



Clemas & Co Ltd

Industrial Cleaning Equipment

Sales - Hire - Service

KERSTAR CV20, 30 & 45 DRY INDUSTRIAL VACUUM CLEANER PARTS MANUAL



Clemas & Co. Unit 5 Ashchurch Business Centre, Alexandra Way, Tewkesbury,
Gloucestershire, GL20 8NB.

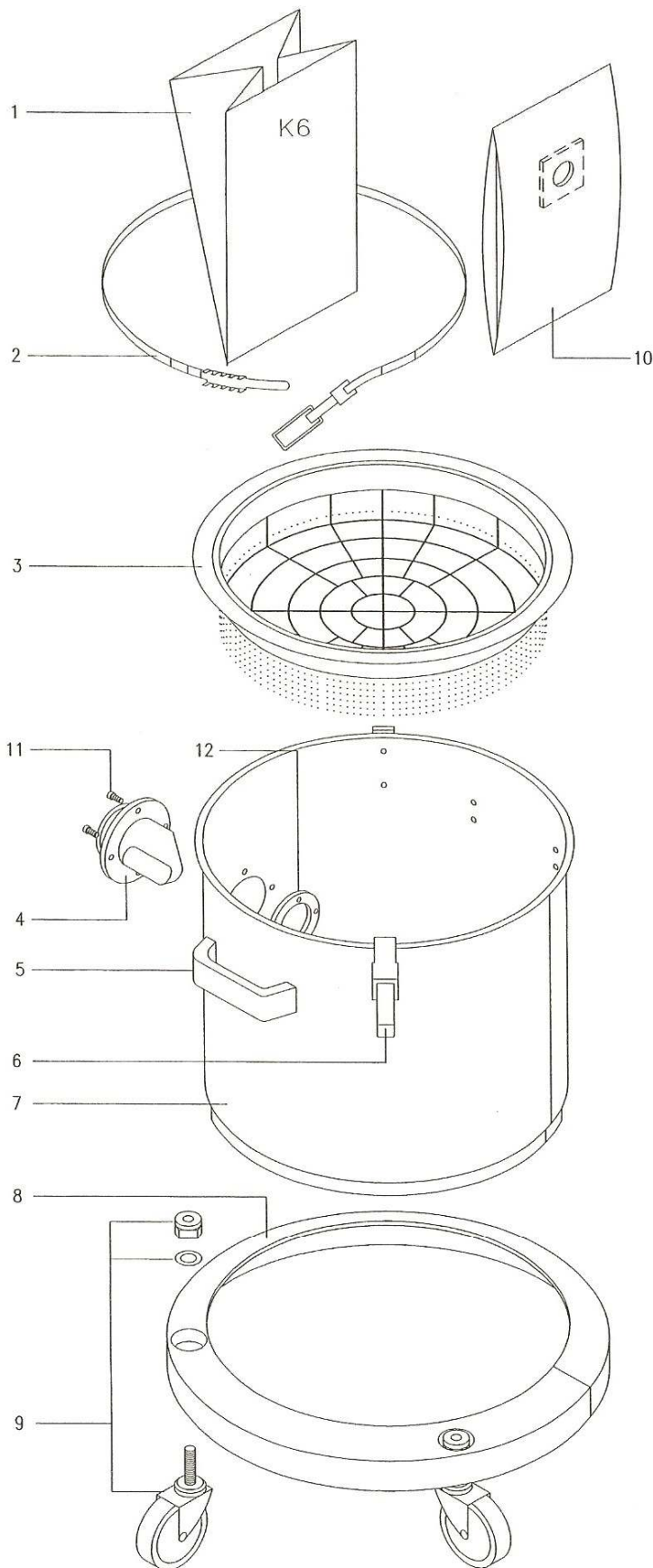
Tel: 01684 850777

Fax: 01684 850707

Email: info@clemas.co.uk

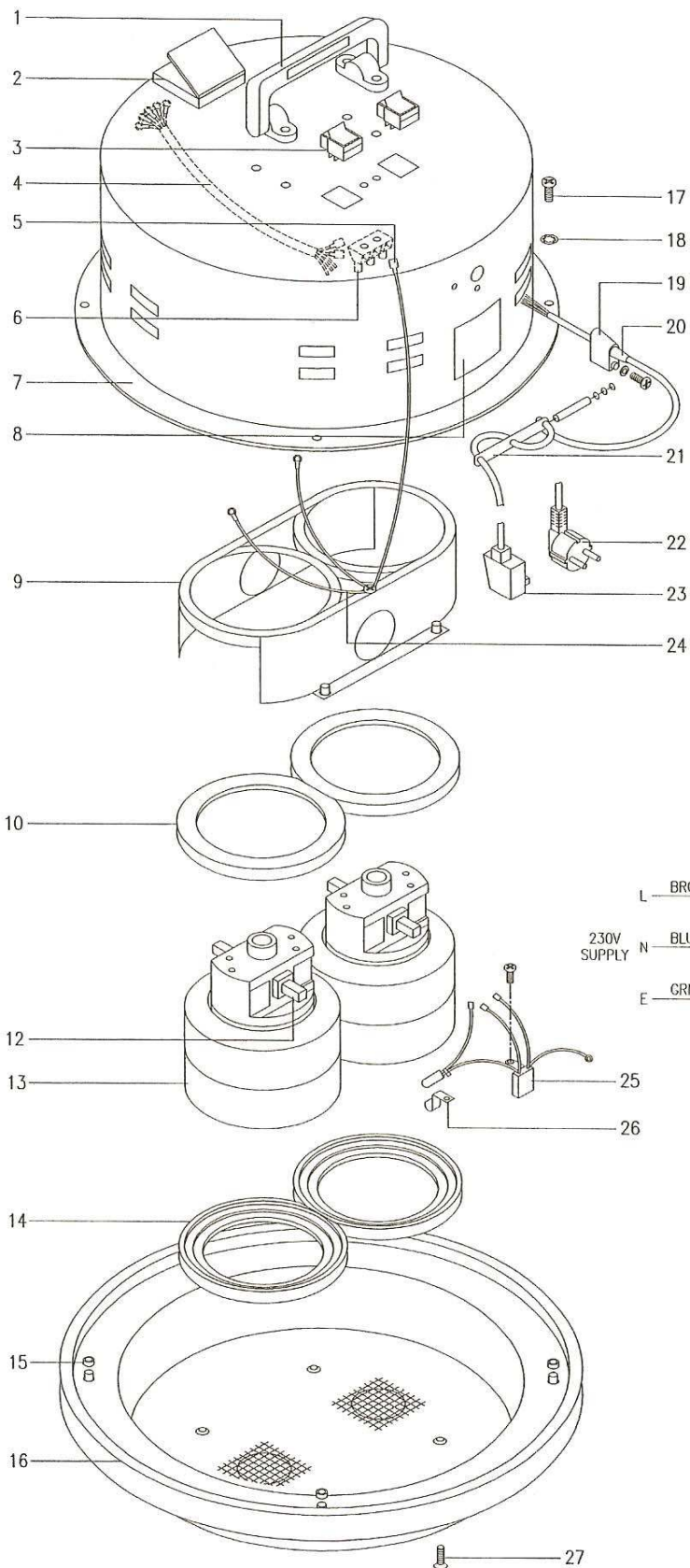
Web: www.clemas.co.uk

KV20/1&2, KV30/1&2 & KV45/1 DRY VAC CAN ON CHASSIS



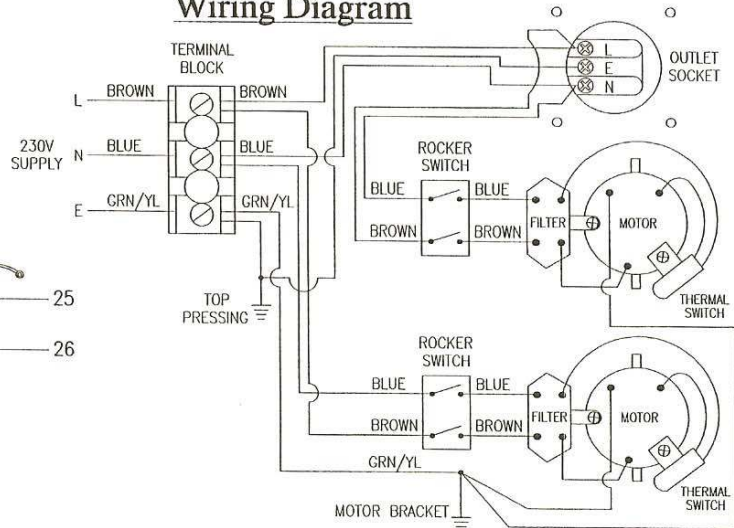
ITEM No	QTY	DESCRIPTION
1	1	K6 PAPER FILTER - FITTED AS STANDARD TO KV20/2, KV30/2 & KV45/2 ONLY
2	1	STRAP FOR 14" CAN - USED IN CONJUNCTION WITH K6 PAPER FILTER
3	1	14" STANDARD FILTER ASSEMBLY MADE UP FROM 2 PARTS:- a. 14" PLASTIC FILTER FRAME b. 14" STANDARD FILTER CLOTH
4	1	DRY VAC HOSE ENTRY SPIGOT
5	2	CURVED SURFACE HANDLE WITH BOLTS & WASHERS
6	2	CLIP:- TYPE 1 TO SUIT PLASTIC HEAD TYPE 2 TO SUIT METAL HEAD
7	1	CAN ASSEMBLY WITH FITTED SPIGOT, CLIPS, & HANDLES. 3 SIZES:- 14" x 12" FOR KV20 14" x 16" FOR KV30 14" x 20" FOR KV45
8	1	CHASSIS COMPLETE TO SUIT ALL 14" DIA CANS
9	4	3" CHASSIS CASTOR WITH NUT & WASHER
10	1	PAPER BAG:- K3 FOR KV20/1 K4 FOR KV30/1 & KV45/1
11	4	No.10 x 1/2" PAN POZI PLASTITE
12	1	HOSE ENTRY SPIGOT RETAINER

METAL VACUUM HEAD FOR DRY VAC MODELS KV20/2, KV30/2 & KV45/2

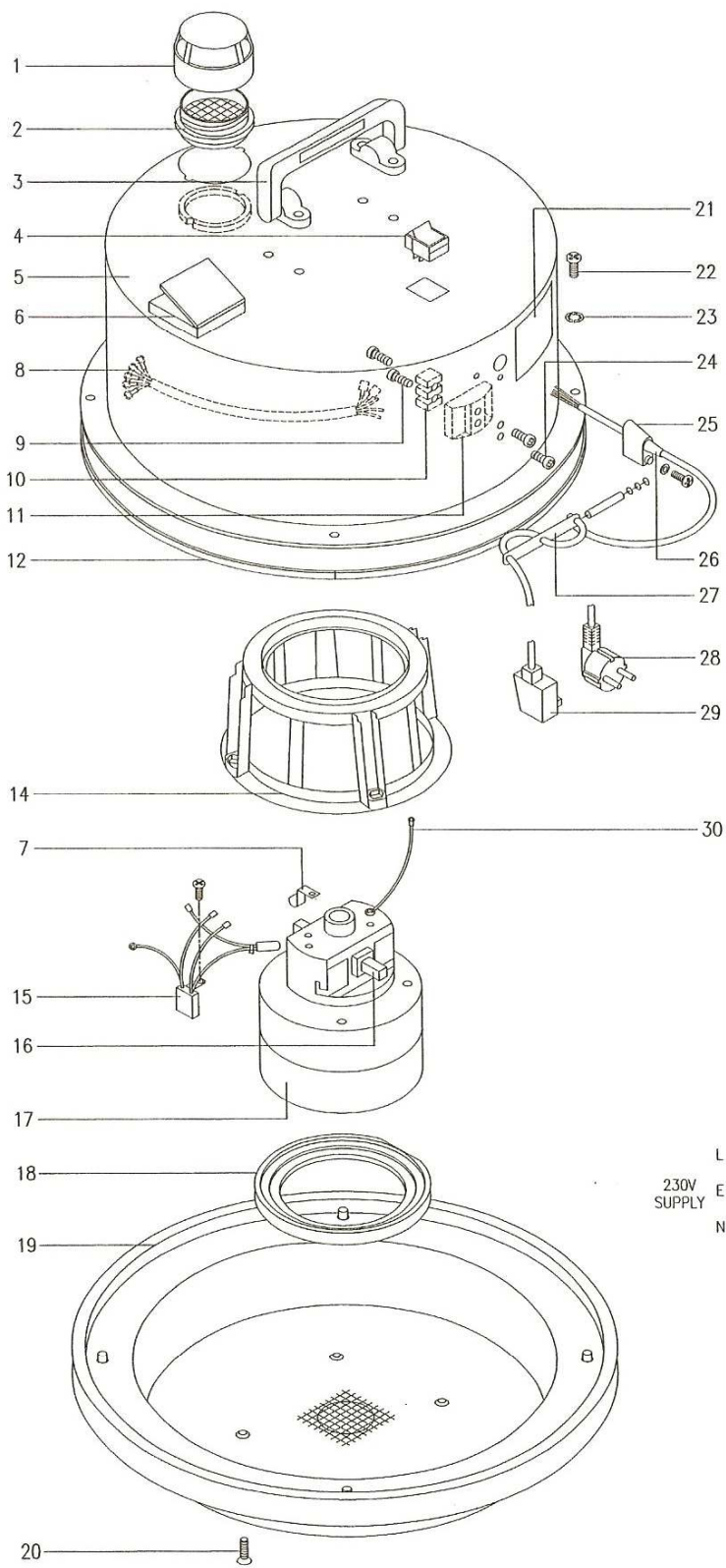


ITEM No	QTY	DESCRIPTION
1	1	FLIP FLOP HANDLE ASSEMBLY PLAIN OR "KERSTAR"
2	1	SCHUKO EUROPEAN OUTLET SOCKET & HINGED COVER
2	1	UK OUTLET SOCKET & HINGED COVER
3	2	DRY VAC ROCKER SWITCH
4	1	WIRING LOOM FOR TERMINAL BLOCK/SOCKET/SWITCH
5	1	EARTH LEAD (400mm)
6	1	TERMINAL BLOCK
7	1	TOP PRESSING WITH LOUVRES (INC. HANDLE)
8	1	"DRY VAC ONLY" LABEL
9	1	TWIN MOTOR BRACKET
10	2	MOTOR MOUNTING RING MK.I
11	-	NOT APPLICABLE TO THIS MODEL
12	1PR	CARBON BRUSHES FOR 230V 1,000W DIRECT AIRFLOW MOTOR
12	1PR	CARBON BRUSHES FOR 110V 1,000W DIRECT AIRFLOW MOTOR
13	2	230V 1,000W DIRECT AIRFLOW MOTOR
13	2	110V 1,000W DIRECT AIRFLOW MOTOR
14	2	MOTOR MOUNTING RING MK.III
15	4	SPACER 4mm
16	1	MOTOR MOUNTING PLATE 2 MOTOR
17	4	M4 x 12 PAN HEAD POZI BZP
18	4	M4 INTERNAL SHAKEPROOF WASHER BZP
19	1	CABLE CLAMP (INC. SCREW & RUBBER GROMMET)
20	1	RUBBER CABLE GROMMET
21	1	CABLE RESTRAINT
22	1	1.5mm ² 3 CORE x 10M CABLE/SCHUKO EUROPEAN PLUG PACK
23	1	1.5mm ² 3 CORE x 10M CABLE/UK PLUG PACK
24	2	EARTH LEAD (270mm)
25	2	230V FILTER/THERMAL SWITCH (M1/608 TYPE)
25	2	110V FILTER/THERMAL SWITCH (M1/619 TYPE)
26	2	RETAINING CLIP FOR THERMAL SWITCH
27	4	M6 x 20 C/SUNK SCREW BZP

Wiring Diagram

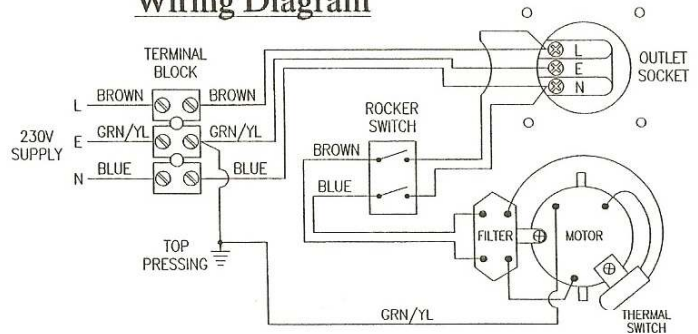


METAL VACUUM HEAD FOR DRY VAC MODELS KV20/1, KV30/1 & KV45/1

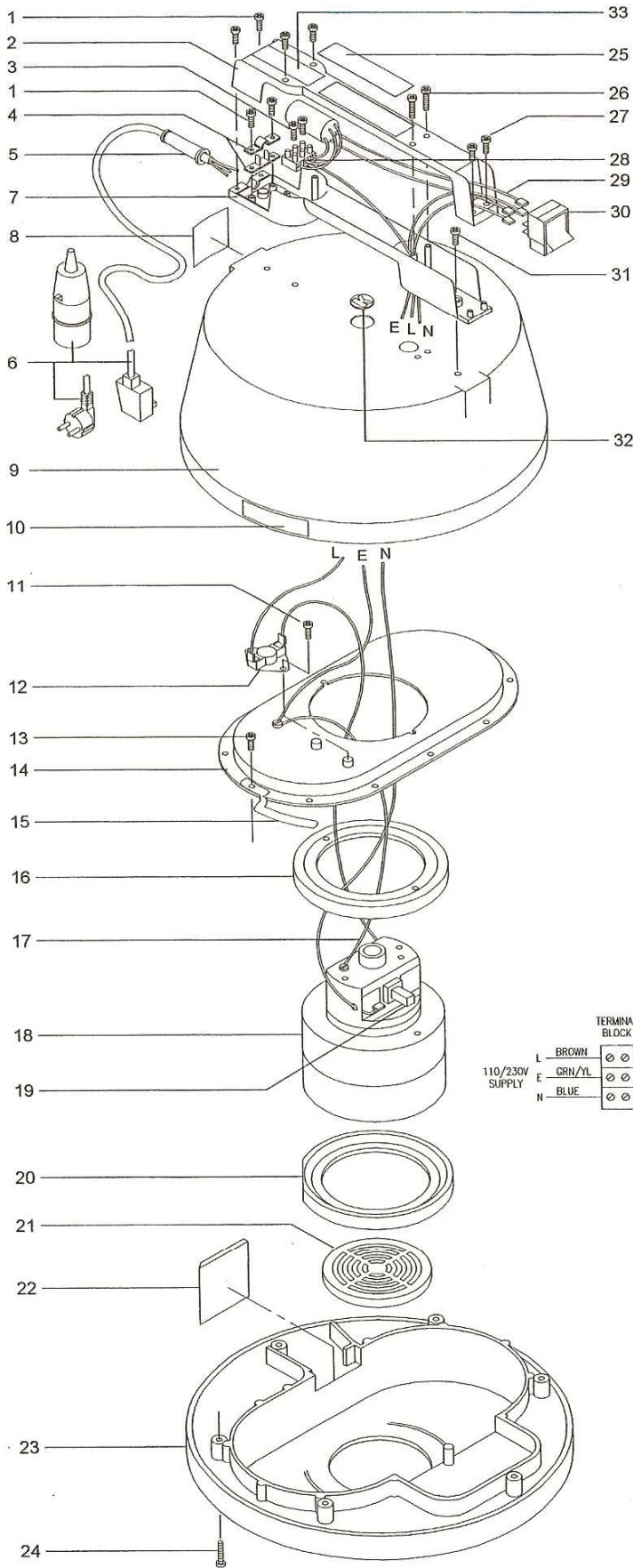


ITEM No	QTY	DESCRIPTION
1	1	DIFFUSER
2	1	EXHAUST BLOWER
3	1	FLIP FLOP HANDLE ASSEMBLY PLAIN OR "KERSTAR"
4	1	DRY VAC ROCKER SWITCH
5	1	TOP PRESSING (INC. HANDLE & EXHAUST BLOWER) WITH HOLE FOR OUTLET SOCKET
5	1	TOP PRESSING (INC. HANDLE & EXHAUST BLOWER) NO OUTLET SOCKET HOLE
5	1	TOP PRESSING WITH LOUVRES (INC. HANDLE) WITH HOLE FOR OUTLET SOCKET
5	1	TOP PRESSING WITH LOUVRES (INC. HANDLE) NO OUTLET SOCKET HOLE
6	1	SCHUKO EUROPEAN OUTLET SOCKET & HINGED COVER
6	1	UK OUTLET SOCKET & HINGED COVER
7	1	RETAINING CLIP FOR THERMAL SWITCH
8	1	WIRING LOOM FOR TERMINAL BLOCK/SOCKET SWITCH
9	2	No.4 x 3/4" PAN HEAD SELF TAP SCREW
10	1	TERMINAL BLOCK
11	1	TERMINAL BLOCK HOLDER
12	1	RUBBER SEAL FOR TOP PRESSING WITH EXHAUST BLOWER 1100mm LONG
13	-	NOT APPLICABLE TO THIS MODEL
14	1	PLASTIC SINGLE MOTOR MOUNTING BRACKET
15	1	230V FILTER/THERMAL SWITCH (M1/608 TYPE)
15	1	110V FILTER/THERMAL SWITCH (M1/619 TYPE)
16	1PR	CARBON BRUSHES FOR 230V 1,000W DIRECT AIRFLOW MOTOR
16	1PR	CARBON BRUSHES FOR 110V 1,000W DIRECT AIRFLOW MOTOR
17	1	230V 1,000W DIRECT AIRFLOW MOTOR
17	1	110V 1,000W DIRECT AIRFLOW MOTOR
18	1	MOTOR MOUNTING RING MK.III
19	1	MOTOR MOUNTING PLATE SINGLE MOTOR
20	4	No.10 x 3/4 C/SUNK POZI PLASTITE
21	1	"DRY VAC ONLY" LABEL
22	4	M4 x 10 PAN HEAD POZI BZP
23	4	M4 INTERNAL SHAKEPROOF WASHER BZP
24	2	No.6 x 1/2" PAN HEAD SELF TAP SCREW BZP
25	1	CABLE CLAMP (INC.SCREW & RUBBER GROMMET)
26	1	RUBBER CABLE GROMMET
27	1	CABLE RESTRAINT
28	1	0.75mm ² 3 CORE x 10M CABLE/SCHUKO EUROPEAN PLUG PACK
29	1	0.75mm ² 3 CORE x 10M CABLE/UK PLUG PACK
30	1	EARTH LEAD (270mm)

Wiring Diagram



VACUUM HEAD FOR MODELS: KV20/1, KV25/1, KV30/1, KV45/1 & KV50/1



ITEM	QTY	DESCRIPTION
1	4	No.6 x 5/8" PLASTITE SCREW
2	1	HANDLE COVER
3	2	No.4 x 3/4" SELF TAP SCREW
4	1	CABLE CLAMP (2 PARTS)
5	1	RUBBER CABLE GROMMET
6	1	CABLE/UK PLUG PACK 0.75 3 CORE x 10M
6	1	CABLE/EURO PLUG PACK 0.75 3 CORE x 10M
6	1	CABLE/16A YELLOW 110V PLUG PACK 1.00 3 CORE x 10M
7	1	HANDLE MOULDING
8	1	"DRY VAC ONLY" LABEL
8	1	"DRY VAC ONLY" LABEL, 4 LANGUAGE ENGLISH, FRENCH, GERMAN & DUTCH
9	1	TOP COVER
10	1	"CLIP HERE TO EARTH BOND CAN" YELLOW LABEL
11	3	M4 x 12 PAN HEAD SCREW
12	1	THERMAL CUTOFF SWITCH
13	13	No.8 x 3/4" PLASTITE SCREW
14	1	SINGLE MOTOR RETENTION PLATE
15	1	EARTHING STRIP FOR CAN (NOT FITTED TO KV25 AND KV50)
16	1	MOTOR MOUNTING RING MK.IV
17	1	EARTH LEAD (270mm)
18	1	230V 1,000W DIRECT AIRFLOW MOTOR
18	1	110V 1,000W DIRECT AIRFLOW MOTOR
19	1PR	CARBON BRUSHES FOR 230V 1,000W D.A.F OR B.P MOTOR
19	1PR	CARBON BRUSHES FOR 110V 1,000W D.A.F OR B.P MOTOR
20	1	MOTOR MOUNTING RING MK.III
21	1	MOTOR GRILL
22	1	BLANKING PLATE LARGE
23	1	MOTOR PLATE FOR SINGLE MOTOR HEAD
24	6	No.8 x 1" PLASTITE SCREW
25	1	ALUMINIUM RATING PLATE
26	4	No.6 x 1" PLASTITE SCREW
27	2	No.6 x 1/2" PLASTITE SCREW
28	1	TERMINAL BLOCK 3 WAY
29	1	FILTER TYPE 206
30	1	DRY VAC ROCKER SWITCH
31	5	No.8 x 3/4" PLASTITE SCREW
32	1	KERSTAR LOGO LABEL
33	1	"110V ONLY" RED ON WHITE LABEL

WIRING DIAGRAM

