

Clemas & Co Ltd

Industrial Cleaning Equipment
Sales - Hire - Service

CT110 BT85 SCRUBBER DRYER PARTS MANUAL



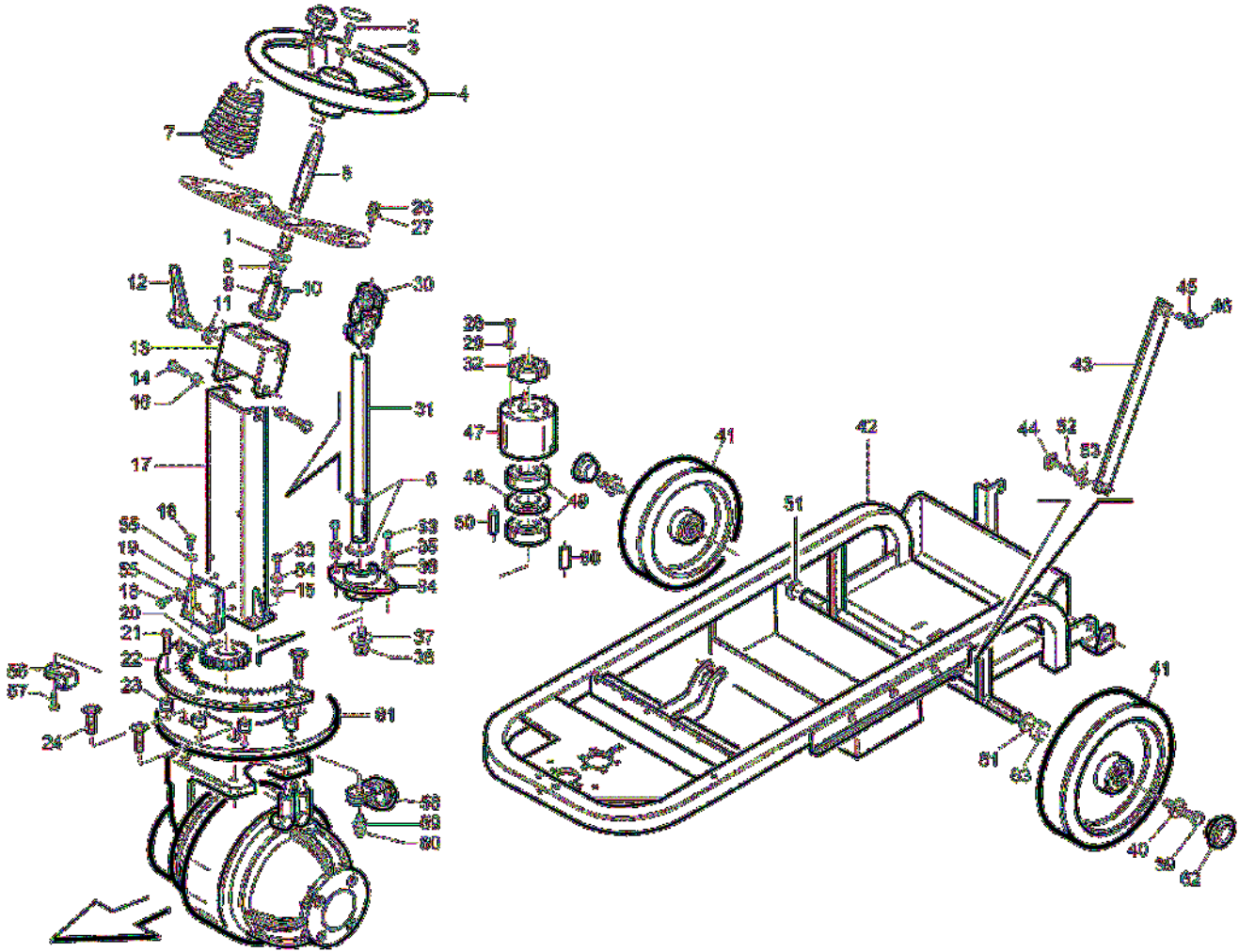
Clemas & Co. Unit 5 Ashchurch Business Centre, Alexandra Way, Tewkesbury,
Gloucestershire, GL20 8NB.

Tel: 01684 850777

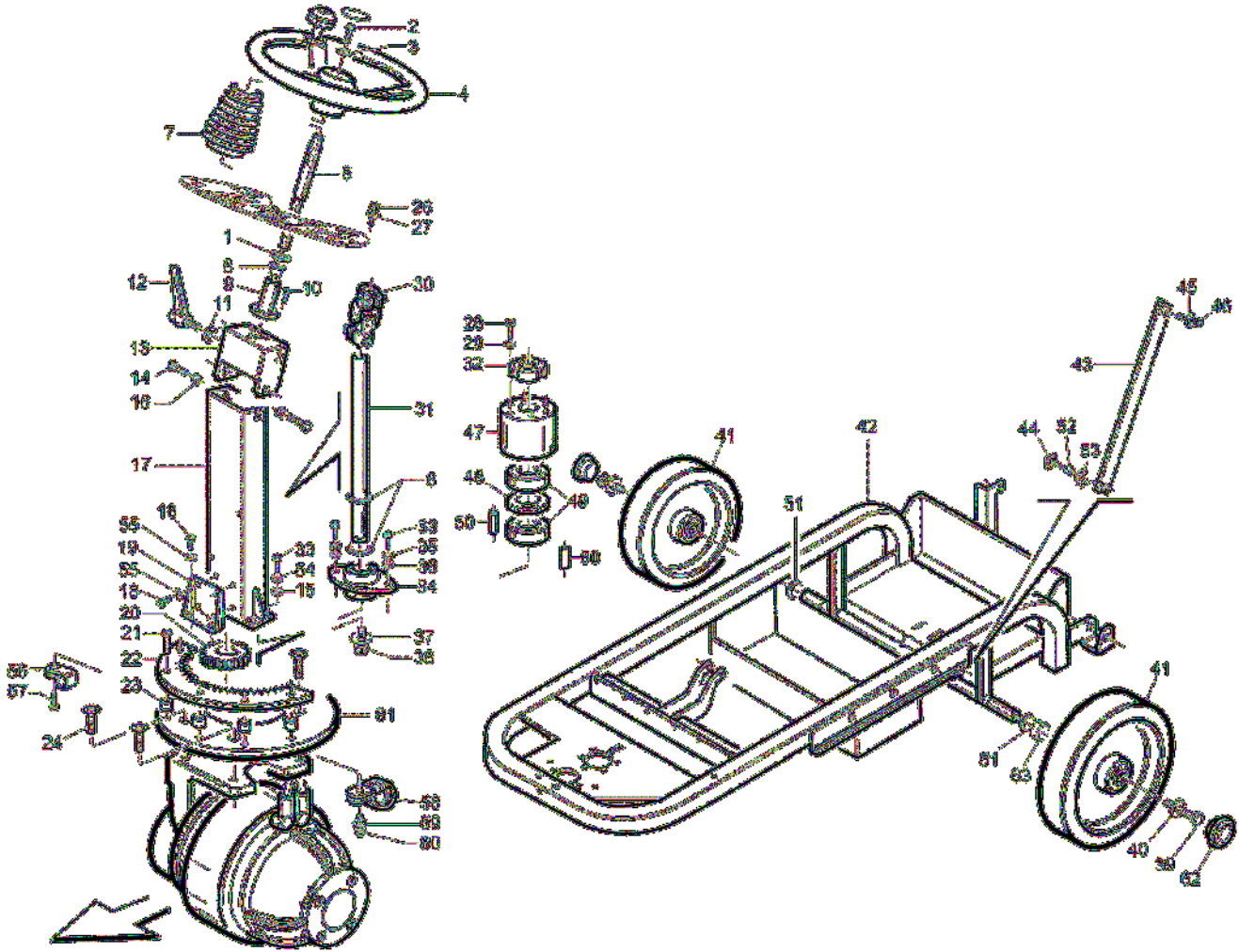
Fax: 01684 850707

Email: info@clemas.co.uk

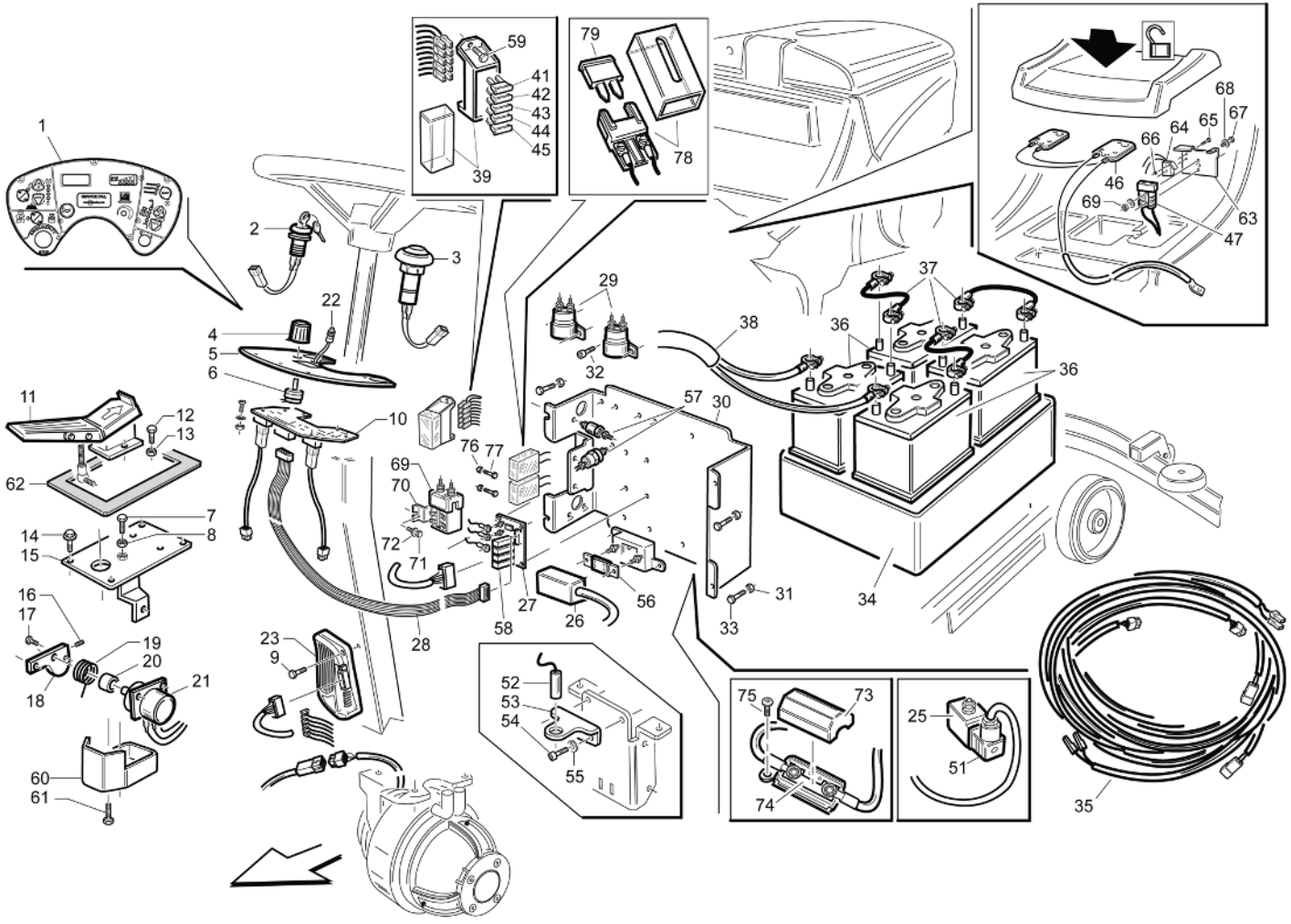
Web: www.clemas.co.uk



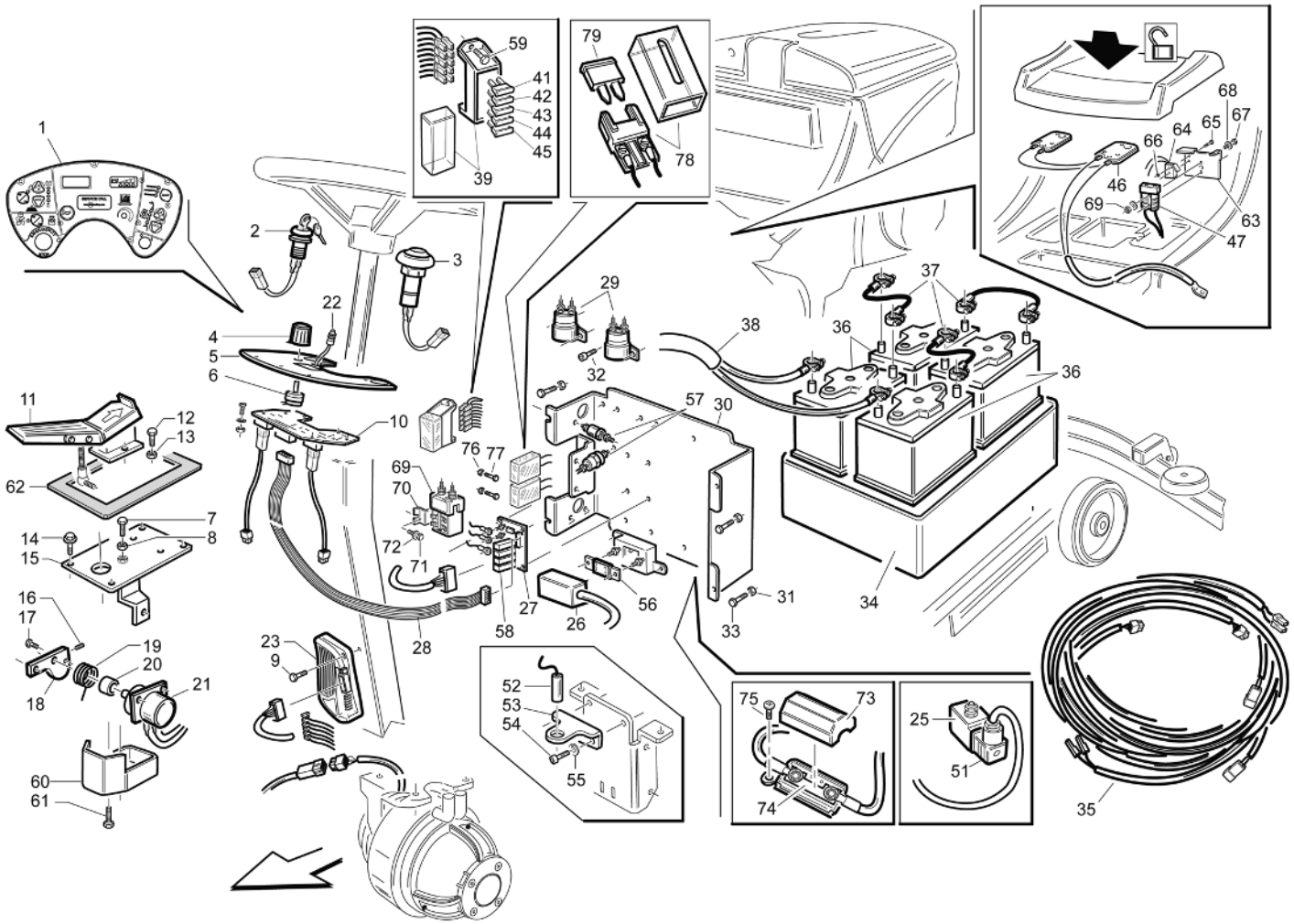
Ref.	K	Part N.	Customer Part N.	Description	Qty	Validity:		Price
						From	To	
0001		VTAE17003		CIRCLIP D. 15 UNI 7435	2,00			--
0002		VTVT00457		SCREW TE M 10X30 ZINC. UNI 5739	1,00			--
0003		VTRS44254		WASHER D.10 X40X2.5 UNI6593	1,00			--
0004		MPVR47027		STEERING WHEEL D. 320 L.14	1,00			--
0005		ALTR00031		SHAFT PER VOLANTE TK 1050 ZINC.	1,00			--
0006		VTAE00032		SEEGER 20	2,00			--
0007		MPVR05237		PROTECTOR -	1,00			--
0008		LAFN75841		BUSHING TK 1000	2,00			--
0009		LAFN00149		BUSHING PORTA PIANTONE TK1050 ZIN	1,00			--
0010		VTVT62920		SCREW TE F/ROND. M 6X 16 ZB	3,00			--
0011		VTRS13946		WASHER D. 8 X24 INX UNI 6593	1,00			--
0012		MPVR05250		HANDLE M8X25	1,00			--
0013		KTRI02058		KIT REGOLAZIONE STERZO CT110	1,00			--
0014		VTVT13936		SCREW TE M 10X 20	2,00			--
0015		VTRS13947		WASHER D. 8 INX UNI 6592	4,00			--
0016		VTDD00493		NUT M10 TEF	2,00			--
0017		LAFN06362		UP STEERING CT110	1,00			--
0018		VTVT13939		SCREW TE 6X20 UNI5739 INX	6,00	03/2010		--
0018		VTVT15143		SCREW TE 6X16 UNI5739	6,00		03/2010	--
0019		LAFN06508		BRACKET PIANTONE	1,00			--
0020		LAFN06377		PINION STERZO	1,00			--
0021		VTVT00062		SCREW TSCE UNI 5933 6X25 ZB	5,00			--
0022		LAFN06373		BRAKE CT110	1,00			--
0023		LAFN06844		SPACER CORONA	5,00			--
0024		VTVT00263		SCREW TSPEI M10x30	4,00			--
0026		VTVT37012		SCREW M 4X 10 TCB-TC INX	5,00			--
0027		VTRS00515		WASHER D. 4 INX	5,00			--
0028		VTVT00410		SCREW TE M8x35 UNI5739 INOX	5,00			--
0029		VTRS15146		WASHER D. 8 INX GRW UNI 1751	5,00			--
0030		VTVR00057		ARTICULATION CARDANICO	1,00			--
0031		LAFN06374		SHAFT STERZO	1,00			--
0032		VTVR75747		RING NUT AUTOBLOK M 35 X 1,5 GUK	1,00			--
0033		VTVT13938		SCREW TE 8X20 UNI5739 INX	4,00			--
0034		CUVR00105		SUPPORT	1,00			--
0035		VTRS15146		WASHER D. 8 INX GRW UNI 1751	2,00			--
0036		VTRS13947		WASHER D. 8 INX UNI 6592	2,00			--
0037		VTVT16937		WASHER 6x24 INOX UNI 6593	1,00			--
0038		VTVT15143		SCREW TE 6X16 UNI5739	1,00			--
0039		VTVT03640		SCREW TE 10X25 UNI5740	2,00	05/2011		--



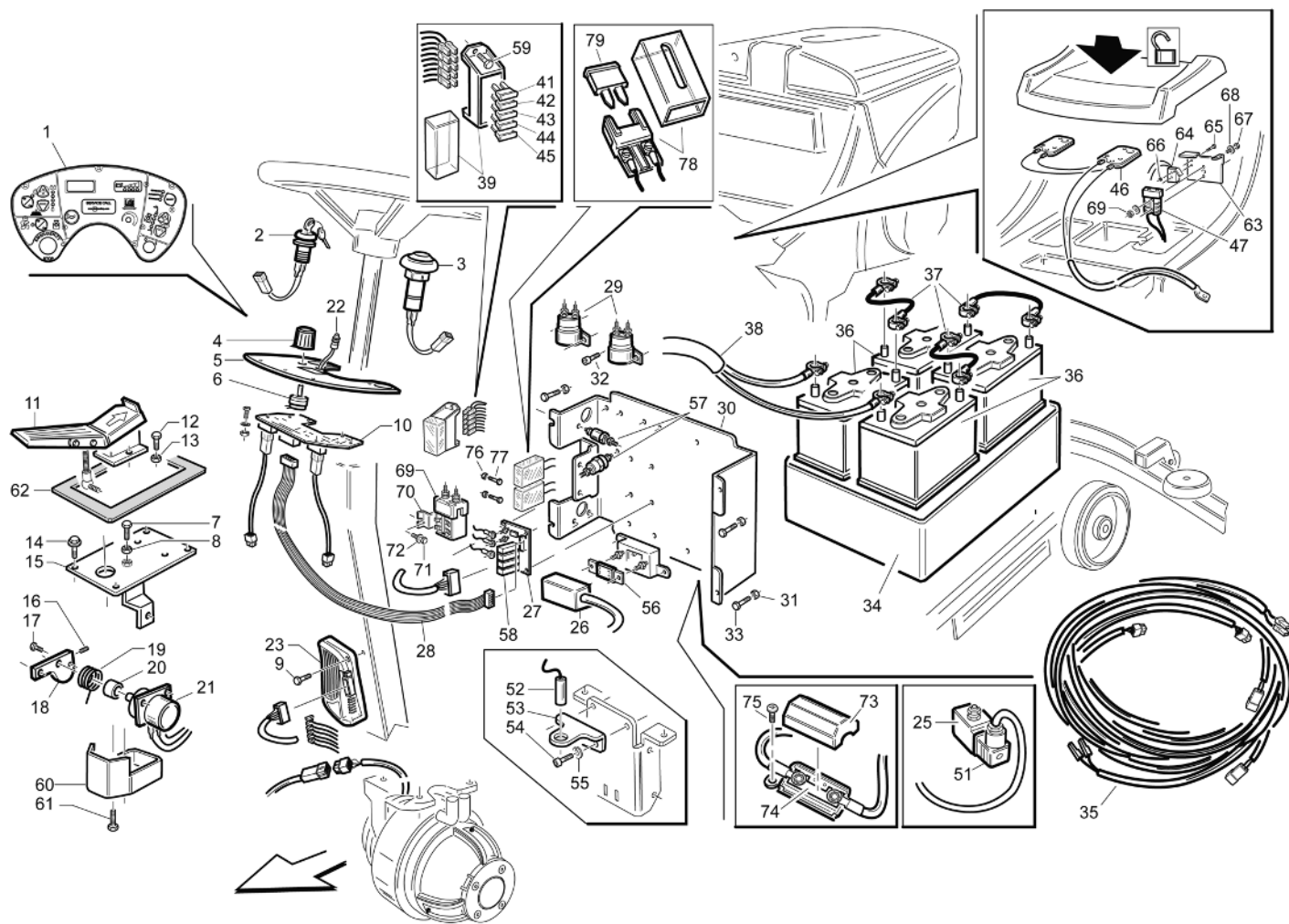
Ref.	K	Part N.	Customer Part N.	Description	Qty	Validity:		Price
						From	To	
0039		VTVT13936		SCREW TE M 10X 20	2,00		05/2011	--
0040		LAFN04144		WASHER RUOTE POSTERIORI	2,00			--
0041		RTRT00507		WHEEL D.300 H=70	2,00		05/2011	--
0041		RTRT00539		WHEEL -	2,00	05/2011		--
0042		LAFN06360		FRAME CT110	1,00			--
0043		LAFN06427		LEVER CT110	1,00			--
0044		LAFN04147		SCREW ASTA SERBATOIO P185	1,00		11/2010	--
0044		VTVT15916		SCREW TE M 8X 16 UNI 5739 A2	1,00	11/2010		--
0045		VTRS00502		WASHER D. 5 0.466 UNI 6592	1,00			--
0046		VTVT00005		SCREW TE FR 5X12 ZB	1,00			--
0047		LAFN06522		PLATE CT110	1,00			--
0048		LAFN06523		SPACER Ø48 X Ø36,5 X 20	1,00			--
0049		CUVR00120		BEARING 6007-2RS1	2,00			--
0050		LAFN06387		BUSHING STERZO	2,00			--
0051		VTAE00018		SEEGER E25x1,2 DIN471	2,00			--
0052		LAFN04148		BUSHING ASTA SERBATOIO P185	1,00			--
0053		VTRS00506		WASHER D.12 UNI 6592	1,00		11/2010	--
0053		VTRS13946		WASHER D. 8 X24 INX UNI 6593	1,00	11/2010		--
0054		VTRS13947		WASHER D. 8 INX UNI 6592	4,00			--
0055		VTRS00245		WASHER D.6 UNI 6592 INOX	6,00			--
0056		MPVR02933		DUCT LOCK D.9,5	2,00			--
0057		VTVT37012		SCREW M 4X 10 TCB-TC INX	2,00			--
0058		FSVR00043		CLAMP d.16	1,00			--
0059		VTRS15144		WASHER D. 6 INX GRW UNI 1751	1,00			--
0060		VTVT15906		SCREW TE 6X 12 A2 UNI 5739	1,00			--
0061		LAFN06364		PLATE STERZO	1,00			--
0062		MPVR05951		FLAP CT15	2,00	05/2011		--
0063		LAFN08995		ARM PORTARUOTA TERGI P185	2,00	05/2011		--



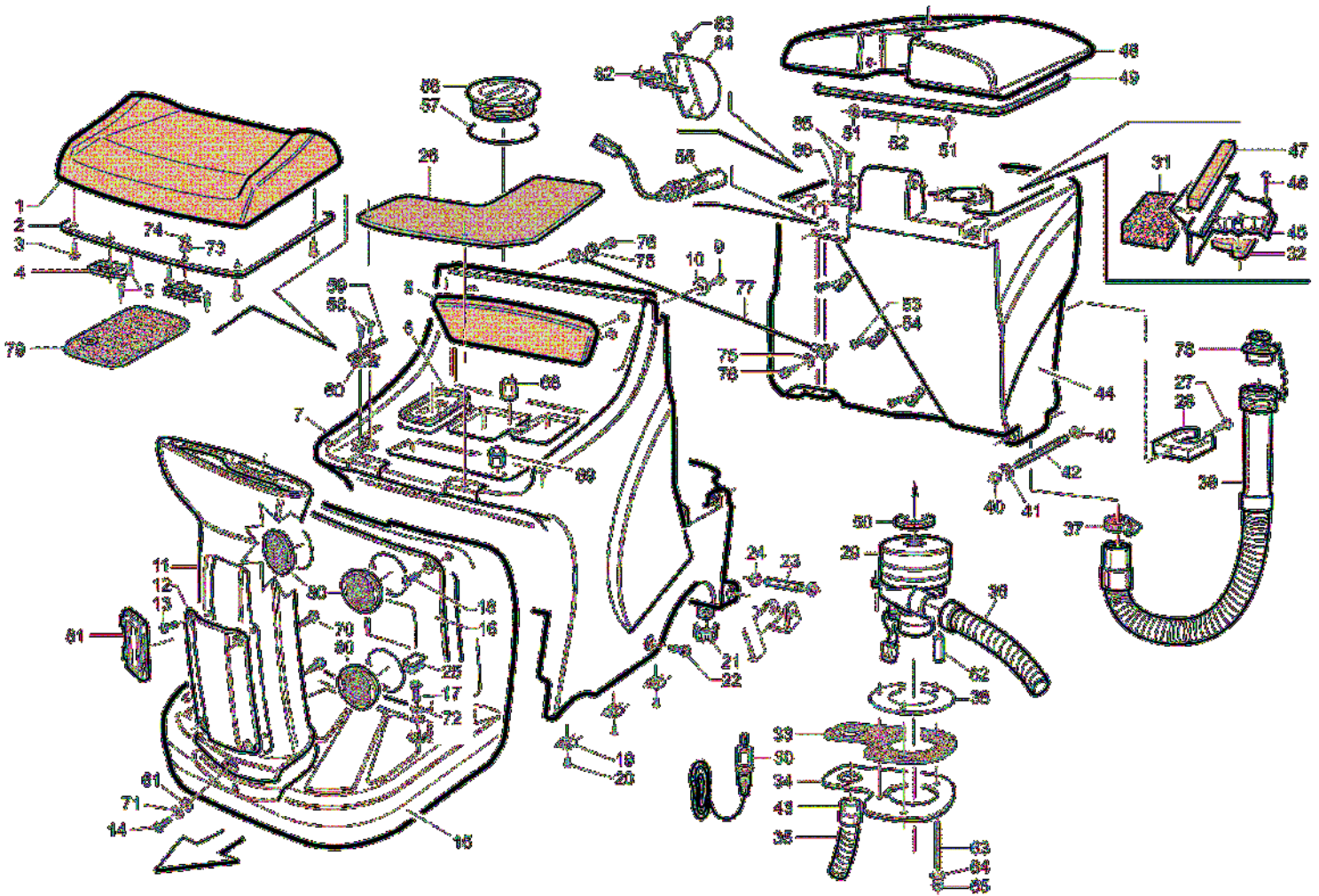
Ref.	K	Part N.	Customer Part N.	Description	Qty	Validity:		Price
						From	To	
0001		ETET01485		LABEL -	1,00			--
0002		MECI75805		SWITCH TK	1,00			--
0003		MECI00028		BUTTON DI EMERGENZA TK1400 24V	1,00			--
0004		KTRI01935		KIT 1050-1202	1,00			--
0005		LAFN06408		PLATE -	1,00			--
0006		MEVR01941		POTENTIOMETER 100K	1,00			--
0007		VTVT13937		SCREW TE M 8X 30 INX UNI 5739	1,00			--
0008		VTDD01696		NUT M 8 INX	1,00			--
0009		VTVT00727		SCREW TE M. 4-20	2,00			--
0010		MECE00451		BOARD	1,00			--
0011		LAFN06429		PEDALE CT110	1,00			--
0012		VTVT15143		SCREW TE 6X16 UNI5739	2,00			--
0013		VTDD15518		NUT M 6 INX	2,00			--
0014		VTVT00005		SCREW TE FR 5X12 ZB	4,00			--
0015		LAFN06521		SUPPORT ACCELERATORE	1,00			--
0016		VTVT00911		GRUB SCREW M4X8	1,00			--
0017		VTVT00727		SCREW TE M. 4-20	2,00			--
0018		LAFN06371		CONNECTING ROD POTENZIOMETRO	1,00			--
0019		MLML00301		SPRING ACCELLERATORE	1,00		04/2010	--
0019		MLML00327		SPRING -	1,00	04/2010		--
0020		MPVR05236		BUSHING -	1,00		04/2010	--
0020		MPVR05786		BUSHING	1,00	04/2010		--
0021		MEVR01700		POTENTIOMETER 0-5K	1,00			--
0023		MECE00450		BOARD	1,00			--
0025		MEEV00018		SOLENOID VALVE	1,00			--
0026		MEVR00146		FUSE-HOLDER MEGA	1,00			--
0027		MECE00452		BOARD	1,00			--
0028		MECB01021		CABLE FLAT	1,00		10/2008	--
0028		MECB01099		CABLE FLAT	1,00	10/2008		--
0029		METT45116		CONTACTOR 24V T106 P	2,00	05/2009		--
0029		METT45116		CONTACTOR 24V T106 P	3,00		05/2009	--
0030		LAFN06503		PLATE ELETTRONICA	1,00			--
0032		VTVT00005		SCREW TE FR 5X12 ZB	8,00			--
0033		VTVT00005		SCREW TE FR 5X12 ZB	4,00			--
0034		MPVR05217		CONTAINER BATTERIA	1,00			--
0035		MECB01015		WIRING CT110	1,00			--
0036		BAAC00005		BATTERY 6 V 180 AH (C5)	4,00			--
0036		BAAC00074		BATTERY 6V 180 AH IN 5H	4,00			--
0037		MEVR34820		WIRING B 450 BT	3,00			--



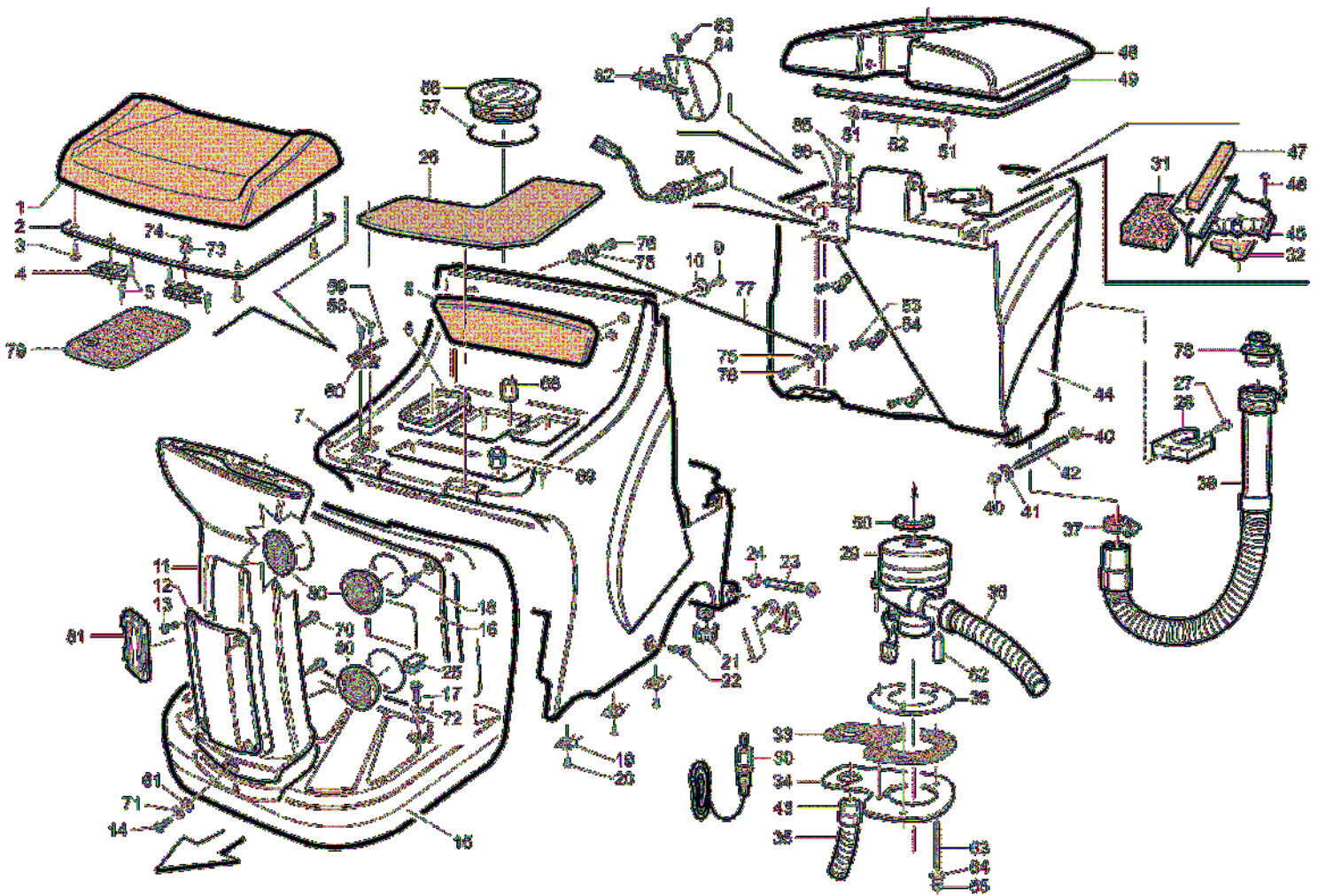
Ref.	K	Part N.	Customer Part N.	Description	Qty	Validity:		Price
						From	To	
0038		MECB01015		WIRING CT110	1,00			--
0039		MEVR00567		FUSE-HOLDER 6 VIE	1,00			--
0040		MEVR01136		FUSE 30A	1,00		10/2011	--
0041		MEVR01136		FUSE 30A	1,00		10/2011	--
0041		MEVR01428		FUSE A LAMA 2 A. UNIVAL	1,00	10/2011		--
0042		MEVR00327		FUSE 25A	1,00			--
0043		MEVR00584		FUSE 3A	1,00			--
0044		MEVR00584		FUSE 3A	1,00			--
0045		MEVR00584		FUSE 3A	1,00			--
0046		MEVR00148		DASHBOARD SEDILE	1,00			--
0047		MEVR01079		PLUG M CB50 A 600V RD.	1,00			--
0051		MECB01015		WIRING CT110	1,00			--
0052		MECI00405		SENSOR -	1,00			--
0053		LAFN06386		SUPPORT -	1,00			--
0054		VTVT15143		SCREW TE 6X16 UNI5739	2,00			--
0055		VTRS15144		WASHER D. 6 INX GRW UNI 1751	2,00			--
0056		MEVR00145		FUSE 100A	1,00			--
0057		MEVR47082		INSULATOR M6 35-CH32	1,00			--
0058		MECE00456		RELAY CT110	4,00			--
0059		VTVT00005		SCREW TE FR 5X12 ZB	2,00			--
0060		MPVR05235		COVER -	1,00			--
0061		VTVT00005		SCREW TE FR 5X12 ZB	2,00			--
0062		GUVR00292		GASKET CT110	1,00			--
0063		LAFN07362		PLATE ANDERSON	1,00			--
0064		MECI00334		MICROSWITCH V4	1,00			--
0065		VTVT00671		SCREW TC- M.2-16 OTTONE	2,00			--
0066		VTDD08634		NUT M2	2,00			--
0067		VTVT01350		SCREW M3-20 INOX	2,00			--
0068		VTRS21116		WASHER D. 3 INX	2,00			--
0069		MECI00532		CONTACTOR 24V-100A	1,00	05/2009		--
0070		LAFN07743		BRACKET -	1,00	05/2009		--
0071		VTVT01669		CARRYNG BAG	2,00	05/2009		--
0072		VTRS00501		WASHER D. 4 0.232 UNI 6592	2,00	05/2009		--
0073		MEVR31036		FUSE-HOLDER	1,00			--
0074		MEVR02042		FUSE 40A NST.	1,00			--
0075		VTVT00079		SCREW AUTOF.TC UNI6954 3,9X22	1,00			--
0076		VTDD01693		NUT M 5 INX	2,00	10/2011		--
0077		VTVT01300		SCREW TE M5X12 INOX	2,00	10/2011		--
0078		MEVR00613		FUSE CARRIER MAXIVAL with cover	2,00	10/2011		--



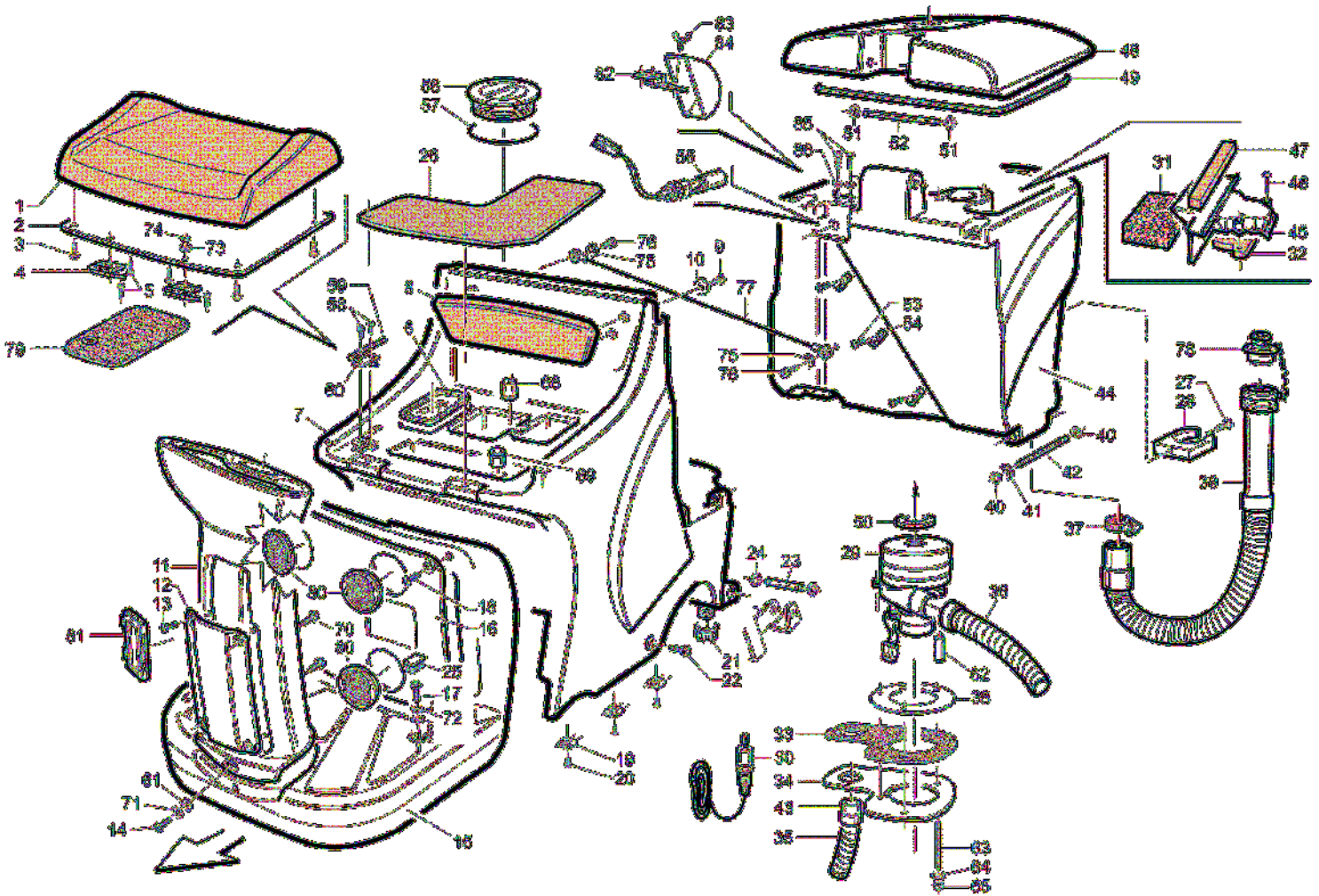
Ref. K	Part N.	Customer Part N.	Description	Qty	Validity:		Price
					From	To	
0079	MEVR02048		FUSE 40A	2,00	10/2011		--



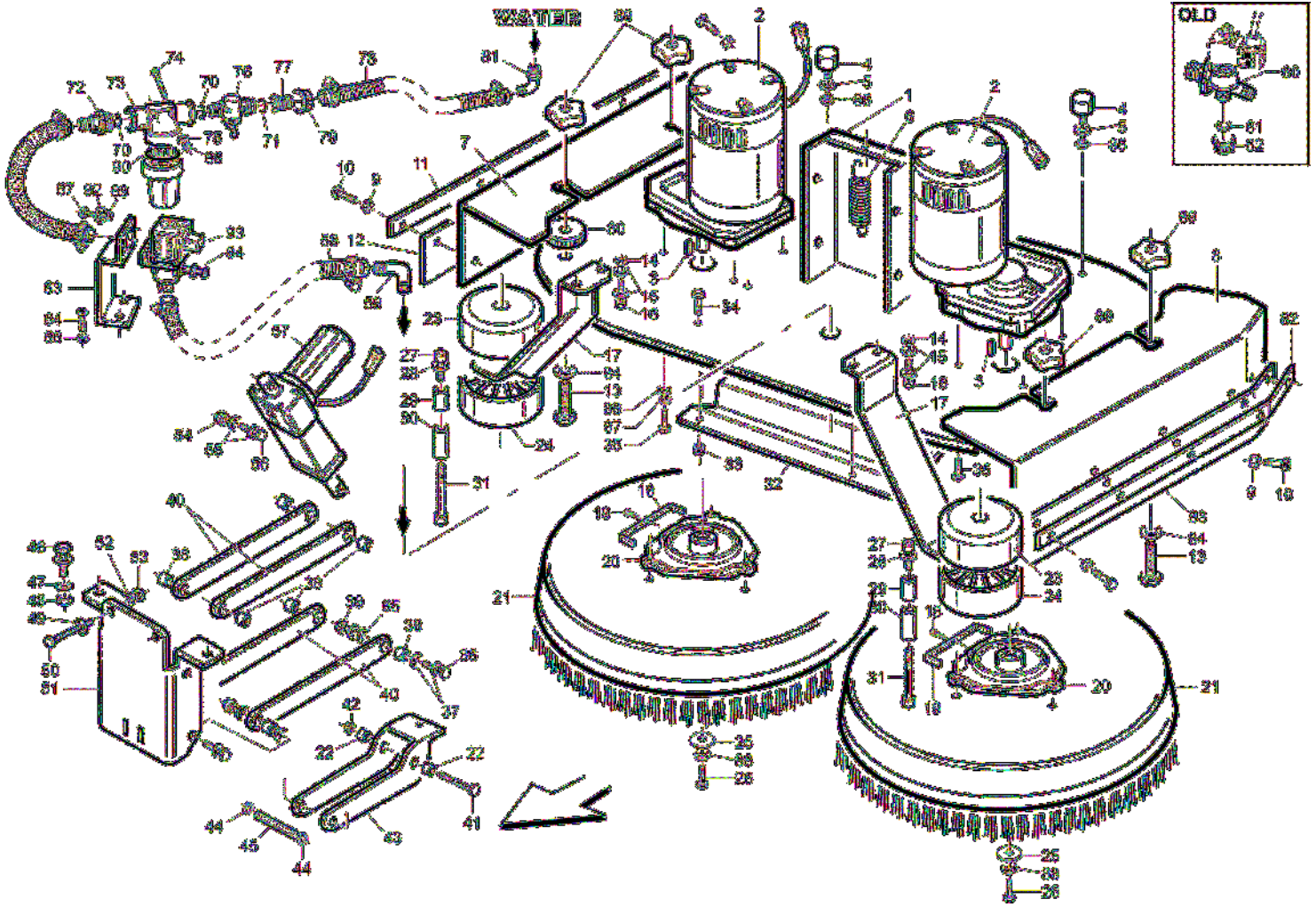
Ref.	K	Part N.	Customer Part N.	Description	Qty	Validity:		Price
						From	To	
0001		SESD00021		SEAT	1,00			--
0002		LAFN06430		PLATE CT110	1,00			--
0003		VTVT15143		SCREW TE 6X16 UNI5739	4,00			--
0004		CEVR00060		HINGE PORTA SEDILE P185	2,00			--
0005		VTVT01317		SCREW M 5X 12 TSPEI UNI 5933	4,00			--
0006		GUVR00284		GASKET CT110	1,00			--
0007		MPVR05201		TANK CT110	1,00			--
0008		SESD00020		SHEET METAL PA.CLEANTIME	1,00			--
0009		VTVT00433		SCREW TE M 6X 30 UNI 5739 INX	2,00			--
0010		VTRS13945		WASHER D. 6X18 INX UNI 6593	4,00			--
0011		MPVR05203		SIDE PANEL CT110	1,00			--
0012		MPVR05205		COVER SCHEDE POTENZA	1,00			--
0013		VTVT00005		SCREW TE FR 5X12 ZB	4,00			--
0014		VTVT15142		SCREW TE M 6x45 INOX	1,00			--
0015		MPVR05204		PLANE CT110	1,00			--
0016		MPVR05206		COVER PANNELLO ELETTRONICA	1,00		11/2011	--
0016		MPVR05986		TANK -	1,00	11/2011		--
0017		VTVT00433		SCREW TE M 6X 30 UNI 5739 INX	2,00			--
0018		VTVT00005		SCREW TE FR 5X12 ZB	4,00			--
0019		FSVR00243		CLAMP 20/30	3,00			--
0020		VTVT37012		SCREW M 4X 10 TCB-TC INX	3,00			--
0021		KTRI03463		CAP SCARICO SERBATOIO SOLUZ.	1,00		10/2011	--
0021		MPVR07073		CAP -	1,00	11/2011		--
0022		VTVT00005		SCREW TE FR 5X12 ZB	1,00			--
0023		LAFN06433		PIN ROTAZIONE	2,00			--
0024		VTAE06761		CIRCLIP D. 18 UNI 7435	4,00			--
0025		MPVR05314		CAP STR35X25	2,00			--
0026		MPVR05315		ROD CT110	1,00			--
0027		VTVT15924		SCREW M 4X 16 TCB-TC UNI 7687	1,00			--
0028		MPVR05252		CLIP D.60	1,00			--
0029		MEVR05200		CARBON MOTORE ASP.AMET.116599-13	1,00			--
0029		MOCC00273		MOTOR 3 ST.24V 116598-13	1,00			--
0030		MECI00533		SENSOR VS303-51N	1,00			--
0031		FTDP00133		FILTER	1,00			--
0032		GUGO00417		GASKET SCATOLA ASPIRAZIONE	1,00			--
0033		MPVR05103		SOUND-PROOFING ASPIRATORE	1,00			--
0034		LAFN06363		FLANGE ASPIRATORE	1,00			--
0035		TBFX00244		TUBE D 34 L200MM	1,00			--
0036		TBFX00244		TUBE D 34 L200MM	1,00			--



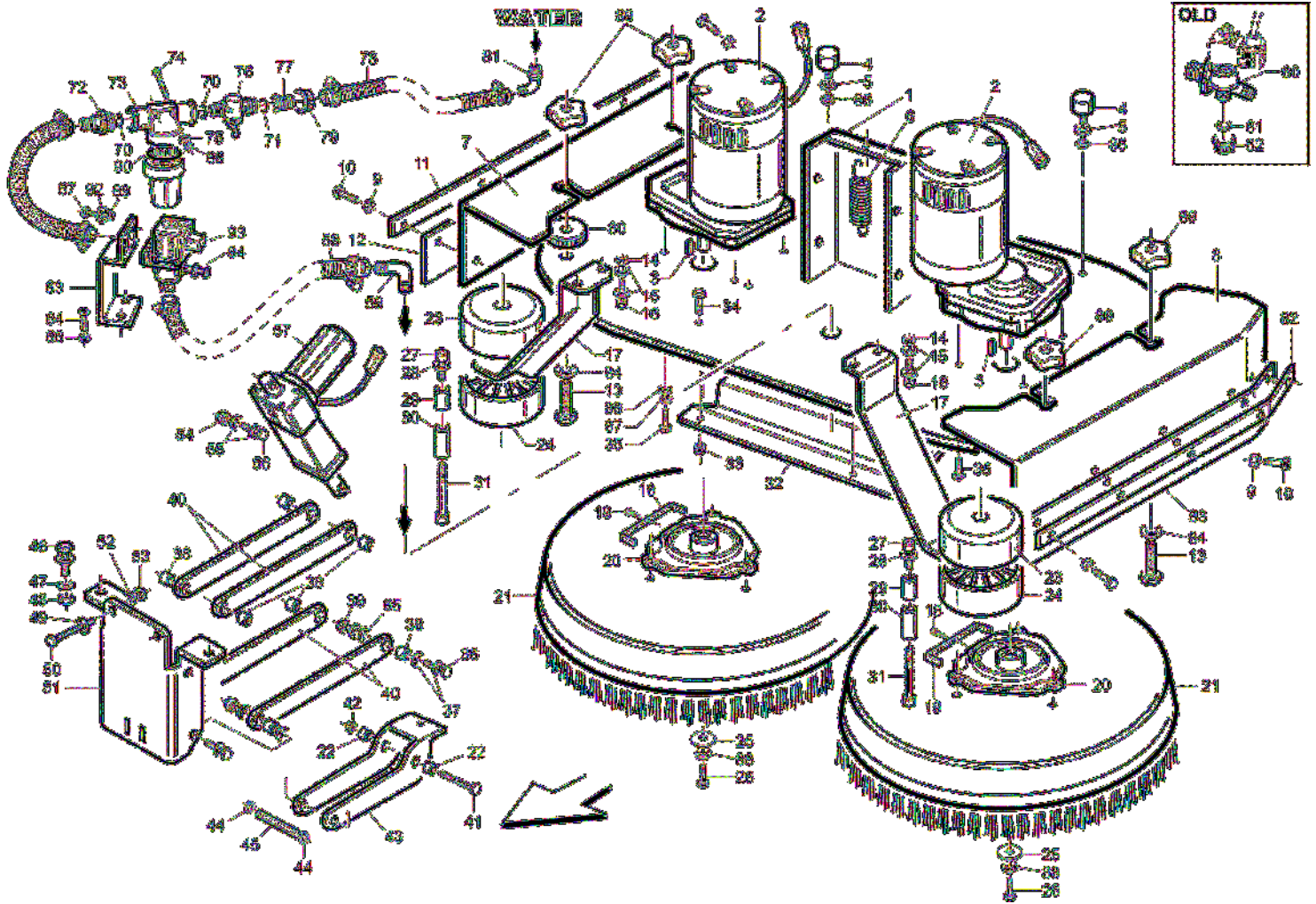
Ref.	K	Part N.	Customer Part N.	Description	Qty	Validity:		Price
						From	To	
0037		FSVR00033		CLAMP 45-60	1,00			--
0038		MPVR04724		FLANGE IN NYLON	1,00			--
0039		TBBP00401		TUBE ACQUA SPORCA	1,00			--
0040		VTAE14096		CIRCLIP D. 8 UNI 7435	2,00			--
0041		VTRS13947		WASHER D. 8 INX UNI 6592	1,00			--
0042		LAFN06434		PIN ROTAZIONE	1,00			--
0043		MPVR31077		BUSHING L.450	1,00			--
0044		MPVR05200		TANK CT110	1,00			--
0045		FTDP00185		BOX ASPIRAZIONE	1,00		01/2009	--
0045		MPVR05482		BOX -	1,00	01/2009		--
0046		VTVT01325		SCREW TCEI 5X35 INOX UNI5931	2,00			--
0047		GUGO00418		GASKET CONDOTTO ASPIRAZIONE	1,00			--
0048		MPVR05202		COVER CT110	1,00			--
0049		GUVR00272		GASKET CT110	1,00			--
0050		GUGO00272		GASKET	1,00			--
0051		VTVR00536		SEEGER 8	2,00			--
0052		LAFN06509		PIN ROTAZIONE	1,00			--
0053		VTVT37012		SCREW M 4X 10 TCB-TC INX	3,00			--
0054		MPVR02933		DUCT LOCK D.9,5	3,00			--
0055		MECI00516		SENSOR DI LIVELLO ORIZZONTALE	1,00			--
0056		MPVR05212		CAP -	1,00		06/2009	--
0057		GUVR00287		GASKET CT110	1,00		06/2009	--
0058		VTVT00849		SCREW M 4X 10 TSPEI INX U.5933	2,00			--
0059		LAFN06431		ROD CT110	1,00			--
0060		LAFN06432		PLATE CT110	1,00			--
0061		VTRS13945		WASHER D. 6X18 INX UNI 6593	1,00			--
0062		LAFN51077		SPACER PH	3,00			--
0063		VTVT00785		ROD FILETTO	3,00			--
0064		VTRS13945		WASHER D. 6X18 INX UNI 6593	3,00			--
0065		VTDD15518		NUT M 6 INX	3,00			--
0068		MPVR05273		CAP CT110	1,00			--
0069		MPVR05272		CAP CT110	1,00		12/2011	--
0069		MPVR07079		CRANKCASE FRONTALE 705 GRIGIO	1,00	12/2011		--
0070		VTVT62920		SCREW TE F/ROND. M 6X 16 ZB	4,00			--
0071		VTRS15144		WASHER D. 6 INX GRW UNI 1751	1,00			--
0072		VTRS15144		WASHER D. 6 INX GRW UNI 1751	2,00			--
0073		VTRS00502		WASHER D. 5 0.466 UNI 6592	2,00			--
0074		VTDD15517		NUT M 5 INX	2,00			--
0075		VTRS13947		WASHER D. 8 INX UNI 6592	4,00			--



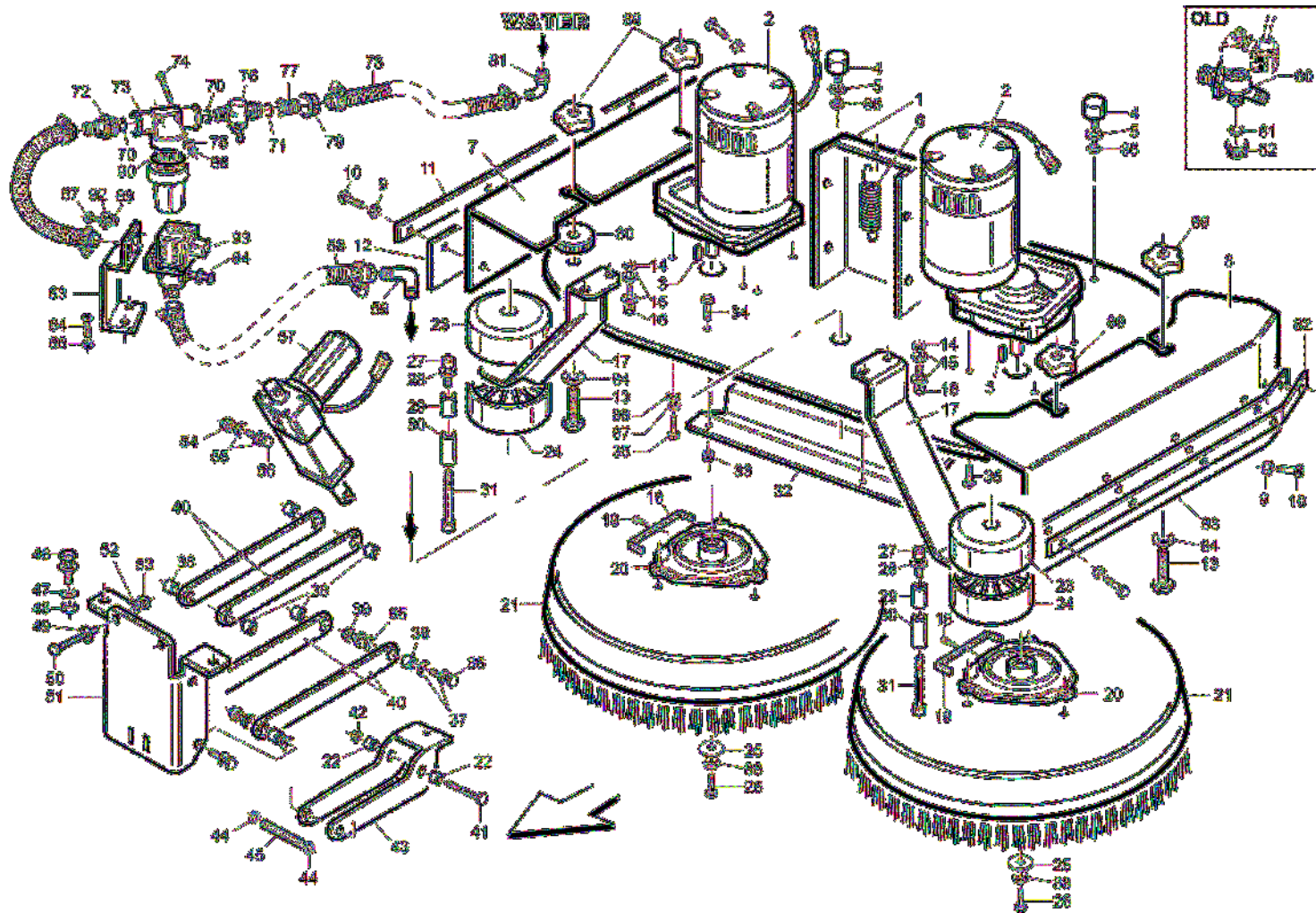
Ref.	K	Part N.	Customer Part N.	Description	Qty	Validity:		Price
						From	To	
0076		VTVT13938		SCREW TE 8X20 UNI5739 INX	2,00			--
0077		CMCV00427		CABLE CT 110	1,00			--
0078		MPVR05380		CAP CT110	1,00			--
0079		GUGO00313		MOUSSE CT110	1,00	07/2008		--
0080		LAFN02931		BRACKET FAN COOLER	3,00			--
0081		MEVR00232		DOOR TO REMOVE AND RESET FUSE	1,00	06/2008		--
0082		LAFN07737		BRACKET -	1,00	06/2009		--
0083		VTVT01150		SCREW 4x10	1,00	06/2009		--
0084		MPVR05596		PROTECTION -	1,00	06/2009		--
0085		VTVT15961		SCREW M 5X 16 TCB TC UNI 7687	2,00	06/2009		--
0086		VTRS15908		WASHER D. 5 INX GRW UNI 1751	2,00	06/2009		--



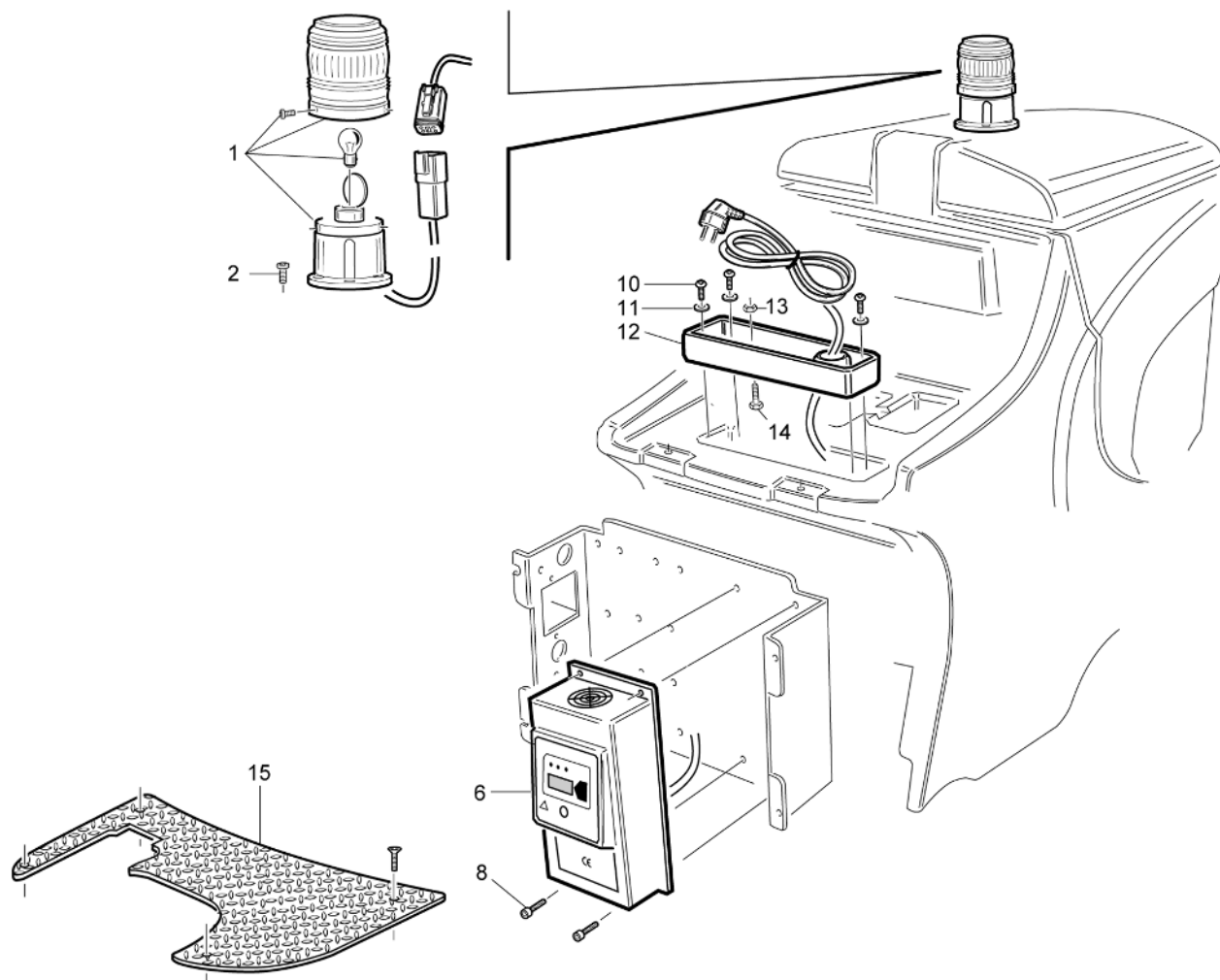
Ref.	K	Part N.	Customer Part N.	Description	Qty	Validity:		Price
						From	To	
0001		LAFN06428		PLATE 820	1,00			--
0002		MOCC00143		MOTOR MRP6 V24	2,00		06/2008	--
0002		MOCC00330		MOTOR -	2,00	06/2008		--
0002		MOCC00344		BRUSH -	1,00			--
0003		VTVR16617		KEY 6X 6X30 UNI 6604	2,00			--
0004		ABGO00019		VIBRATION DAMP.40x30 M8x2845 SH	2,00			--
0005		VTRS15146		WASHER D. 8 INX GRW UNI 1751	2,00			--
0006		MLML00241		SPRING TESTATA SPAZZOLA P185	1,00			--
0007		LAFN07047		FLANGE -	1,00	12/2008		--
0007		LAFN07053		PLANE DX TESTATA 820	1,00		12/2008	--
0008		LAFN07049		FLANGE -	1,00	12/2008		--
0008		LAFN07054		PLANE SX TESTATA 820	1,00		12/2008	--
0009		VTDD01694		NUT M 6 INX	10,00			--
0010		VTVT15143		SCREW TE 6X16 UNI5739	10,00			--
0011		LAFN07057		PLATE FLAP DX TESTATA 820	1,00		12/2008	--
0011		LAFN07082		FLANGE -	1,00	12/2008		--
0012		MPVR05168		FLAP DX TESTATA 820	1,00			--
0013		VTVT00469		SCREW TE M 12X 60 INX UNI 5739	4,00		01/2012	--
0013		VTVT01167		SCREW TCB T 5X30	4,00	02/2012		--
0015		VTRS15146		WASHER D. 8 INX GRW UNI 1751	4,00			--
0016		VTVT13938		SCREW TE 8X20 UNI5739 INX	4,00			--
0017		LAFN06502		SUPPORT 820	2,00			--
0018		VTVT21887		SCREW TCB-TC 4X10 8112	2,00			--
0019		MLML00230		SPRING ANTISGANCIO 70 X FLANGIA	2,00			--
0020		MFVR00212		DRIVE DISK	2,00			--
0021		SPPV00417		BRUSH NYLON	2,00			--
0022		LAFN04187		SPACER PER RIDUTTORE	2,00			--
0023		RTRT00502		WHEEL ANTIRIBALTAMENTO	2,00		04/2008	--
0023		RTRT00510		WHEEL ANTIRIBALTAMENTO	2,00	04/2008		--
0024		MPVR02894		ROLLER PARACOLPI	2,00		04/2008	--
0024		MPVR05295		WHEEL PARACOLPI	2,00	04/2008		--
0025		VTRS13946		WASHER D. 8 X24 INX UNI 6593	2,00			--
0026		VTVT13938		SCREW TE 8X20 UNI5739 INX	2,00			--
0027		VTVT01118		SCREW TCEI M 8X16 ZC. UNI 5931	2,00			--
0028		VTRS13947		WASHER D. 8 INX UNI 6592	2,00			--
0029		LAFN06472		PIN RUOTA	2,00			--
0030		LAFN07060		SPACER RUOTA PARACOLPI	2,00			--
0031		VTVT77509		SCREW TE 8X60 UNI5739	2,00			--
0032		LAFN06506		CONVEYOR 820	1,00			--



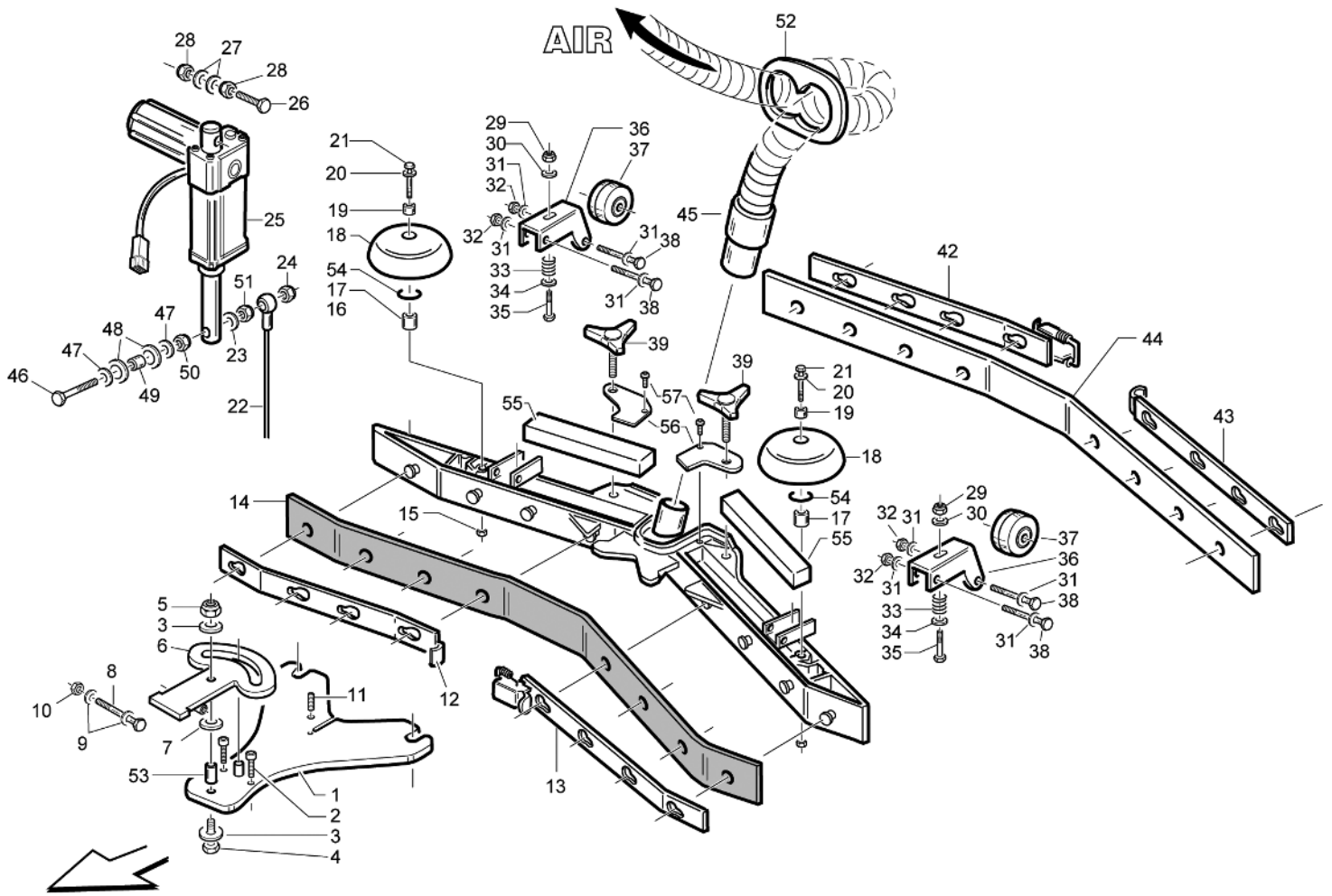
Ref.	K	Part N.	Customer Part N.	Description	Qty	Validity:		Price
						From	To	
0033		VTDD01694		NUT M 6 INX	4,00			--
0034		VTVT15143		SCREW TE 6X16 UNI5739	4,00			--
0035		VTVT15143		SCREW TE 6X16 UNI5739	8,00			--
0036		VTVT13937		SCREW TE M 8X 30 INX UNI 5739	4,00			--
0037		VTRS13947		WASHER D. 8 INX UNI 6592	16,00			--
0038		LAFN04151		BUSHING X PARALLELOGRAMMA	8,00			--
0039		VTDD15521		NUT M 8 INX A2 UNI 5588	4,00			--
0040		LAFN06370		LEVER PARALLELOGRAMMA	4,00			--
0041		VTVT15142		SCREW TE M 6x45 INOX	2,00			--
0042		VTDD15518		NUT M 6 INX	1,00			--
0043		LAFN05781		ARM ATTUATORE	1,00		03/2009	--
0043		LAFN07636		ARM -	1,00	03/2009		--
0044		VTAE13511		CIRCLIP D. 10 UNI 7435	2,00			--
0045		LAFN51065		PIN INFER.ATTUAT.TEST.	1,00			--
0046		VTVT13937		SCREW TE M 8X 30 INX UNI 5739	2,00			--
0047		VTRS13947		WASHER D. 8 INX UNI 6592	8,00			--
0048		VTDD01696		NUT M 8 INX	4,00			--
0049		VTRS13947		WASHER D. 8 INX UNI 6592	8,00			--
0050		VTVT13937		SCREW TE M 8X 30 INX UNI 5739	2,00			--
0051		LAFN06383		ARM TESTATA	1,00			--
0052		VTRS13947		WASHER D. 8 INX UNI 6592	2,00			--
0053		VTDD01694		NUT M 6 INX	2,00			--
0054		VTDD15521		NUT M 8 INX A2 UNI 5588	1,00			--
0055		VTRS13946		WASHER D. 8 X24 INX UNI 6593	2,00			--
0056		VTVT00410		SCREW TE M8x35 UNI5739 INOX	1,00			--
0057		MOCC00323		ATUATOR	1,00			--
0058		TBFX48011		TUBE FLEX D.12X3 ARMORV.PVC TR	0,18			--
0059		RCVR45752		HOSE FITTING "L" 3/8M - D.10 PLS.	1,00			--
0060		MEEV00018		SOLENOID VALVE	1,00		10/2011	--
0061		GUGO00268		GASKET D.21 SP.3 GOMMA	1,00		10/2011	--
0062		RCVR00353		CAP 1/2"G X ELETTRIV. ACL	1,00		10/2011	--
0063		LAFN05835		BRACKET PORTAELETTROVALVOLA	1,00			--
0064		VTVT15906		SCREW TE 6X 12 A2 UNI 5739	1,00			--
0065		VTRS13946		WASHER D. 8 X24 INX UNI 6593	2,00			--
0066		VTDD15518		NUT M 6 INX	1,00			--
0067		VTDD15925		NUT M 4 INX	2,00			--
0068		VTDD01694		NUT M 6 INX	2,00			--
0069		VTVT00817		SCREW TE M4x12 UNI 5739 INOX	2,00			--
0070		GUGO36290		O-RING D. 17.04 X 3.53 NBR 70SH	2,00			--



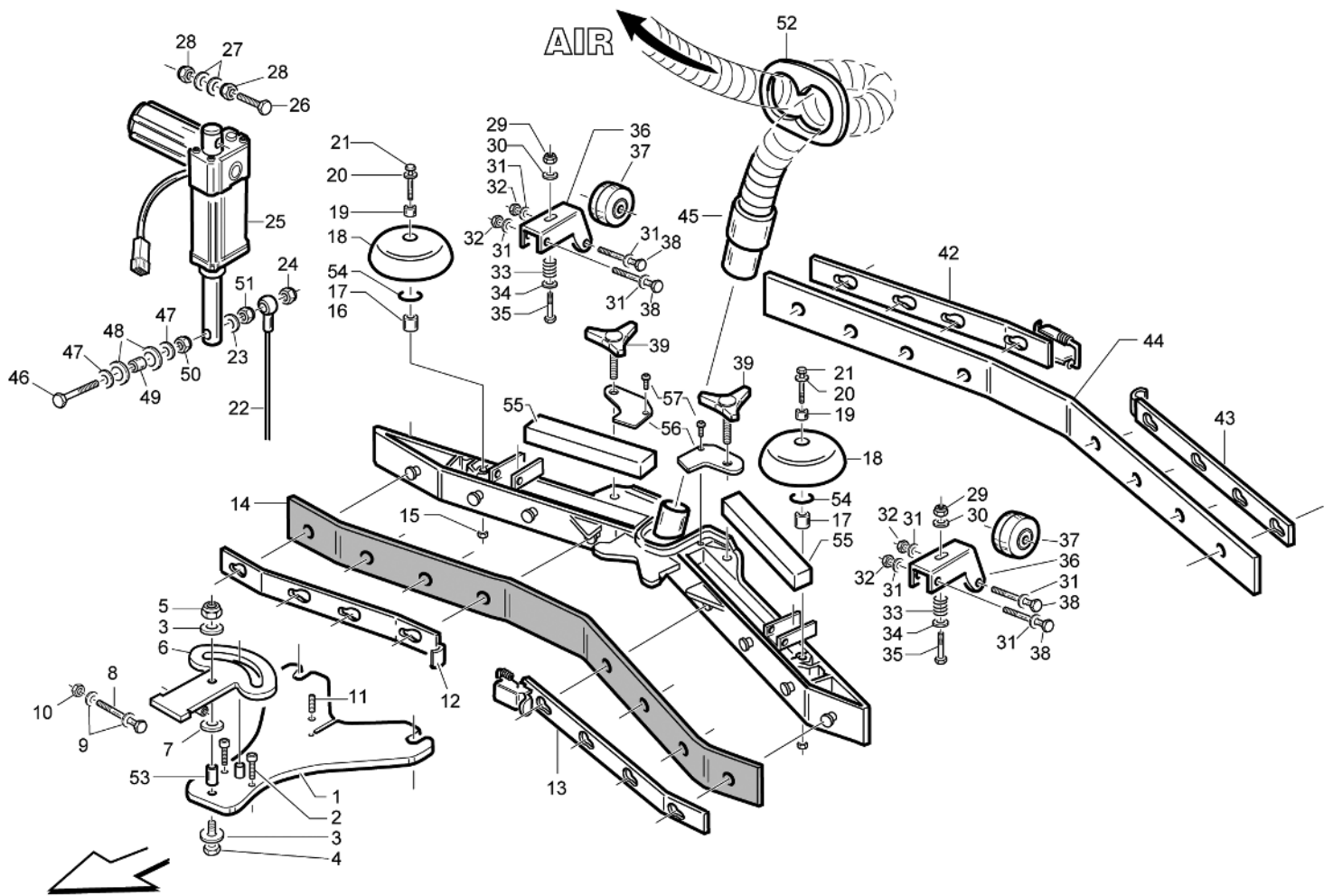
Ref.	K	Part N.	Customer Part N.	Description	Qty	Validity:		Price
						From	To	
0071		GUGO00427		GASKET -	1,00			--
0072		RCVR00540		CONNECTOR	1,00			--
0073		FTAC00038		FILTER G1/2 INOX	1,00			--
0074		VTVT00699		SCREW TE M. 6-70	2,00			--
0075		VTRS13945		WASHER D. 6X18 INX UNI 6593	2,00			--
0076		RCGR00078		TAP -	1,00			--
0077		RCVR00744		CONNECTOR -	1,00			--
0078		TBFX48011		TUBE FLEX D.12X3 ARMORV.PVC TR	0,45			--
0079		MPVR05240		RING NUT G1/2	1,00			--
0080		MPVR05312		ROD M12	4,00	04/2011		--
0080		VTRS05905		WASHER ZIGRINATA	4,00		04/2011	--
0081		RCVR00109		CURVE 90°	1,00			--
0082		LAFN07058		PLATE FLAP SX TESTATA 820	1,00		12/2008	--
0082		LAFN07083		FLANGE -	1,00	12/2008		--
0083		MPVR05169		FLAP SX TESTATA 820	1,00			--
0084		VTRS15978		WASHER D.12X24 UNI 6592 INX	2,00			--
0085		VTDD15521		NUT M 8 INX A2 UNI 5588	2,00			--
0086		VTRS13945		WASHER D. 6X18 INX UNI 6593	8,00			--
0087		VTRS15144		WASHER D. 6 INX GRW UNI 1751	8,00			--
0088		VTRS15146		WASHER D. 8 INX GRW UNI 1751	2,00			--
0089		MPVR05461		KNOB -	4,00	09/2008		--
0090		GUVR00311		GASKET FTAC00038	1,00			--
0093		MEEV00044		SOLENOID VALVE	1,00	10/2011		--
0094		MEEV00044		SOLENOID VALVE	1,00	10/2011		--



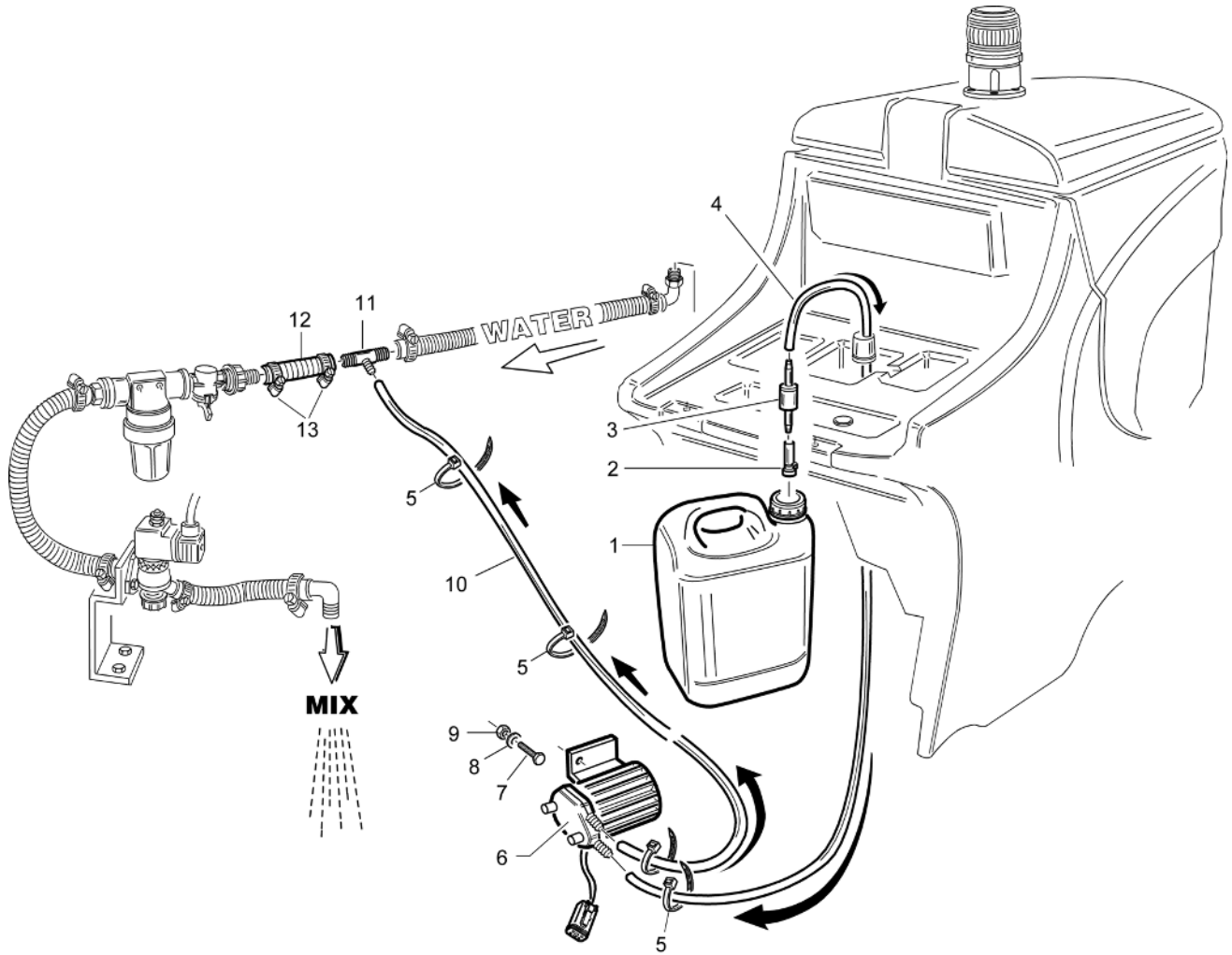
Ref.	K	Part N.	Customer Part N.	Description	Qty	Validity:		Price
						From	To	
0001		MEVR00935		FLASHING LIGHT G1050	1,00			--
0002		VTVT35376		SCREW TCB-TC 3.5X25	3,00			--
0006		BACA00117		BATTERY-CHARGER	1,00			--
0008		VTVT01300		SCREW TE M5X12 INOX	3,00			--
0010		VTVT07852		SCREW TCB-TC 4,8X16 BRN	4,00			--
0011		VTRS00516		WASHER D. 5 INX	4,00			--
0012		MPVR05213		CONTAINER -	1,00			--
0015		LAFN07414		PLANE CT110	1,00			--



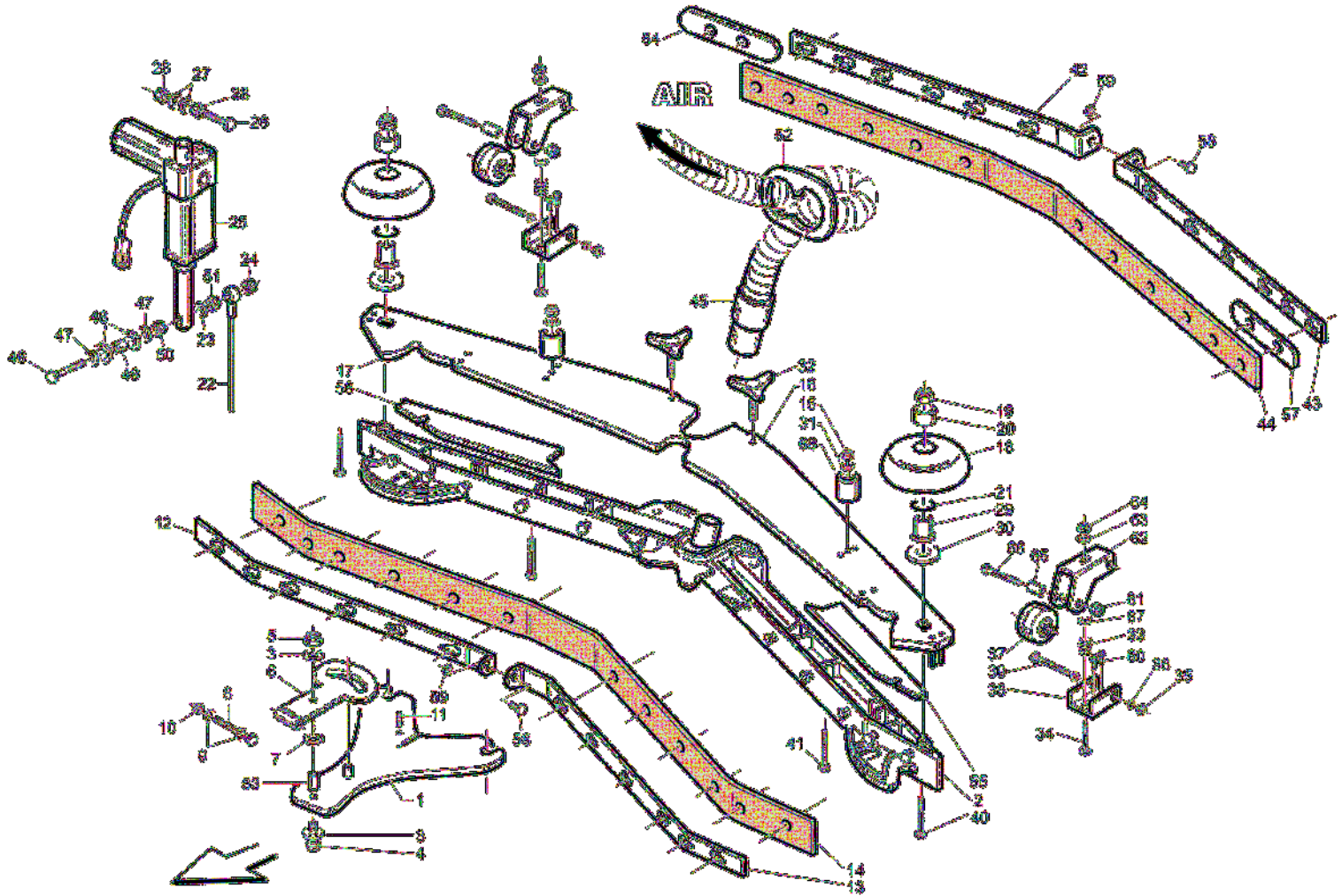
Ref.	K	Part N.	Customer Part N.	Description	Qty	Validity:		Price
						From	To	
0001		LAFN05631		PLATE	1,00		02/2009	--
0001		LAFN07536		PLATE	1,00	02/2009		--
0002		VTVT00876		SCREW TCEI M.8-16	2,00			--
0003		VTRS13947		WASHER D. 8 INX UNI 6592	2,00			--
0004		VTVT00410		SCREW TE M8x35 UNI5739 INOX	1,00			--
0005		VTDD01695		NUT M 8 INX	1,00			--
0006		LAFN05599		SUPPORT	1,00			--
0007		VTRS43258		WASHER D.13X24 X2.5 NYL UNI6592	1,00			--
0008		VTVT00757		SCREW	1,00			--
0009		VTRS13947		WASHER D. 8 INX UNI 6592	2,00			--
0010		VTDD01695		NUT M 8 INX	1,00			--
0011		VTVT01145		CARRYNG BAG	1,00	07/2008		--
0011		VTVT01200		GRUB SCREW M8 X 16 INOX	1,00		07/2008	--
0012		LAFN51048		LAMINATION BLOCCA LAMA ANTER.DX "XL"	1,00			--
0013		LAFN51049		LAMINATION BLOCCA LAMA ANTER.SX XL	1,00			--
0014		MPVR02795		BLADE ANTERIORE XL	1,00			--
0015		VTDD15520		NUT M 6 A2 UNI 5588 INX	2,00			--
0016		KTRI02050		BODY SQUEEGEE PRESSOFUSO "XL"	1,00			--
0017		LAFN51074		PIN PARACOLPI	2,00			--
0018		MPVR02894		ROLLER PARACOLPI	2,00		04/2008	--
0018		MPVR05295		WHEEL PARACOLPI	2,00	04/2008		--
0020		VTRS15144		WASHER D. 6 INX GRW UNI 1751	2,00			--
0021		VTVT15916		SCREW TE M 8X 16 UNI 5739 A2	2,00			--
0022		CMCV00426		CABLE CT 110	1,00		09/2008	--
0022		CMCV00438		CABLE SOLLEVAMENTO	1,00	09/2008	06/2009	--
0022		CMCV00443		CABLE SQUEEGEE CT110	1,00	06/2009		--
0023		VTRS15144		WASHER D. 6 INX GRW UNI 1751	2,00			--
0024		VTDD01694		NUT M 6 INX	2,00			--
0025		MOCC00322		ATUATOR	1,00			--
0026		VTVT15917		SCREW TE M 8X50 INOX A2 UNI	1,00			--
0027		VTRS13947		WASHER D. 8 INX UNI 6592	2,00			--
0028		VTDD01695		NUT M 8 INX	2,00			--
0029		VTDD01695		NUT M 8 INX	2,00			--
0030		VTRS13947		WASHER D. 8 INX UNI 6592	4,00			--
0031		VTRS13947		WASHER D. 8 INX UNI 6592	2,00			--
0032		VTDD15520		NUT M 6 A2 UNI 5588 INX	4,00			--
0033		MLML49422		SPRING D.15X 45 X1	2,00			--
0034		VTRS13947		WASHER D. 8 INX UNI 6592	2,00			--
0035		VTVT01304		SCREW M 8X 40 TTQST UNI 5731	2,00			--



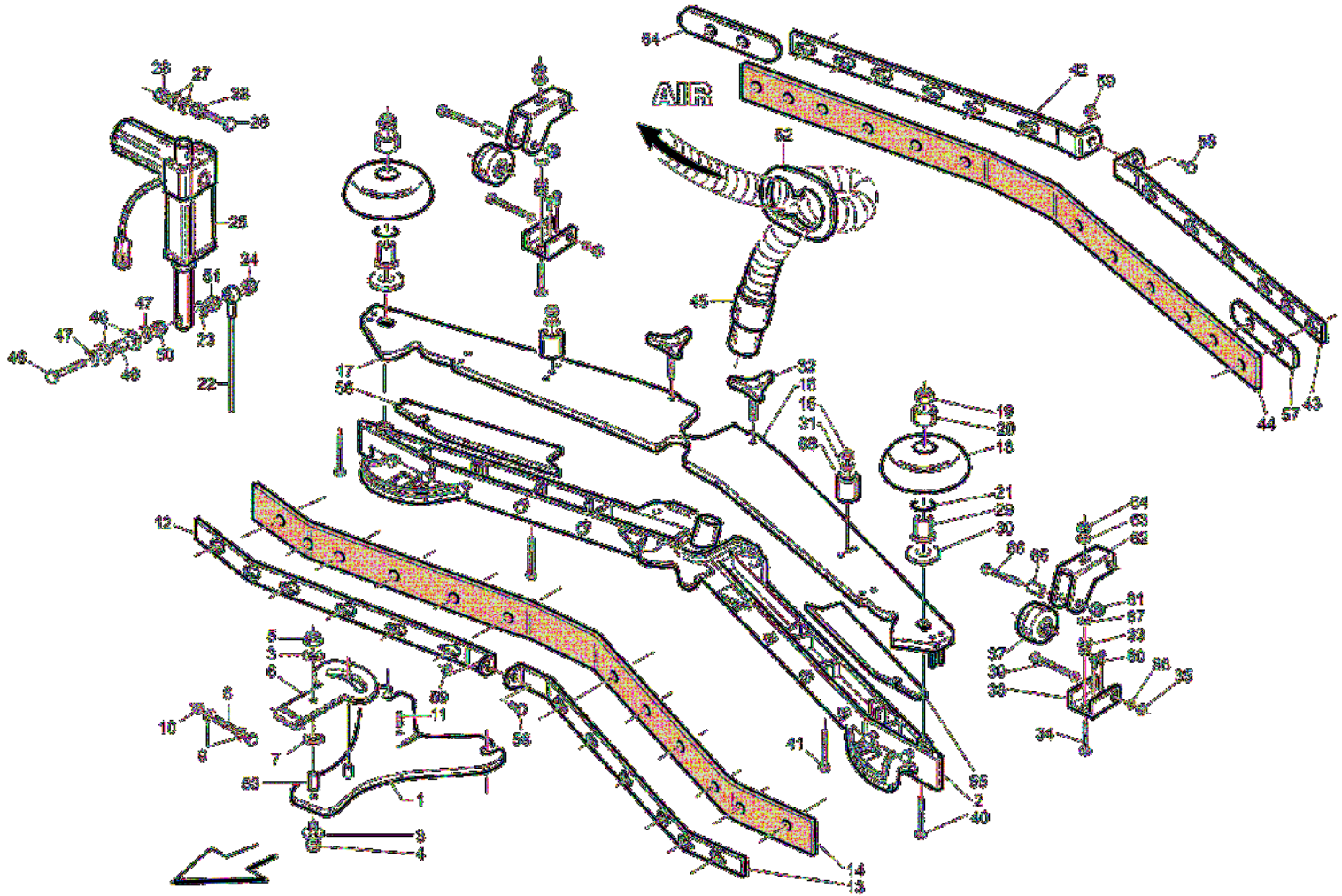
Ref.	K	Part N.	Customer Part N.	Description	Qty	Validity:		Price
						From	To	
0036		LAFN05559		SUPPORT RUOTINO	2,00			--
0037		RTRT49413		WHEEL D. 60-D.15 X36 NYL.	2,00			--
0038		VTVT15515		SCREW TE M 6X 50 INOX A2	4,00			--
0039		MPVR04164		HANDWHEEL M8 FILETTO PASSANTE	2,00		12/2007	--
0039		MPVR05265		KNOB 8X25	2,00	01/2008		--
0040		VTAE00074		CIRCLIP D8	2,00			--
0041		VTVT01050		SCREW TE M 8X30 INX UNI 5737	2,00			--
0042		LAFN05692		BLADE HOLDER POSTERIORE DX (XL)	1,00			--
0043		LAFN05694		BLADE HOLDER POSTERIORE SX (XL)	1,00			--
0044		MPVR02794		BLADE POSTERIORE (ROSSA) XL	1,00			--
0045		TBBP00402		TUBE TERGI D.40	1,00			--
0046		VTVT17342		SCREW TE M 6X 60 UNI 5739 INX	1,00			--
0047		VTRS07728		WASHER D. 6 INX	3,00			--
0048		VTRS13947		WASHER D. 8 INX UNI 6592	2,00			--
0049		LAFN03840		BUSHING	1,00			--
0050		VTDD15518		NUT M 6 INX	2,00			--
0051		VTDD15518		NUT M 6 INX	1,00			--
0052		MPVR04659		FLANGE	1,00			--
0053		LAFN35608		SPACER S. BLOCK BT 530	1,00			--
0054		GUGO00164		GASKET	2,00	09/2009		--
0055		LAFN51039		WEIGHT IN QUADRO X SQUEEG.	2,00			--
0056		LAFN07805		SHEET METAL PA.-	2,00			--
0057		VTVT00881		SCREW TC+ M4x6 TRILOBATA INOX	2,00			--



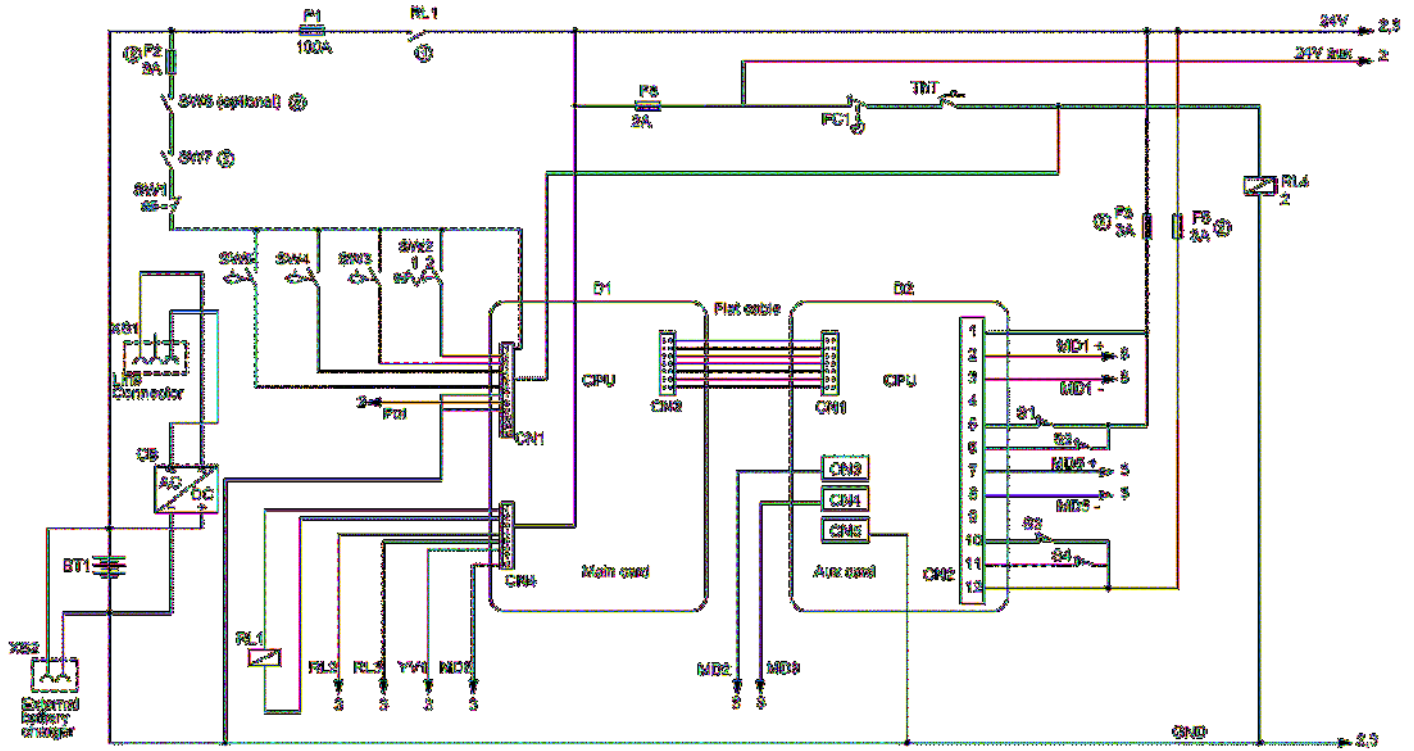
Ref. K	Part N.	Customer Part N.	Description	Qty	Validity:		Price
					From	To	
0002	MPVR05275		REDUCTION UNIT CT110	1,00			--
0003	RCGR00079		VALVE -	1,00			--
0004	TBBP00003		TUBE CRISTALLO 6X9	0,11		11/2009	--
0004	TBBP00476		TUBE -	2,00	11/2009		--
0005	FSVR00052		CLAMP 2,5X100	5,00			--
0006	PMVR01412		PUMP GRPQ24 24V	1,00			--
0007	VTVT01300		SCREW TE M5X12 INOX	2,00			--
0008	VTRS00516		WASHER D. 5 INX	2,00			--
0009	VTDD15517		NUT M 5 INX	2,00			--
0010	TBBP00003		TUBE CRISTALLO 6X9	0,10		11/2009	--
0010	TBBP00476		TUBE -	2,00	11/2009		--
0011	RCVR00745		CONNECTOR TRS 12-6-12	1,00			--
0012	TBFX48011		TUBE FLEX D.12X3 ARMORV.PVC TR	0,10			--
0013	FSVR00091		CLAMP 14-24	2,00			--



Ref.	K	Part N.	Customer Part N.	Description	Qty	Validity:		Price
						From	To	
0001		LAFN07536		PLATE -	1,00			--
0002		KTRI02050		BODY SQUEEGEE PRESSOFUSO "XL"	1,00			--
0003		VTRS13946		WASHER D. 8 X24 INX UNI 6593	1,00			--
0004		VTVT00410		SCREW TE M8x35 UNI5739 INOX	1,00			--
0005		VTDD01695		NUT M 8 INX	1,00			--
0006		LAFN09010		SUPPORT -	1,00			--
0007		VTRS15978		WASHER D.12X24 UNI 6592 INX	1,00			--
0008		VTVT00757		SCREW	1,00			--
0009		VTRS13947		WASHER D. 8 INX UNI 6592	2,00			--
0010		VTDD01695		NUT M 8 INX	1,00			--
0011		VTVT01145		CARRYNG BAG	1,00			--
0012		LAFN08956		BRACKET -	1,00			--
0013		LAFN08957		BRACKET -	1,00			--
0014		MPVR05808		RUBBER -	1,00			--
0015		VTDD01694		NUT M 6 INX	4,00			--
0016		LAFN09016		PLATE -	1,00			--
0017		LAFN09151		PLATE -	1,00			--
0018		MPVR05290		ROLLER PARACOLPI	2,00			--
0019		VTDD01694		NUT M 6 INX	2,00			--
0020		MPVR49229		BUSHING SHK	2,00			--
0021		GUGO00164		GASKET	2,00			--
0022		CMCV00443		CABLE SQUEEGEE CT110	1,00			--
0023		VTRS15144		WASHER D. 6 INX GRW UNI 1751	2,00			--
0024		VTDD01694		NUT M 6 INX	2,00			--
0025		MOC00322		ATUATOR	1,00			--
0026		VTVT15917		SCREW TE M 8X50 INOX A2 UNI	1,00			--
0027		VTRS13947		WASHER D. 8 INX UNI 6592	2,00			--
0028		VTDD01695		NUT M 8 INX	2,00			--
0029		LAFN04100		SPACER PER RUOTINO PARACOLPI	2,00			--
0030		VTRS16937		WASHER 6x24 INOX UNI 6593	2,00			--
0031		VTRS00245		WASHER D.6 UNI 6592 INOX	2,00			--
0032		MPVR06004		KNOB AISI 304	2,00			--
0033		MLML49422		SPRING D.15X 45 X1	2,00			--
0034		VTVT01304		SCREW M 8X 40 TTQST UNI 5731	2,00			--
0035		VTDD01694		NUT M 6 INX	2,00			--
0036		VTAE45707		CIRCLIP D. 6 UNI 7434 INOX	4,00			--
0037		RTRT00540		WHEEL D.8x32	2,00			--
0038		LAFN51069		BRACKET SUPP.RUOTINO SQUEEGEE	2,00			--
0039		VTVT15515		SCREW TE M 6X 50 INOX A2	2,00			--



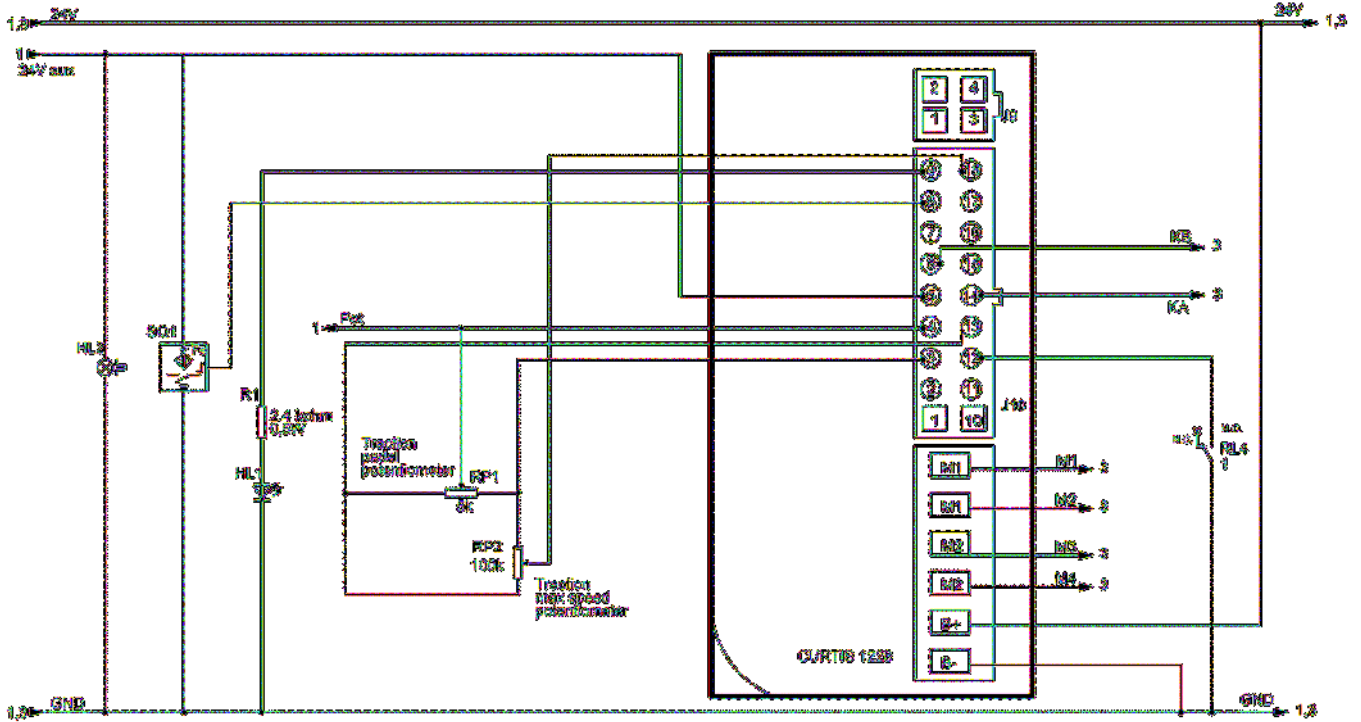
Ref.	K	Part N.	Customer Part N.	Description	Qty	Validity:		Price
						From	To	
0040		VTVT00841		SCREW TE M 6X65 UNI 5739 INX	2,00			--
0041		VTVT00699		SCREW TE M. 6-70	2,00			--
0042		LAFN08958		BRACKET -	1,00			--
0043		LAFN08959		BRACKET -	1,00			--
0044		MPVR05810		RUBBER -	1,00			--
0045		TBBP00402		TUBE TERGI D.40	1,00			--
0046		VTVT17342		SCREW TE M 6X 60 UNI 5739 INX	1,00			--
0047		VTRS07728		WASHER D. 6 INX	3,00			--
0048		VTRS13947		WASHER D. 8 INX UNI 6592	2,00			--
0049		LAFN03840		BUSHING	1,00			--
0050		VTDD15518		NUT M 6 INX	1,00			--
0051		VTDD15518		NUT M 6 INX	1,00			--
0052		MPVR04659		FLANGE	1,00			--
0053		LAFN35608		SPACER S. BLOCK BT 530	1,00			--
0054		MPVR05898		CLOSURE L	1,00			--
0055		GUVR00304		GASKET -	1,00			--
0056		GUVR00305		GASKET -	1,00			--
0057		MPVR05898		CLOSURE L	1,00			--
0058		VTVT01161		SCREW M6x8	2,00			--
0059		VTDD01694		NUT M 6 INX	2,00			--
0060		VTVR01040		RIVET -	4,00			--
0061		VTDD01694		NUT M 6 INX	2,00			--
0062		LAFN05559		SUPPORT RUOTINO	2,00			--
0063		VTRS13947		WASHER D. 8 INX UNI 6592	2,00			--
0064		VTDD01695		NUT M 8 INX	2,00			--
0065		TBBP00124		TUBE D 8/6	0,01			--
0066		VTVT15515		SCREW TE M 6X 50 INOX A2	2,00			--
0067		VTRS13947		WASHER D. 8 INX UNI 6592	2,00			--
0068		MPVR06016		BRACKET -	2,00			--



MAIN CONTROL BOARD

PLDC01844_3

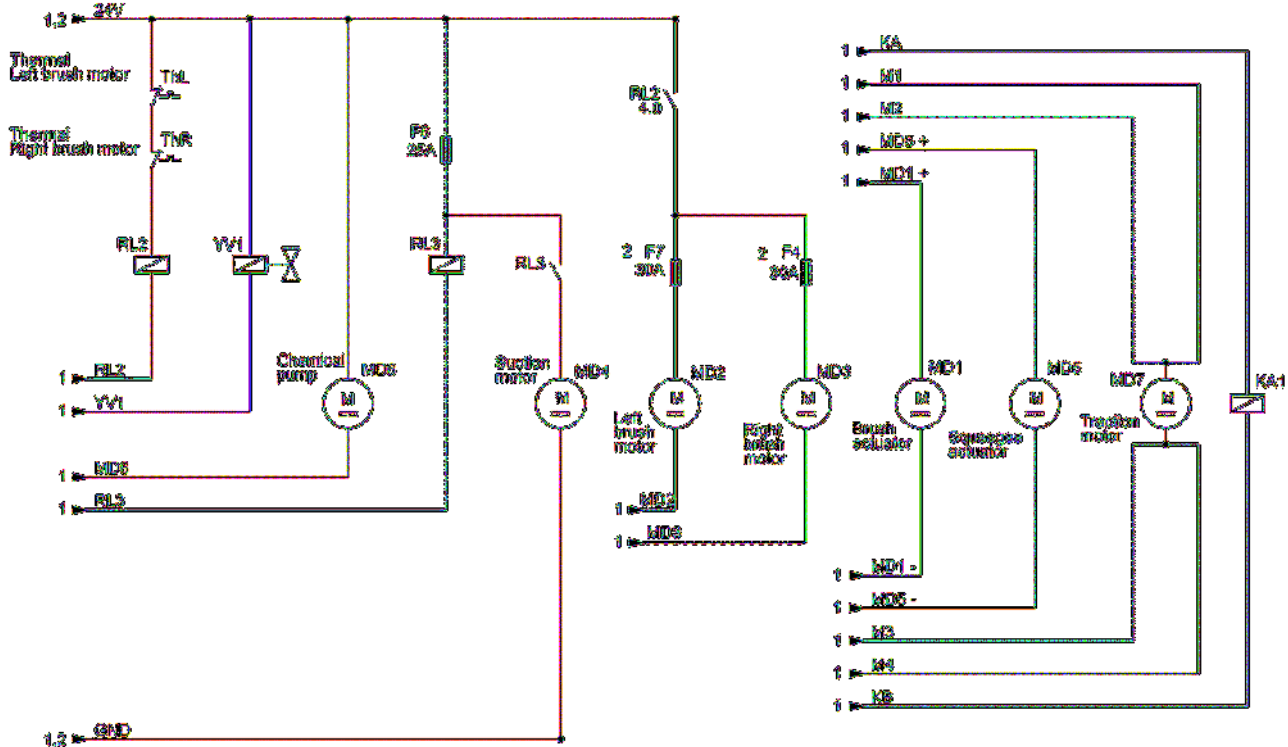
Ref.	K	Part N.	Customer Part N.	Description	Qty	Validity:		Price
						From	To	
00CB		BACA00117		BATTERY-CHARGER	1,00			--
00D1		MECE00451		BOARD	1,00			--
00F1		MEVR00145		FUSE 100A	1,00			--
00F2		MEVR01428		FUSE A LAMA 2 A. UNIVAL	1,00			--
00F3		MEVR00565		FUSE 5A	1,00			--
00F4		MEVR00379		FUSE RESETTABLE 25A -ETA-	1,00			--
00F5		MEVR00565		FUSE 5A	1,00			--
00F6		MEVR00379		FUSE RESETTABLE 25A -ETA-	1,00			--
00S1		MOCC00317		ATUATOR	1,00			--
00S2		MOCC00317		ATUATOR	1,00			--
00S3		MOCC00318		ATUATOR	1,00			--
00S4		MOCC00318		ATUATOR	1,00			--
0FC1		MEVR00148		DASHBOARD SEDILE	1,00			--
0FU7		MEVR00379		FUSE RESETTABLE 25A -ETA-	1,00			--
0HL2		MEVR00935		FLASHING LIGHT G1050	1,00			--
0MD1		MOCC00317		ATUATOR	1,00			--
0MD4		MOCC00273		MOTOR 3 ST.24V 116598-13	1,00			--
0MD5		MOCC00318		ATUATOR	1,00			--
0MD7		MOCC00316		MOTOR MR240-01 M420	1,00			--
0RL1		METT00056		CONTACTOR T-106	1,00			--
0RL2		METT00056		CONTACTOR T-106	1,00			--
0RL3		METT00056		CONTACTOR T-106	1,00			--
0RP2		MEVR01941		POTENTIOMETER 100K	1,00			--
0SQ1		MECI00405		SENSOR -	1,00			--
0SW1		MECI00341		BUTTON DI EMERGENZA	1,00			--
0SW2		MECI00340		SWITCH A CHIAVE X MOT.BATT.P185	1,00			--
0SW3		MECI00516		SENSOR DI LIVELLO ORIZZONTALE	1,00			--
0SW4		MECI00533		SENSOR VS303-51N	1,00			--
0YV1		MEEV00018		SOLENOID VALVE	1,00			--



CURTIS CONNECTORS

PLDC01844_3

Ref.	K	Part N.	Customer Part N.	Description	Qty	Validity:		Price
						From	To	
00CB		BACA00117		BATTERY-CHARGER	1,00			--
00D1		MECE00451		BOARD	1,00			--
00F1		MEVR00145		FUSE 100A	1,00			--
00F2		MEVR01428		FUSE A LAMA 2 A. UNIVAL	1,00			--
00F3		MEVR00565		FUSE 5A	1,00			--
00F4		MEVR00379		FUSE RESETTABLE 25A -ETA-	1,00			--
00F5		MEVR00565		FUSE 5A	1,00			--
00F6		MEVR00379		FUSE RESETTABLE 25A -ETA-	1,00			--
00S1		MOCC00317		ATUATOR	1,00			--
00S2		MOCC00317		ATUATOR	1,00			--
00S3		MOCC00318		ATUATOR	1,00			--
00S4		MOCC00318		ATUATOR	1,00			--
0FC1		MEVR00148		DASHBOARD SEDILE	1,00			--
0FU7		MEVR00379		FUSE RESETTABLE 25A -ETA-	1,00			--
0HL2		MEVR00935		FLASHING LIGHT G1050	1,00			--
0MD1		MOCC00317		ATUATOR	1,00			--
0MD4		MOCC00273		MOTOR 3 ST.24V 116598-13	1,00			--
0MD5		MOCC00318		ATUATOR	1,00			--
0MD7		MOCC00316		MOTOR MR240-01 M420	1,00			--
0RL1		METT00056		CONTACTOR T-106	1,00			--
0RL2		METT00056		CONTACTOR T-106	1,00			--
0RL3		METT00056		CONTACTOR T-106	1,00			--
0RP2		MEVR01941		POTENTIOMETER 100K	1,00			--
0SQ1		MECI00405		SENSOR -	1,00			--
0SW1		MECI00341		BUTTON DI EMERGENZA	1,00			--
0SW2		MECI00340		SWITCH A CHIAVE X MOT.BATT.P185	1,00			--
0SW3		MECI00516		SENSOR DI LIVELLO ORIZZONTALE	1,00			--
0SW4		MECI00533		SENSOR VS303-51N	1,00			--
0YV1		MEEV00018		SOLENOID VALVE	1,00			--



MOTORS AND ACTUATORS

PLDC01844_3

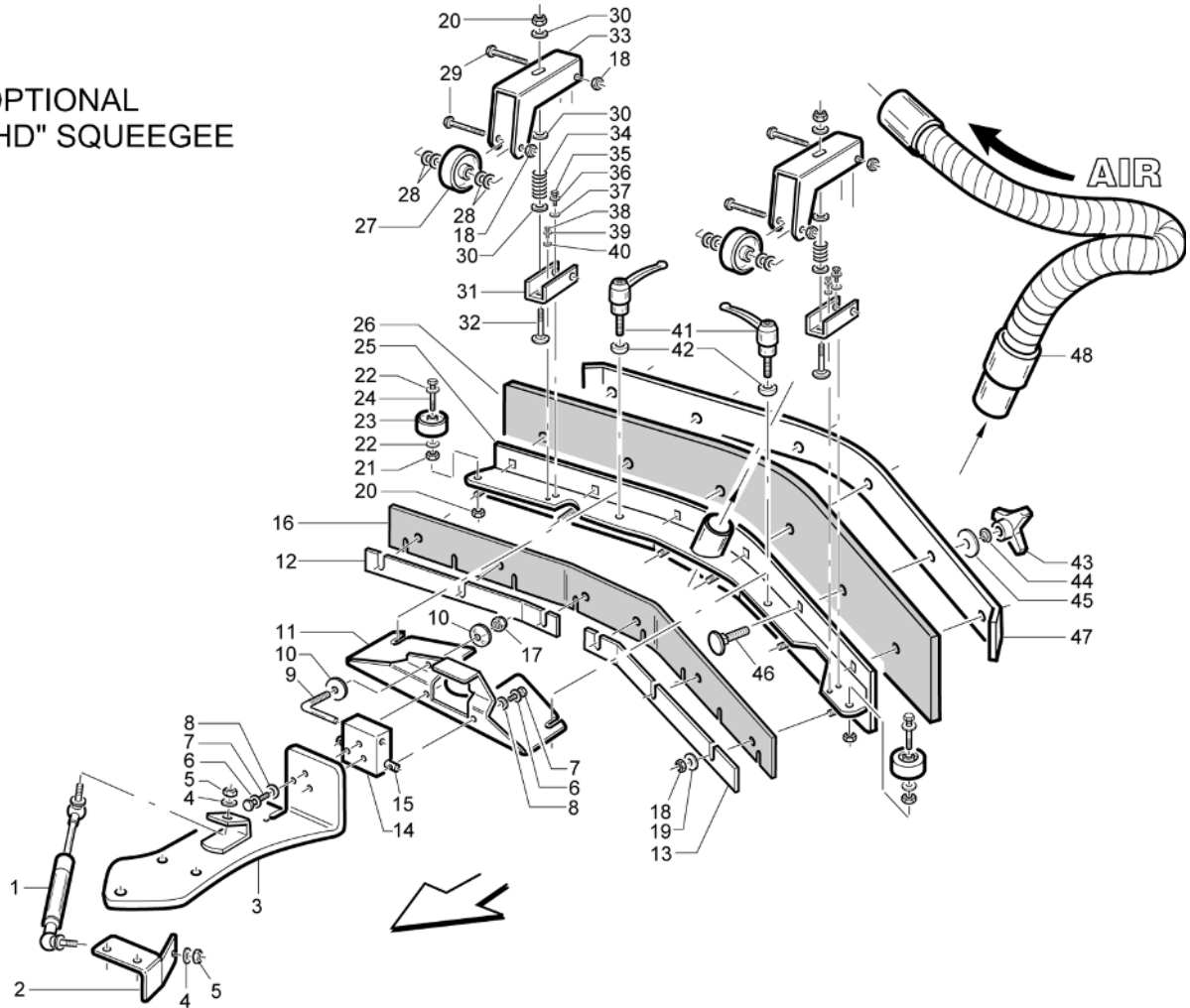
Ref.	K	Part N.	Customer Part N.	Description	Qty	Validity:		Price
						From	To	
00CB		BACA00117		BATTERY-CHARGER	1,00			--
00D1		MECE00451		BOARD	1,00			--
00F1		MEVR00145		FUSE 100A	1,00			--
00F2		MEVR01428		FUSE A LAMA 2 A. UNIVAL	1,00			--
00F3		MEVR00565		FUSE 5A	1,00			--
00F4		MEVR00379		FUSE RESETTABLE 25A -ETA-	1,00			--
00F5		MEVR00565		FUSE 5A	1,00			--
00F6		MEVR00379		FUSE RESETTABLE 25A -ETA-	1,00			--
00S1		MOCC00317		ATUATOR	1,00			--
00S2		MOCC00317		ATUATOR	1,00			--
00S3		MOCC00318		ATUATOR	1,00			--
00S4		MOCC00318		ATUATOR	1,00			--
0FC1		MEVR00148		DASHBOARD SEDILE	1,00			--
0FU7		MEVR00379		FUSE RESETTABLE 25A -ETA-	1,00			--
0HL2		MEVR00935		FLASHING LIGHT G1050	1,00			--
0MD1		MOCC00317		ATUATOR	1,00			--
0MD4		MOCC00273		MOTOR 3 ST.24V 116598-13	1,00			--
0MD5		MOCC00318		ATUATOR	1,00			--
0MD7		MOCC00316		MOTOR MR240-01 M420	1,00			--
0RL1		METT00056		CONTACTOR T-106	1,00			--
0RL2		METT00056		CONTACTOR T-106	1,00			--
0RL3		METT00056		CONTACTOR T-106	1,00			--
0RP2		MEVR01941		POTENTIOMETER 100K	1,00			--
0SQ1		MECI00405		SENSOR -	1,00			--
0SW1		MECI00341		BUTTON DI EMERGENZA	1,00			--
0SW2		MECI00340		SWITCH A CHIAVE X MOT.BATT.P185	1,00			--
0SW3		MECI00516		SENSOR DI LIVELLO ORIZZONTALE	1,00			--
0SW4		MECI00533		SENSOR VS303-51N	1,00			--
0YV1		MEEV00018		SOLENOID VALVE	1,00			--

Sim. Syml.	Sign. Item	Description	Sim. Syml.	Sign. Item	Description	Sim. Syml.	Sign. Item	Description	Sim. Syml.	Sign. Item	Description
	BTT	Battery 24V		F7	Fuse 1000mA		RL1	Relay		RLM1	Relay
	CS	On-board battery charger (optional)		HL1	LED Cante		RL1	Relay contactor		RLM2	Relay
	CB	Main control board		HL2	Flashing Beacon (optional)		RL2	Basic motor relay		RLM3	Relay
	CB	Secondary control board		HL3	Beacon		RL3	Busbar motor relay		RLM4	Relay
	F0	Fuse 24V main line		HL01	Beacon actuator		RP1	Travel potentiometer (FFM10)		RLM5	Relay
	F2	Fuse 24V auxiliary line		HL2	Left brush motor		RP2	Speed reduction potentiometer		RLM6	Relay
	F3	Fuse linear actuator		HL3	Right brush motor		RL1	Microswitch brush actuator I/P		RLM7	Relay
	F4	Fuse right brush		HL4	Beacon motor		RL2	Microswitch brush actuator O/W		RLM8	Relay
	F5	Fuse linear actuator		HL5	Squeezing actuator		RL3	Microswitch Squeezing actuator I/P		RLM9	Relay
	F6	Fuse rotation motor		HL6	Chemical pump		RL4	Microswitch Squeezing actuator O/W		RLM10	Relay
	PC1	Start microswitch		HL7	Traction resistor		RL5	Stop-down inductive sensor		RLM11	Relay
	TR1	Thermal Right brush motor		F8	Fuse 24V aux line		RLM12	Thermal traction motor			
	TR2	Thermal Left brush motor									

PLDC01844_3

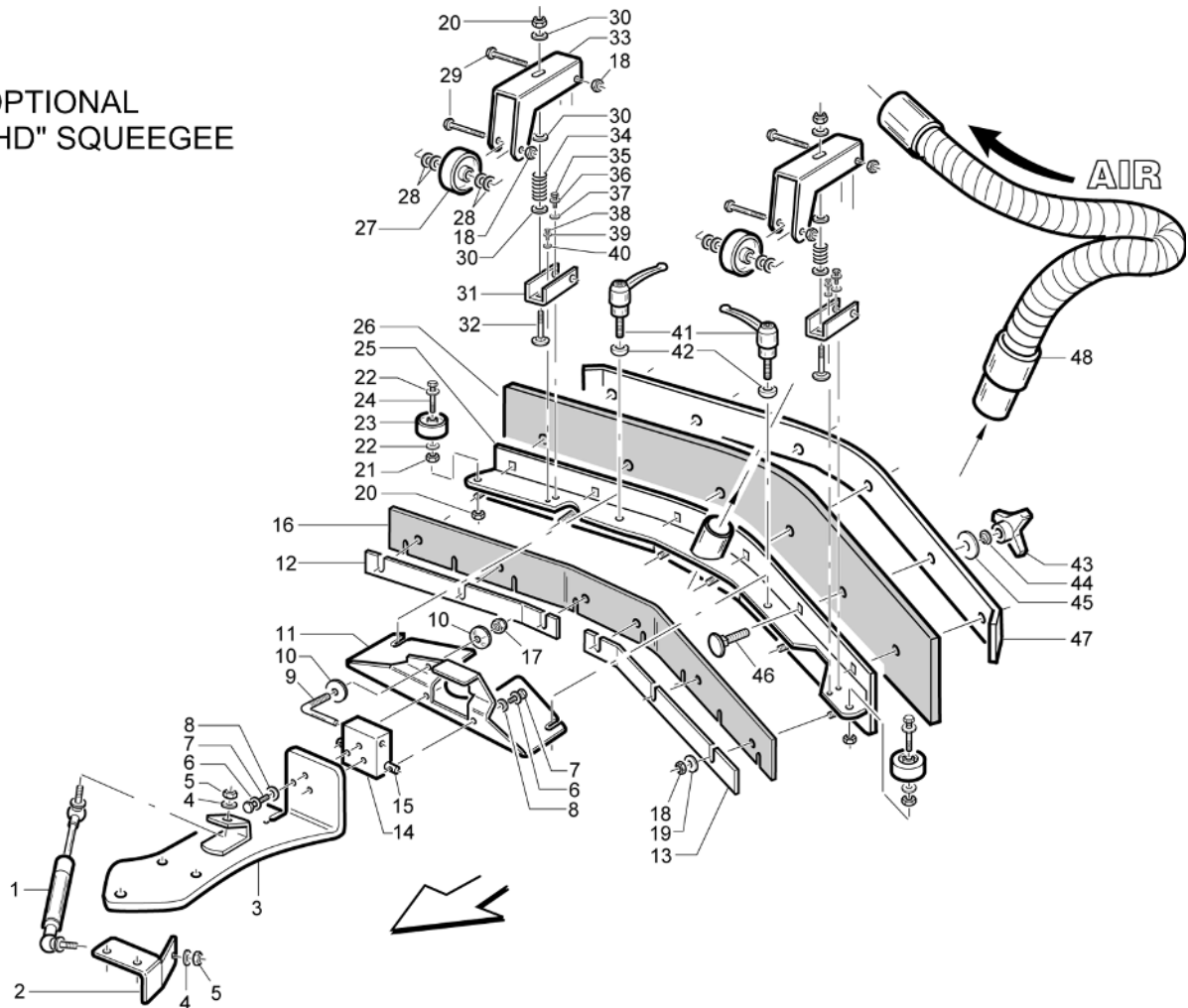
Ref.	K	Part N.	Customer Part N.	Description	Qty	Validity:	From	To	Price
00CB		BACA00117		BATTERY-CHARGER	1,00				--
00D1		MECE00451		BOARD	1,00				--
00F1		MEVR00145		FUSE 100A	1,00				--
00F2		MEVR01428		FUSE A LAMA 2 A. UNIVAL	1,00				--
00F3		MEVR00565		FUSE 5A	1,00				--
00F4		MEVR00379		FUSE RESETTABLE 25A -ETA-	1,00				--
00F5		MEVR00565		FUSE 5A	1,00				--
00F6		MEVR00379		FUSE RESETTABLE 25A -ETA-	1,00				--
00S1		MOCC00317		ATUATOR	1,00				--
00S2		MOCC00317		ATUATOR	1,00				--
00S3		MOCC00318		ATUATOR	1,00				--
00S4		MOCC00318		ATUATOR	1,00				--
0FC1		MEVR00148		DASHBOARD SEDILE	1,00				--
0FU7		MEVR00379		FUSE RESETTABLE 25A -ETA-	1,00				--
0HL2		MEVR00935		FLASHING LIGHT G1050	1,00				--
0MD1		MOCC00317		ATUATOR	1,00				--
0MD4		MOCC00273		MOTOR 3 ST.24V 116598-13	1,00				--
0MD5		MOCC00318		ATUATOR	1,00				--
0MD7		MOCC00316		MOTOR MR240-01 M420	1,00				--
0RL1		METT00056		CONTACTOR T-106	1,00				--
0RL2		METT00056		CONTACTOR T-106	1,00				--
0RL3		METT00056		CONTACTOR T-106	1,00				--
0RP2		MEVR01941		POTENTIOMETER 100K	1,00				--
0SQ1		MECI00405		SENSOR -	1,00				--
0SW1		MECI00341		BUTTON DI EMERGENZA	1,00				--
0SW2		MECI00340		SWITCH A CHIAVE X MOT.BATT.P185	1,00				--
0SW3		MECI00516		SENSOR DI LIVELLO ORIZZONTALE	1,00				--
0SW4		MECI00533		SENSOR VS303-51N	1,00				--
0YV1		MEEV00018		SOLENOID VALVE	1,00				--

OPTIONAL
"HD" SQUEEGEE

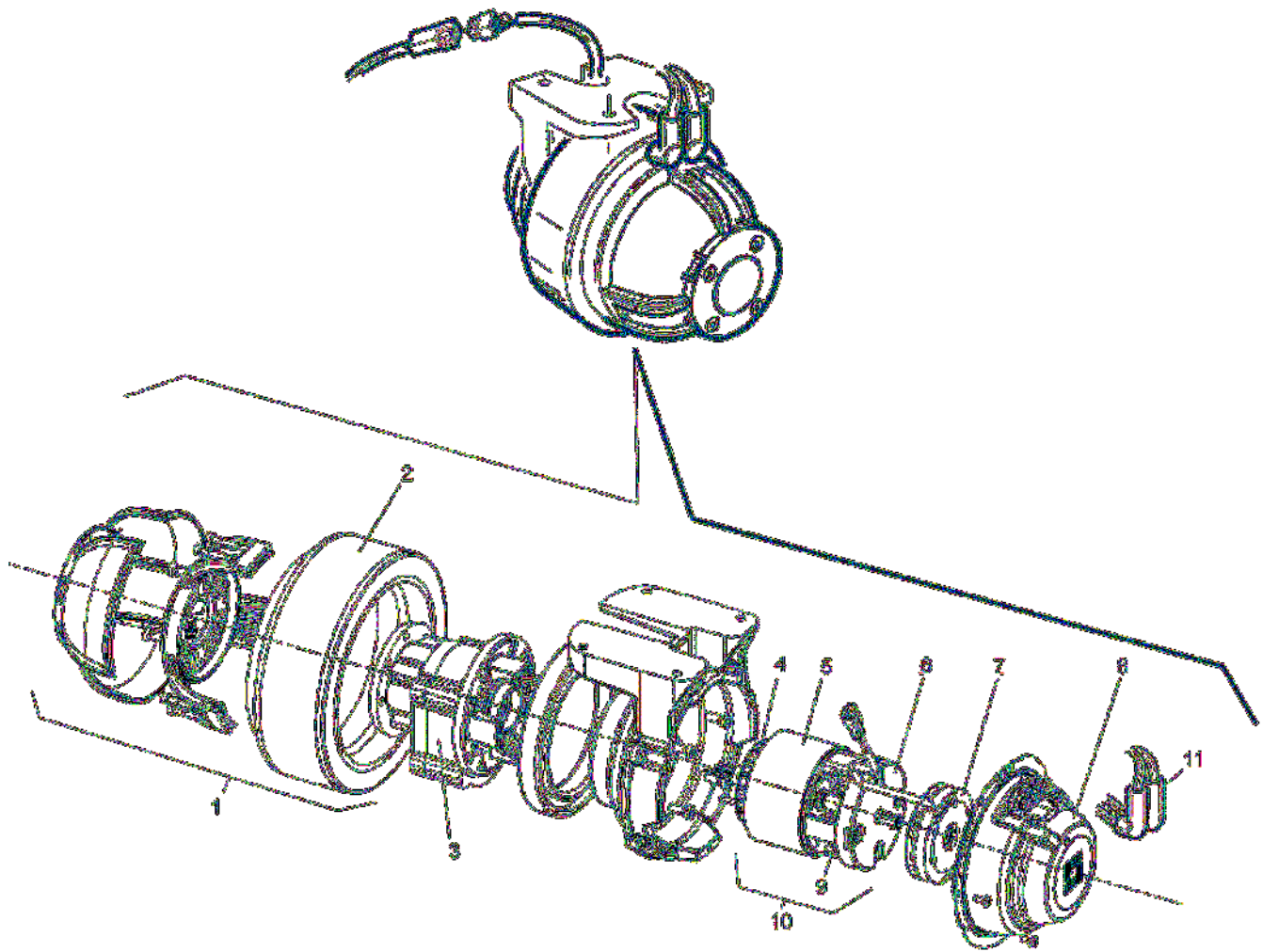


Ref. K	Part N.	Customer Part N.	Description	Qty	Validity: From To	Price
0001	PIID00042		SPRING 156.195.5 ts1-ts1	1,00		--
0002	LAFN07422		PLATE MOLLA GAS	1,00		--
0003	LAFN07425		BRACKET TERGI	1,00		--
0004	VTRS15146		WASHER D. 8 INX GRW UNI 1751	1,00		--
0005	VTDD15521		NUT M 8 INX A2 UNI 5588	1,00		--
0006	VTRS15144		WASHER D. 6 INX GRW UNI 1751	3,00		--
0007	VTVT15143		SCREW TE 6X16 UNI5739	3,00		--
0008	VTRS00245		WASHER D.6 UNI 6592 INOX	3,00		--
0009	LAFN04135		REGISTER CAMPANATURA TERGI	1,00		--
0010	LAFN04136		KNOB REGISTRO TERGI	2,00		--
0011	LAFN07423		BRACKET TERGI	1,00		--
0012	LAFN02723		PLATE ANTERIOR RIGHT	1,00		--
0013	LAFN02724		PLATE ANTERIOR LEFT	1,00		--
0014	VTVR00319		ARTICULATION TERGI	1,00		--
0015	LAFN04123		PIN SUPPORTO TERGI P.185	1,00		--
0016	MPVR05331		RUBBER TERGI CT110	1,00		--
0017	VTDD15519		NUT M10 INOX	1,00		--
0018	VTDD01694		NUT M 6 INX	6,00		--
0019	VTRS13945		WASHER D. 6X18 INX UNI 6593	6,00		--
0020	VTDD01695		NUT M 8 INX	2,00		--
0021	VTDD15521		NUT M 8 INX A2 UNI 5588	2,00		--
0022	VTRS13947		WASHER D. 8 INX UNI 6592	2,00		--
0023	RTRT00085		WHEEL Diameter 60, Height 24	2,00		--
0024	VTVT15917		SCREW TE M 8X50 INOX A2 UNI	2,00		--
0025	LAFN02821		SQUEEGEE	1,00		--
0026	MPVR05329		RUBBER TERGI CT110	1,00		--
0027	RTRT00512		WHEEL TERGI CT110	2,00		--
0028	VTRS00505		WASHER D.10 TE UNI 6592	8,00		--
0029	VTVT15515		SCREW TE M 6X 50 INOX A2	4,00		--
0030	VTRS13947		WASHER D. 8 INX UNI 6592	4,00		--
0031	LAFN51069		BRACKET SUPP.RUOTINO SQUEEGEE	2,00		--
0032	VTVT01304		SCREW M 8X 40 TTQST UNI 5731	2,00		--
0033	LAFN05559		SUPPORT RUOTINO	2,00		--
0034	MLML49422		SPRING D.15X 45 X1	2,00		--
0035	VTVT15906		SCREW TE 6X 12 A2 UNI 5739	2,00		--
0036	VTRS15144		WASHER D. 6 INX GRW UNI 1751	2,00		--
0037	VTRS00245		WASHER D.6 UNI 6592 INOX	2,00		--
0038	VTVT21096		SCREW TE M 4X 10 INX	2,00		--
0039	VTRS15913		WASHER D. 4 GROVER A2 UNI1751	2,00		--

OPTIONAL
"HD" SQUEEGEE



Ref. K	Part N.	Customer Part N.	Description	Qty	Validity:		Price
					From	To	
0040	VTRS00515		WASHER D. 4 INX	2,00			--
0041	VTVR00079		REGULAT. SCREW	2,00			--
0042	VTRS00069		WASHER DIN 6319-8,4-C-NI	2,00			--
0043	VTVT00199		HANDWHEEL VB 693/63B-M8	6,00			--
0044	VTRS15146		WASHER D. 8 INX GRW UNI 1751	6,00			--
0045	VTRS13946		WASHER D. 8 X24 INX UNI 6593	6,00			--
0046	VTVT00326		SCREW TTQST M8x30 UNI5592	6,00			--
0047	LAFN02824		PLATE	1,00			--
0048	TBFX00325		TUBE	1,00			--



Ref.	K	Part N.	Customer Part N.	Description	Qty	Validity:		Price
						From	To	
0001		RTRT00533		RING MOTORWHEEL	1,00			--
0006		MPVR05990		CAP CT110	1,00			--
0007		MEVR02030		BRAKE -	1,00			--
0008		MPVR06031		COWLING MOTORUOTA	1,00			--
0009		MEVR00985		CARRYNG BAG	4,00			--
0010		MOCC00399		MOTOR MP80	1,00			--
0011		MEVR00889		PIPETTE	2,00			--