

Clemas & Co Ltd

Industrial Cleaning Equipment
Sales - Hire - Service

TENNANT T500 PARTS MANUAL



Clemas & Co. Unit 5 Ashchurch Business Centre, Alexandra Way, Tewkesbury,
Gloucestershire, GL20 8NB.

Tel: 01684 850777

Fax: 01684 850707

Email: info@clemas.co.uk

Web: www.clemas.co.uk

Ref	Part No.	Serial Number	Description	Qty.
1	82681	(000000-)	Bracket Wldt, Lpg Mount	1
2	63810	(000000-)	Latch Assy, Lpg Tank Mtg, W/Nut	4
3	51839	(000000-)	Nut Adjustable, Lpg Tank Mtg	2
4	49263	(000000-)	Tie, Cable	3
5	82556	(000000- 001039)	Bracket, Vaporizer	1
6	54930	(000000-)	Vaporizer, LPG	1

HOW TO ORDER PARTS - See diagram above

Only use TENNANT Company supplied or equivalent parts. Parts and supplies may be ordered online, by phone, by fax or by mail.

Follow the steps below to ensure prompt delivery.

1. **(A)** Identify the machine model.
2. **(B)** Identify the machine serial number from the data label.
3. **(C)** Ensure the proper serial number is used from the parts list.
4. Identify the part number and quantity.
Do not order by page or reference numbers.
5. Provide your name, company name, customer ID number, billing and shipping address, phone number and purchase order number.
6. Provide detail shipping instructions.

(D) ▽ - identifies an assembly
▲ - identifies parts included in assembly

EN

Please fill out at time of installation for future reference.

Model No. - _____

Serial No. - _____

Machine Options - _____

Sales Rep. - _____

Sales Rep. phone no. - _____

Customer ID Number - _____

Installation Date - _____

Tennant N.V.
 Industrielaan 6 5405 AB
 P.O. Box 6 5400 AA Uden- The Netherlands
 europe@tennantco.com
 www.tennantco.com

Specifications and parts are subject to change without notice.
 Copyright © 2017 TENNANT Company. All Rights Reserved.

STANDARD PARTS

GENERAL RECOMMENDED MAINTENANCE ITEMS	11
REPLACEMENT BRUSHES AND PAD DRIVER DISK	14
REPLACEMENT BRUSHES CYLINDRICAL	16
REPLACEMENT PADS ORBITAL	17
SCRUB HEAD GROUP, DISK 650MM / 26IN ...	18
SCRUB HEAD GROUP, DISK 700MM / 28IN ...	20
SCRUB HEAD GROUP, DISK 800MM / 32IN ...	22
SCRUB HEAD GROUP, CYLINDRICAL 700MM / 28IN	24
SCRUB HEAD GROUP, CYLINDRICAL 700MM / 28IN - CONT'D	26
SCRUB HEAD GROUP, ORBITAL 700MM / 28IN	28
RECOVERY TANK GROUP	30
RECOVERY TANK FILTER AND HOSE GROUP, CONTROL VALVE	32
SOLUTION TANK GROUP	34
STANDARD ELECTRICAL GROUP	36
FRAME AND DRIVE GROUP, DISK AND CYLINDRICAL	38
FRAME AND DRIVE GROUP, ORBITAL	40
HEAD LIFT GROUP, DISK	42
HEAD LIFT GROUP, CYLINDRICAL	44
HEAD LIFT GROUP, ORBITAL	46
SHROUD GROUP, DISK AND ORBITAL	48
SHROUD GROUP, CYLINDRICAL	49
LOWER CONSOLE GROUP, ON- BOARD CHARGER	50
LOWER CONSOLE GROUP, OFF- BOARD CHARGER	52
CONSOLE HANDLE, PRO- MEMBRANE PANEL	54
CONSOLE HANDLE, PRO- PANEL LCD	56
SQUEEGEE LIFT GROUP	58
SQUEEGEE ASSEMBLY, 500MM / 20IN	60
SQUEEGEE ASSEMBLY, 650MM / 26IN	62
SQUEEGEE ASSEMBLY, 700MM / 28IN	64
SQUEEGEE ASSEMBLY, 800MM / 32IN	66

STANDARD PARTS - Cont'd

STANDARD SOLUTION GROUP	68
STANDARD BATTERY CABLES GROUP	70
LABEL GROUP	71
ELECTRICAL DIAGRAM	72
ELECTRICAL HARNESS, MAIN	76
ELECTRICAL HARNESS, OPERATOR STATION	80
ELECTRICAL HARNESS, BAIL SWITCH	82
OPTIONS	
ACCESSORY RAIL CLIP KIT	84
SCREW CAP DRAIN HOSE GROUP	85
SOLUTION TANK AUTO-FILL KIT	86
TELEMETRY ELECTRICAL GROUP	88
ec-H2O SOLUTION GROUP	90
SEVERE ENVIRONMENT SOLUTION GROUP .	92
RECOVERY TANK RINSE KIT	94
PARKING BRAKE GROUP	96
BATTERY GROUP, WET 210AH	98
BATTERY GROUP, MAINTENANCE-FREE 180AH	99
BATTERY GROUP, WET 210AH BFS	100
MANUAL BATTERY WATERING GROUP	101
SMART-FILL™ AUTOMATIC BATTERY WATERING GROUP	102
DOCUMENTATION GROUP	104
BREAKDOWNS	
ec- H2O NANOCLEAN MODULE BREAKDOWN	106
ORBITAL HEAD ECCENTRIC DRIVE BREAKDOWN	108
AUTOMATIC BATTERY WATERING MODULE BREAKDOWN	110

RECOMMENDED MAINTENANCE ITEMS

GENERAL RECOMMENDED MAINTENANCE ITEMS

Part No.	Serial Number	Description	Qty.
1227060	(00001-) Brush Assy, Disk, Scb, 13.0d, Pyp	2
1227059	(00001-) Brush Assy, Disk, Scb, 13.0d, Nyl	2
1227061	(00001-) Brush Assy, Disk, Scb, 13.0d, Sab	2
995625	(00001-) Pad, Stripping, 13.0/330, Brown[3m, 5pc]	2
994514	(00001-) Pad, Stripping, 13.0/330, Brown[5pc]	2
995618	(00001-) Pad, Scb, 13.0inch /330 [3m Blu, 5pc]	2
994515	(00001-) Pad, Scb, 13.0inch /330, Blu [5pc]	2
995610	(00001-) Pad, Buff, 13.0/330, Red [3m, 5pc]	2
994516	(00001-) Pad, Buff, 13.0/330, Red [5pc]	2
994513	(00001-) Pad, Polish, 13.0/330, White [5pc]	2
1215461	(00001-) Pad, Polish, 13.0d, Sienna [1pick=5pcs]	2
1215453	(00001-) Pad, Polish, 13.0d, Purple [1pick=5pcs]	2
1223615	(00001-) Brush, Disk, Scb, 14.0d, Pyp [Tnv]	2
1223613	(00001-) Brush, Disk, Scb, 14.0d, Nyl 6.6 [Tnv]	2
1223619	(00001-) Brush, Disk, Scb, 14.0d, Abr [Tnv]	2
995626	(00001-) Pad, Stripping, 14.0/355, Brown[3m, 5pc]	2
994520	(00001-) Pad, Stripping, 14.0/355, Brown[5pc]	2
995619	(00001-) Pad, Scb, 14.0inch /355 [3m Blu, 5pc]	2
994519	(00001-) Pad, Scb, 14.0inch /355, Blu [5pc]	2
995611	(00001-) Pad, Buff, 14.0/355, Red [3m, 5pc]	2
994518	(00001-) Pad, Buff, 14.0/355, Red [5pc]	2
994754	(00001-) Pad, Polish, 14.0/355, White [5pc]	2
1215462	(00001-) Pad, Polish, 14.0d, Sienna [1pick=5pcs]	2
1215454	(00001-) Pad, Polish, 14.0d, Purple [1pick=5pcs]	2
1223627	(00001-) Brush, Disk, Scb, 16.0d, Pyp [Tnv]	2
1221546	(00001-) Brush, Disk, Scb, 16.0d, Nyl 6.6 [Tnv]	2
1223621	(00001-) Brush, Disk, Scb, 16.0d, Abr [Tnv]	2
995627	(00001-) Pad, Stripping, 16.0/406, Brown[3m, 5pc]	2
994523	(00001-) Pad, Stripping, 16.0/406, Brown[5pc]	2
995620	(00001-) Pad, Scb, 16.0inch /406 [3m Blu, 5pc]	2
994524	(00001-) Pad, Scb, 16.0inch /406, Blu	2
995612	(00001-) Pad, Buff, 16.0/406, Red [3m, 5pc]	2
994525	(00001-) Pad, Buff, 16.0/406, Red [5pc]	2
994526	(00001-) Pad, Polish, 16.0/406, White [5pc]	2
1215463	(00001-) Pad, Polish, 16.0d, Sienna [1pick=5pcs]	2
1215455	(00001-) Pad, Polish, 16.0d, Purple [1pick=5pcs]	2
222304	(00001-) Brush, Scb, 28l, 18sr, Pyp, Spl	2
222305	(00001-) Brush, Scb, 28l, 18sr, Nyl, Spl	2
222306	(00001-) Brush, Scb, 28l, 18sr, Abr, Spl	2
1223247	(00001-) Pad, Scb, 28 X 14, Blu [1pick=1pc]	1
1218157	(00001-) Pad, Buff, 28 X 14, Red [1pick=1pc]	1
1223246	(00001-) Pad, Polish, 28 X 14, White [1pick=1pc]	1
1223248	(00001-) Pad, Surf Prep, 28 X 14, Mar [1pick=1pc]	1
1223250	(00001-) Pad, Scb, 28 X 14, Green [1pick=1ctn]	1
1075563	(00001-) Pad, Stripping, 28 X 14, Blk [1pick=1ctn]	1
1221839	(00001-) Pad, Backer, 28 X 14 (Includes Velcro Fasteners)	1

RECOMMENDED MAINTENANCE ITEMS

GENERAL RECOMMENDED MAINTENANCE ITEMS

Part No.	Serial Number	Description	Qty.	
1221522	(00001-) Bumper, Head, 65cm, Skirt, Im [T500]	1	
1221520	(00001-) Bumper, Head, 70cm, Skirt, Im [T500]	1	
1221512	(00001-) Bumper, Head, 80cm, Skirt, Im [T500]	1	
222403	(00001-) Wheel, 02.0d 0.88w 0.50b (Disk Head)	2	
630477	(00001-) Wheel, Pyu, 02.0d 0.38w, Gray (Cylindrical Head)	6	
▽	1023067	(00001-) Motor, Ele, 24vdc 0220rpm 0.75hp Gear (Disk Head)	2
▲	1031775	(00001-) Brush Kit, Carbon, Motor, Replmt [T5] (Disk Head)	1
▽	1223429	(00001-) Motor, Ele, 24vdc 1500rpm 0.60hp (Cylindrical Head)	2
▲	1031775	(00001-) Brush Kit, Carbon, Motor, Replmt [T5] (Cylindrical Head)	1
	1218573	(00001-) Skirt, Side, Scrub, Cyl [T500]	4
▽	9015765	(00001-) Belt Kit, Motor, Ci (Cylindrical Head)	1
▲	1213132	(00001-) Tool, Installation, Belt (Cylindrical Head)	1
▽	1219913	(00001-) Motor, Ele, 24vdc, 2200rpm, 0.75hp 28.0a (Orbital Head)	1
▲	1059370	(00001-) Brush, Motor, Replmt [Bag Of 4] (Orbital Head)	1
	1014918AM	(00001-) Wheel, 03.0d 0.88w 0.31b, W/ Bshg, Rbr (Orbital Head)	2
▽	9015731	(00001-) Blade Kit, 500mm, Linatex (Standard)	1
▲	1203953	(00001-) Blade, Sqge, Rear, 836l, Linatex[500mm] (Standard)	1
▲	1203954	(00001-) Blade, Sqge, Front, 788l, Linatex[500mm] (Standard)	1
▽	9015732	(00001-) Blade Kit, 500mm, Urethane (Option)	1
▲	1215609	(00001-) Blade, Sqge, Rear, 836l, Urethane[500mm] (Option)	1
▲	1215611	(00001-) Blade, Sqge, Front, 788l, Urethane[500mm] (Option)	1
▽	9015730	(00001-) Blade Kit, 500mm, Gum (Option)	1
▲	1215610	(00001-) Blade, Sqge, Rear, 836l, Gum[500mm] (Option)	1
▲	1215612	(00001-) Blade, Sqge, Front, 788l, Gum[500mm] (Option)	1
▽	9015734	(00001-) Blade Kit, 650mm, Linatex (Standard)	1
▲	1221585	(00001-) Blade, Sqge, Rear, 1166l, Linatex[650mm] (Standard)	1
▲	1232680	(00001-) Blade, Sqge, Front, 1072l Linard[650mm] (Standard)	1
▽	9015735	(00001-) Blade Kit, 650mm, Urethane (Option)	1
▲	1228909	(00001-) Blade, Sqge, Rear, 1136l,Urethane[650mm] (Option)	1
▲	1228915	(00001-) Blade, Sqge, Front,1072l,Urethane[650mm] (Option)	1
▽	9015733	(00001-) Blade Kit, 650mm, Gum (Option)	1
▲	1228910	(00001-) Blade, Sqge, Rear, 1136l, Gum[650mm] (Option)	1
▲	1228919	(00001-) Blade, Sqge, Front, 1072l Gum[650mm] (Option)	1
▽	9015737	(00001-) Blade Kit, 700mm, Linatex (Standard)	1
▲	1221572	(00001-) Blade, Sqge, Rear, 1204l, Linatex[700mm] (Standard)	1
▲	1232679	(00001-) Blade, Sqge, Front, 1148l Linard[700mm] (Standard)	1
▽	9015738	(00001-) Blade Kit, 700mm, Urethane (Option)	1
▲	1228904	(00001-) Blade, Sqge, Rear, 1204l,Urethane[700mm] (Option)	1
▲	1228906	(00001-) Blade, Sqge, Front,1148l Urethane[700mm] (Option)	1
▽	9015736	(00001-) Blade Kit, 700mm, Gum (Option)	1
▲	1228905	(00001-) Blade, Sqge, Rear, 1204l, Gum[700mm] (Option)	1
▲	1228907	(00001-) Blade, Sqge, Front, 1148l Gum[700mm] (Option)	1
▽	9015740	(00001-) Blade Kit, 800mm, Linatex (Standard)	1
▲	1221115	(00001-) Blade, Sqge, Rear, 1306l, Linatex[800mm] (Standard)	1
▲	1232681	(00001-) Blade, Sqge, Front, 1256l Linard[800mm] (Standard)	1
▽	9015741	(00001-) Blade Kit, 800mm, Urethane (Option)	1
▲	1228920	(00001-) Blade, Sqge, Rear, 1306l,Urethane[800mm] (Option)	1
▲	1228922	(00001-) Blade, Sqge, Front,1256l Urethane[800mm] (Option)	1
▽	9015739	(00001-) Blade Kit, 800mm, Gum (Option)	1
▲	1228921	(00001-) Blade, Sqge, Rear, 1306l, Gum[800mm] (Option)	1
▲	1228923	(00001-) Blade, Sqge, Front, 1256l Gum[800mm] (Option)	1

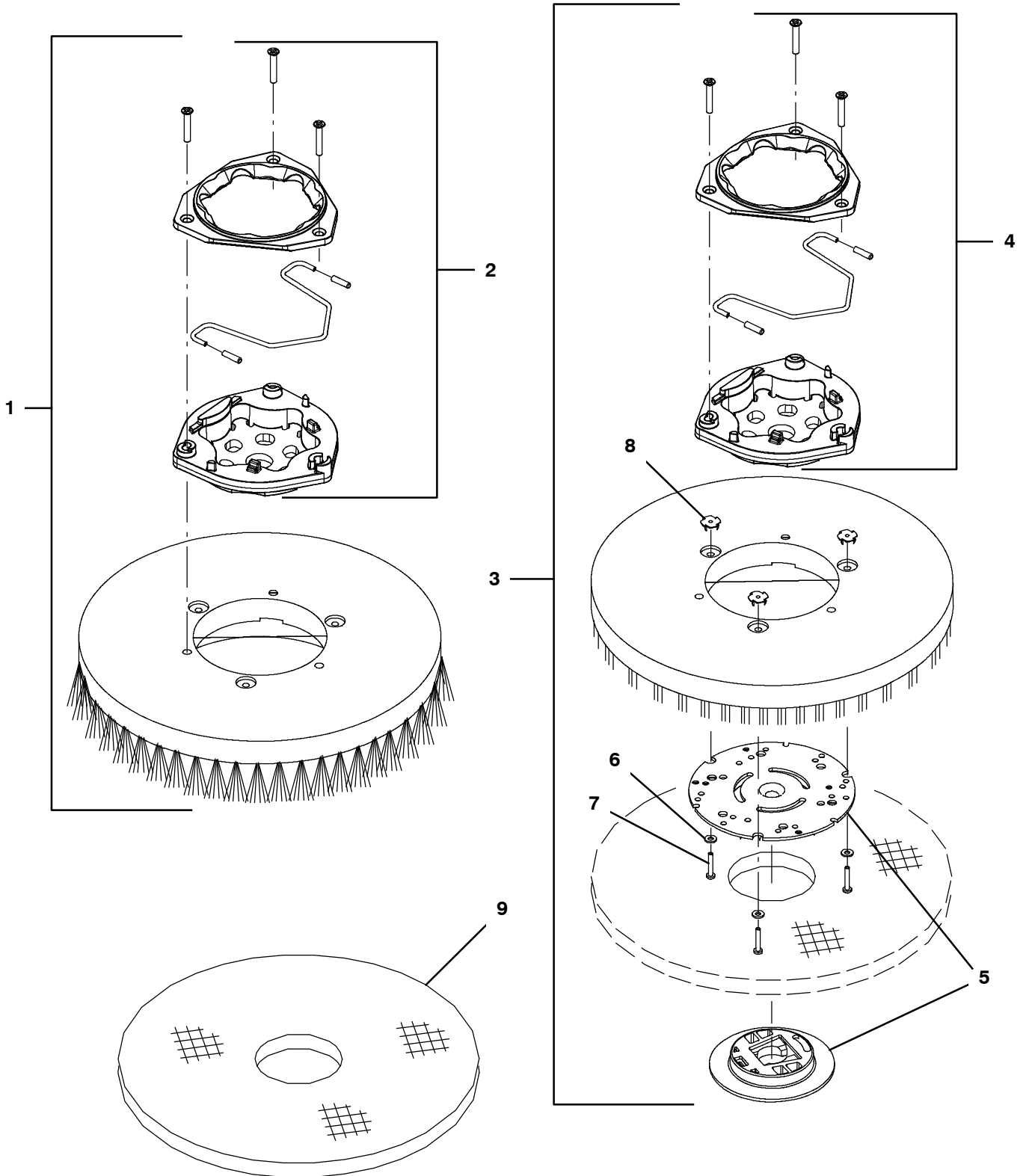
RECOMMENDED MAINTENANCE ITEMS

GENERAL RECOMMENDED MAINTENANCE ITEMS

	Part No.	Serial Number	Description	Qty.
▽	1226905	(00001-) Fan, Vacuum, 6.6d, 024vdc, 2 Stage	1
▲	1206774	(00001-) Vr, Brush Kit, Motor, Fan	1
	100038	(00001-) Gasket, .50, 02.63id 05.75od, Adh [Epdm]	1
	630052	(00001-) Float, Shut- Off, (2)Ball, 1.75d	1
	9015756	(00001-) Seal, Cover, Recvy, Ci [T500]	1
	1224414	(00001-) Hose Assy, W/2cuff, 1.5d 033l 1.5/1.5[Pu] (Gray)	1
▽	9015727	(00001-) Hose Kit, Drain, Pu, W/ Valve, Ci[T500e] (Gray)	1
▲	1051986	(00001-) Valve, Ball, 2way, 1.0id Pvc, W/Handle	1
▲	1228335	(00001-) Hose Assy, W/2cuff, 1.5d 022l 2.0/1.5[Pu] (Gray)	1
▲	1229567	(00001-) Strap, Hanger	1
	9015758	(00001-) Seal, Tank, Soltn, Ci [T500/T500e]	1
	1066431	(00001-) Seal, Afrmkt, Bulb, Dual, 03ft [F/.30gap] (Soltn Tank Front)	1
	1212422	(00001-) Caster, Swivel [Wicke 224051]	2
	1223583	(00001-) Wheel, Scrbr, 213mm, W/ Taper	2
▽	1031723	(00001-) Motor, Transaxle, 24vdc, Afrmkt [T5]	1
▲	614166	(00001-) Brush Kit, Carbon, Transaxle, Replmt [4]	1
▽	1211537	(00001-) Filter, In- Line, Pf06/Pf06 080m 2.6l Epd	1
▲	1218885	(00001-) Gasket [Epdm, F/1211537]	1
▲	1218883	(00001-) Screen, Fltr, 80 Mesh, Ss [W/ Cage]	1
▲	613991	(00001-) Bowl, Clr, Short, F/1005302	1
▽	9011810	(00001-) Module Kit, Replmt [Ec- H2o, B 02] (Includes Cartridge)	1
▽	9014127	(00001-) Controller Kit, Replmt [Ec- H2o Nc] (Includes Cartridge)	1
▲	9013646	(00001-) Cartridge, Ec- H2o Nanoclean Wcm, 270ml	1

REPLACEMENT BRUSHES AND PAD DRIVER DISK

355426



REPLACEMENT BRUSHES AND PAD DRIVER DISK

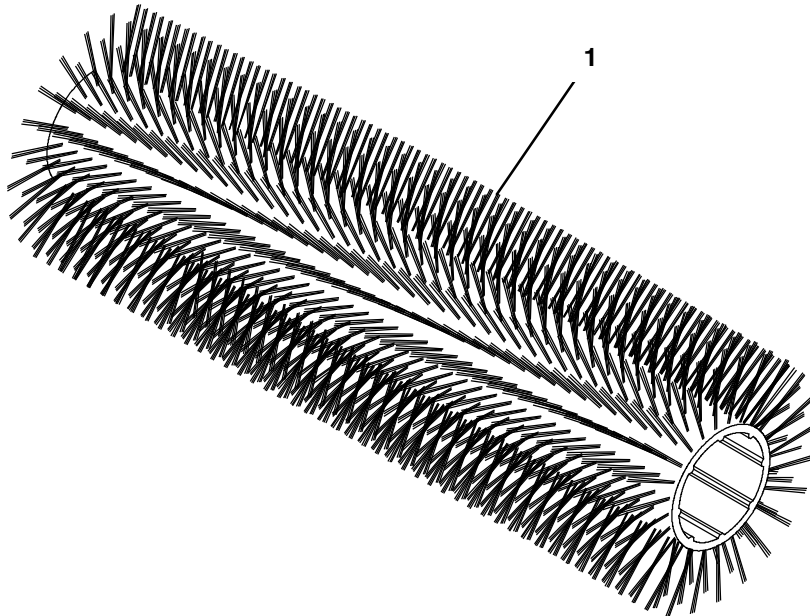
Ref.	Part No.	Serial Number	Description	Qty.
▽	1	1227060	(00001-) Brush Assy, Disk, Scb, 13.0d, Pyp	2
▽	1	1227059	(00001-) Brush Assy, Disk, Scb, 13.0d, Nyl	2
▽	1	1227061	(00001-) Brush Assy, Disk, Scb, 13.0d, Sab	2
▽	1	1223615	(00001-) Brush, Disk, Scb, 14.0d, Pyp [Tnv]	2
▽	1	1223613	(00001-) Brush, Disk, Scb, 14.0d, Nyl 6.6 [Tnv]	2
▽	1	1223619	(00001-) Brush, Disk, Scb, 14.0d, Abr [Tnv]	2
▽	1	1223627	(00001-) Brush, Disk, Scb, 16.0d, Pyp [Tnv]	2
▽	1	1221546	(00001-) Brush, Disk, Scb, 16.0d, Nyl 6.6 [Tnv]	2
▽	1	1223621	(00001-) Brush, Disk, Scb, 16.0d, Abr [Tnv]	2
▲	2	9014667	(00001-) Brush Kit, Hub Assy, Drive, Ci [Comm]	1
▽	3	1227101	(00001-) Driver Assy, Pad, 13.0d, Brush	2
▽	3	1221549	(00001-) Driver, Pad, 14.0d, Brush [Tnv]	2
▽	3	1221550	(00001-) Driver, Pad, 16.0d, Brush [Tnv]	2
▲	4	9014667	(00001-) Brush Kit, Hub Assy, Drive, Ci [Comm]	1
▲	5	370095	(00001-) Device, Centering, Clip On, TI [Gf Pp]	1
▲	6	41579	(00001-) Washer, Flat, 08, Ss	3
▲	7	04403	(00001-) Screw, Pan, Phl, M4 X 0.70 X 25, Ni, Ss	3
▲	8	10908	(00001-) Nut, T, M4 X 0.70	3
	9	995625	(00001-) Pad, Stripping, 13.0/330, Brown[3m, 5pc]	2
	9	994514	(00001-) Pad, Stripping, 13.0/330, Brown[5pc]	2
	9	995618	(00001-) Pad, Scb, 13.0inch /330 [3m Blu, 5pc]	2
	9	994515	(00001-) Pad, Scb, 13.0inch /330, Blu [5pc]	2
	9	995610	(00001-) Pad, Buff, 13.0/330, Red [3m, 5pc]	2
	9	994516	(00001-) Pad, Buff, 13.0/330, Red [5pc]	2
	9	994513	(00001-) Pad, Polish, 13.0/330, White [5pc]	2
	9	1215461	(00001-) Pad, Polish, 13.0d, Sienna [1pick=5pcs]	2
	9	1215453	(00001-) Pad, Polish, 13.0d, Purple [1pick=5pcs]	2
	9	995626	(00001-) Pad, Stripping, 14.0/355, Brown[3m, 5pc]	2
	9	994520	(00001-) Pad, Stripping, 14.0/355, Brown[5pc]	2
	9	995619	(00001-) Pad, Scb, 14.0inch /355 [3m Blu, 5pc]	2
	9	994519	(00001-) Pad, Scb, 14.0inch /355, Blu [5pc]	2
	9	995611	(00001-) Pad, Buff, 14.0/355, Red [3m, 5pc]	2
	9	994518	(00001-) Pad, Buff, 14.0/355, Red [5pc]	2
	9	994754	(00001-) Pad, Polish, 14.0/355, White [5pc]	2
	9	1215462	(00001-) Pad, Polish, 14.0d, Sienna [1pick=5pcs]	2
	9	1215454	(00001-) Pad, Polish, 14.0d, Purple [1pick=5pcs]	2
	9	995627	(00001-) Pad, Stripping, 16.0/406, Brown[3m, 5pc]	2
	9	994523	(00001-) Pad, Stripping, 16.0/406, Brown[5pc]	2
	9	995620	(00001-) Pad, Scb, 16.0inch /406 [3m Blu, 5pc]	2
	9	994524	(00001-) Pad, Scb, 16.0inch /406, Blu	2
	9	995612	(00001-) Pad, Buff, 16.0/406, Red [3m, 5pc]	2
	9	994525	(00001-) Pad, Buff, 16.0/406, Red [5pc]	2
	9	994526	(00001-) Pad, Polish, 16.0/406, White [5pc]	2
	9	1215463	(00001-) Pad, Polish, 16.0d, Sienna [1pick=5pcs]	2
	9	1215455	(00001-) Pad, Polish, 16.0d, Purple [1pick=5pcs]	2

▽ ASSEMBLY

▲ INCLUDED IN ASSEMBLY

REPLACEMENT BRUSHES CYLINDRICAL

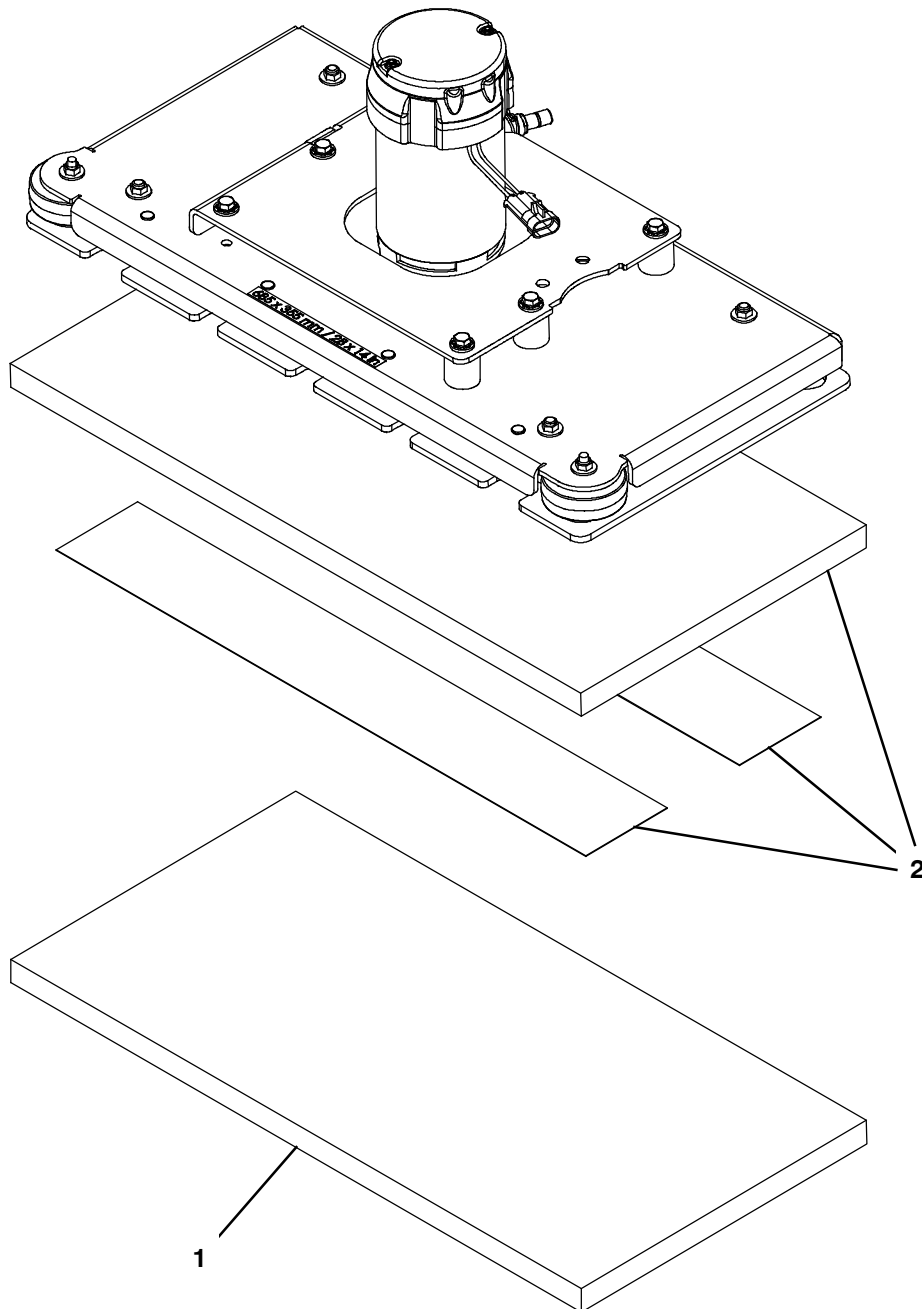
355427



Ref.	Part No.	Serial Number	Description	Qty.
1	222304	(00001-) Brush, Scb, 28l, 18sr, Pyp, Spl	2
1	222305	(00001-) Brush, Scb, 28l, 18sr, Nyl, Spl	2
1	222306	(00001-) Brush, Scb, 28l, 18sr, Abr, Spl	2

REPLACEMENT PADS ORBITAL

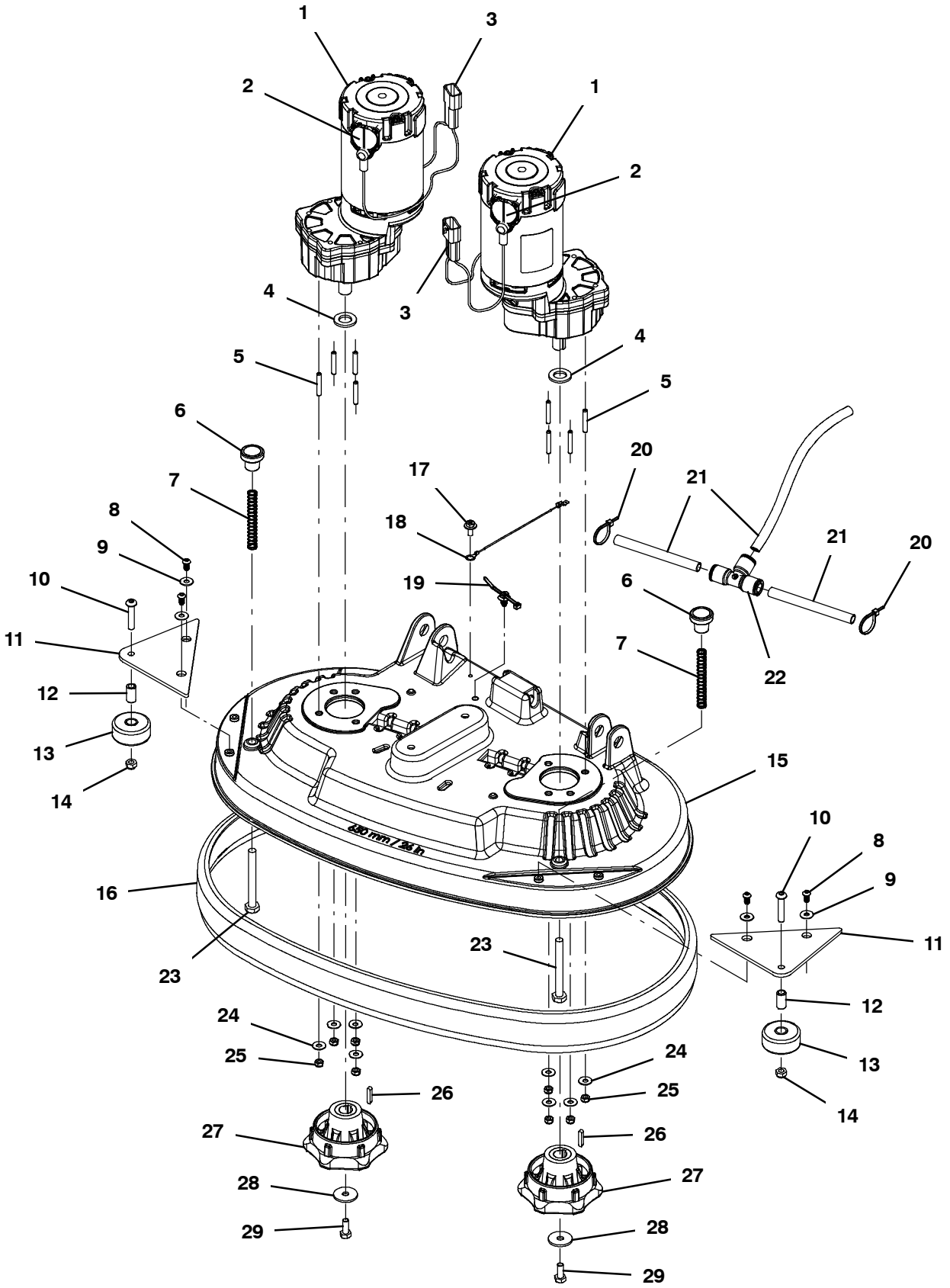
355478



Ref.	Part No.	Serial Number	Description	Qty.
1	1223247	(00001-) Pad, Scb, 28 X 14, Blu [1pick=1pc]	1
1	1218157	(00001-) Pad, Buff, 28 X 14, Red [1pick=1pc]	1
1	1223246	(00001-) Pad, Polish, 28 X 14, White [1pick=1pc]	1
1	1223248	(00001-) Pad, Surf Prep, 28 X 14, Mar [1pick=1pc]	1
1	1223250	(00001-) Pad, Scb, 28 X 14, Green [1pick=1ctn]	1
2	1221839	(00001-) Pad, Backer, 28 X 14 (Includes Velcro Fasteners)	1

SCRUB HEAD GROUP, DISK 650MM / 26IN

355421



SCRUB HEAD GROUP, DISK 650MM / 26IN

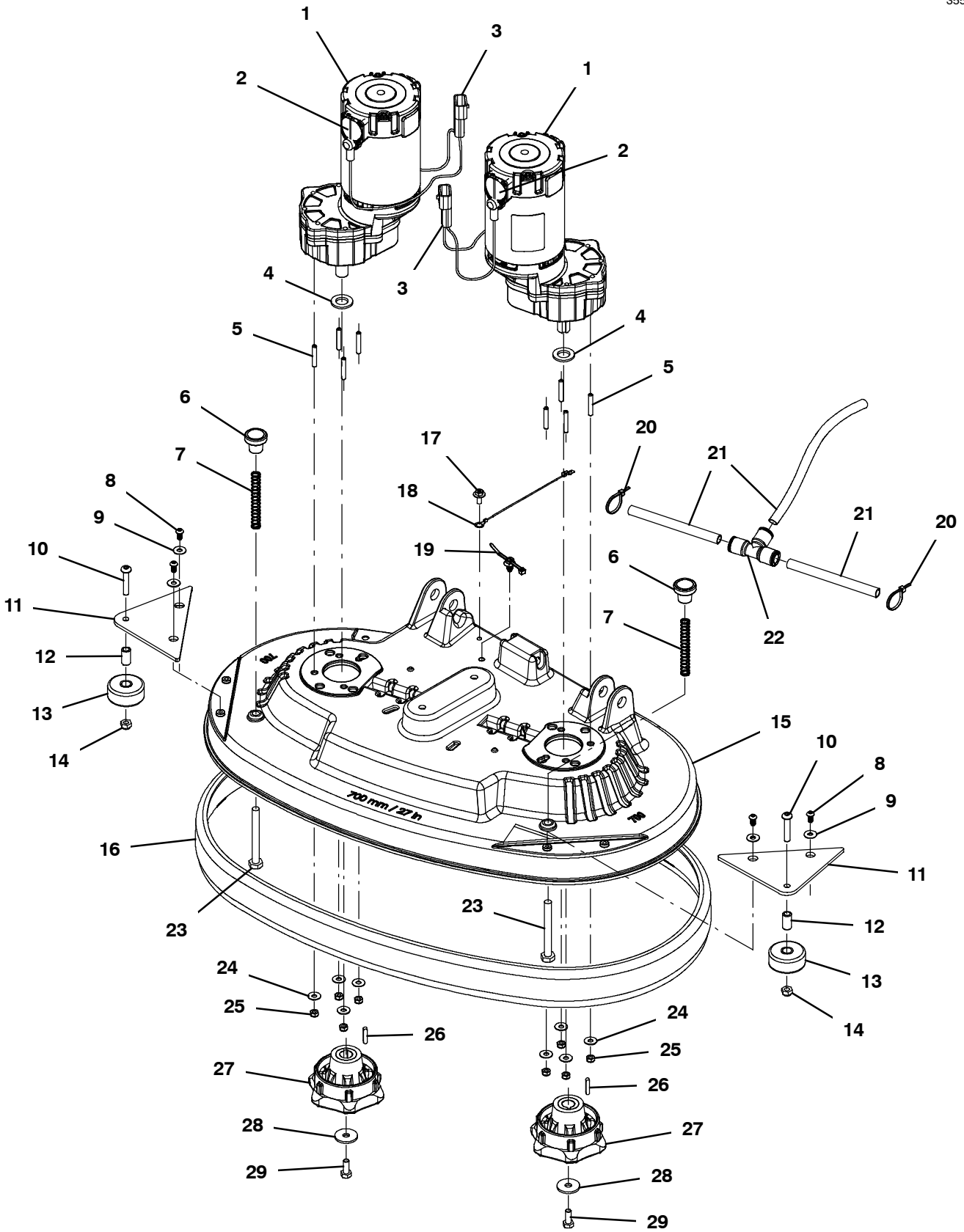
Ref.	Part No.	Serial Number	Description	Qty.
▽	1	1023067	(00001-) Motor, Ele, 24vdc 0220rpm 0.75hp Gear	2
▲	2	1031775	(00001-) Brush Kit, Carbon, Motor, Replmt [T5]	1
▲	3	1031681	(00001-) Harness, Connector, Brush- Motor [T5] Us	1
	4	1022549	(00001-) Spacer, Shaft, 17.15b 30.0d 3.0l, Ss	2
	5	1025853	(00001-) Screw, Set, M6 X 1.00 X 35, NI, Ss	8
	6	1222988	(00001-) Knob, Rnd, 31.0d 27.0l M10, Plstc	2
	7	626081	(00001-) Spring, Cmpr, 0.48od .04wir 03.5l	2
	8	1227865	(00001-) Screw, Trs, M6 X 1.0 X 12, Phl, Ss, NI	4
	9	01684	(00001-) Washer, Flat, 0.27b 0.69d .05, Ss	4
	10	397826	(00001-) Screw, Btn, M8 X 1.25 X 40, Ss	2
	11	1227709	(00001-) Bracket, Roller, Wall	2
	12	222496	(00001-) Sleeve, P/M, 0.32b 0.50d 0.9l [430ss]	2
	13	222403	(00001-) Wheel, 02.0d 0.88w 0.50b	2
	14	08713	(00001-) Nut, Hex, Lock, M8 X 1.25, NI, Ss	2
	15	1222365	(00001-) Housing, Disc, Dual, 65cm [Machined]	1
	16	1221522	(00001-) Bumper, Head, 65cm, Skirt, Im [T500]	1
	17	1034731	(00001-) Screw, Hex, M6 X 1.00 X 16, Sems, Ss	1
	18	1074344	(00001-) Harness, Ele [Ring With .250m Tail]	1
	19	1210807	(00001-) Wire, Tie [W/.25" Fir Tree Clip]	1
	20	130773	(00001-) Tie, Cable, Nyl, 11.0l, .14w, 3.0 Max. D	2
	21	9014145	(00001-) Hose, Afrmkt, Pe, .375id .50od, 05ft	1
	22	1212858	(00001-) Fitting, Plstc, Tee, Qf08/Qf08/Qf08	1
	23	09746	(00001-) Screw, Hex, M10 X 1.50 X 90, Ss	2
	24	01684	(00001-) Washer, Flat, 0.27b 0.69d .05, Ss	8
	25	08712	(00001-) Nut, Hex, Lock, M6 X 1.00, NI, Ss	8
	26	1014328	(00001-) Key, Sq, 05mm X 05mm, 25mml	2
	27	1071637	(00001-) Hub, Drive, Brush, Disk, 17mmb	2
	28	1017218	(00001-) Washer, Flat, 0.32b 1.00d .12, Ss	2
	29	12273	(00001-) Screw, Hex, M8 X 1.25 X 20, NI, Ss	2

▽ ASSEMBLY

▲ INCLUDED IN ASSEMBLY

SCRUB HEAD GROUP, DISK 700MM / 28IN

355422



SCRUB HEAD GROUP, DISK 700MM / 28IN

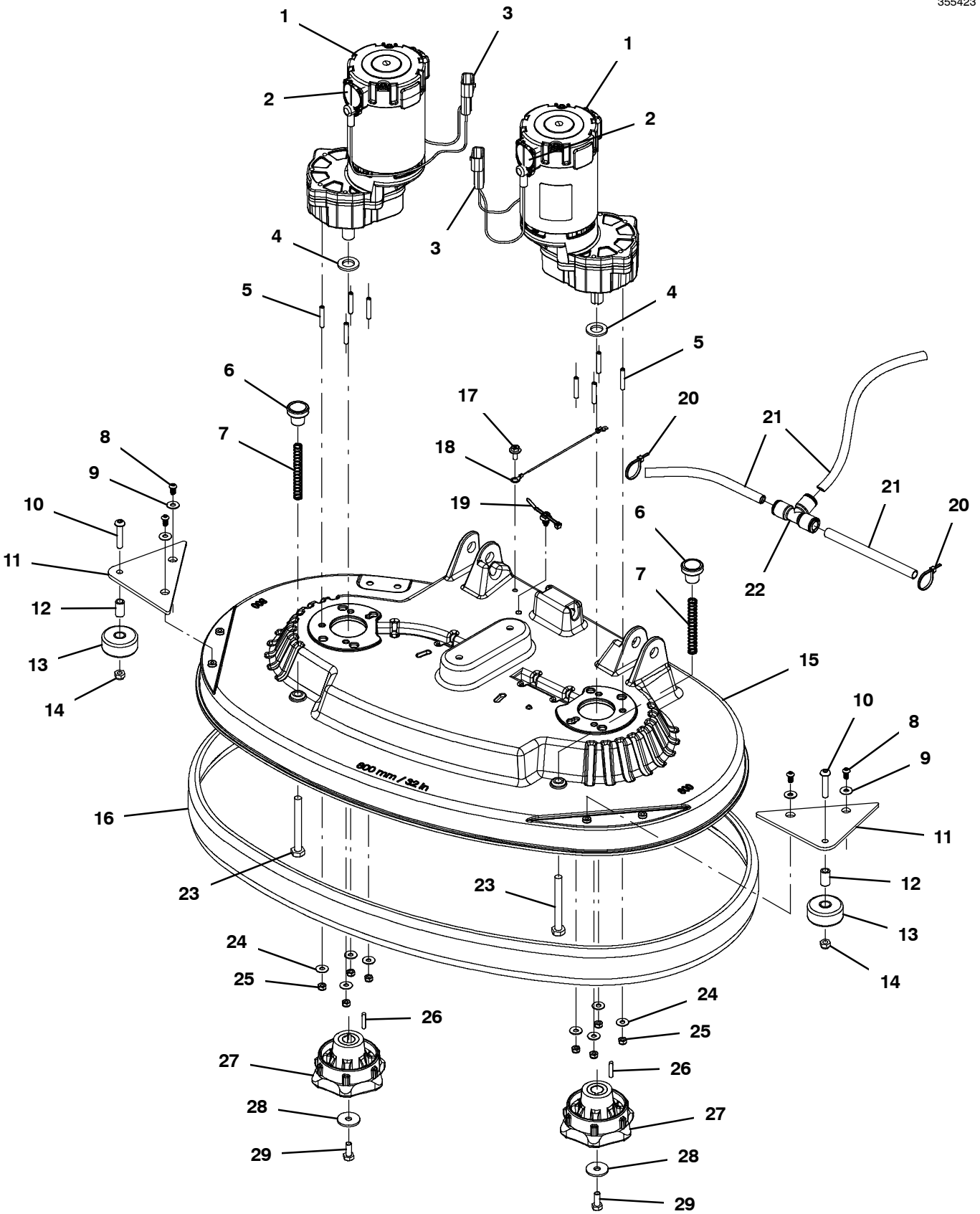
Ref.	Part No.	Serial Number	Description	Qty.
▽	1	1023067	(00001-) Motor, Ele, 24vdc 0220rpm 0.75hp Gear	2
▲	2	1031775	(00001-) Brush Kit, Carbon, Motor, Replmt [T5]	1
▲	3	1031681	(00001-) Harness, Connector, Brush- Motor [T5] Us	1
	4	1022549	(00001-) Spacer, Shaft, 17.15b 30.0d 3.0l, Ss	2
	5	1025853	(00001-) Screw, Set, M6 X 1.00 X 35, NI, Ss	8
	6	1222988	(00001-) Knob, Rnd, 31.0d 27.0l M10, Plstc	2
	7	626081	(00001-) Spring, Cmpr, 0.48od .04wir 03.5l	2
	8	1227865	(00001-) Screw, Trs, M6 X 1.0 X 12, Phl, Ss, NI	4
	9	01684	(00001-) Washer, Flat, 0.27b 0.69d .05, Ss	4
	10	397826	(00001-) Screw, Btn, M8 X 1.25 X 40, Ss	2
	11	1227709	(00001-) Bracket, Roller, Wall	2
	12	222496	(00001-) Sleeve, P/M, 0.32b 0.50d 0.9l [430ss]	2
	13	222403	(00001-) Wheel, 02.0d 0.88w 0.50b	2
	14	08713	(00001-) Nut, Hex, Lock, M8 X 1.25, NI, Ss	2
	15	1222364	(00001-) Housing, Disc, Dual, 70cm [Machined]	1
	16	1221520	(00001-) Bumper, Head, 70cm, Skirt, Im [T500]	1
	17	1034731	(00001-) Screw, Hex, M6 X 1.00 X 16, Sems, Ss	1
	18	1074344	(00001-) Harness, Ele [Ring With .250m Tail]	1
	19	1210807	(00001-) Wire, Tie [W/.25" Fir Tree Clip]	1
	20	130773	(00001-) Tie, Cable, Nyl, 11.0l, .14w, 3.0 Max. D	2
	21	9014145	(00001-) Hose, Afrmkt, Pe, .375id .50od, 05ft	1
	22	1212858	(00001-) Fitting, Plstc, Tee, Qf08/Qf08/Qf08	1
	23	09746	(00001-) Screw, Hex, M10 X 1.50 X 90, Ss	2
	24	01684	(00001-) Washer, Flat, 0.27b 0.69d .05, Ss	8
	25	08712	(00001-) Nut, Hex, Lock, M6 X 1.00, NI, Ss	8
	26	1014328	(00001-) Key, Sq, 05mm X 05mm, 25mm	2
	27	1071637	(00001-) Hub, Drive, Brush, Disk, 17mmb	2
	28	1017218	(00001-) Washer, Flat, 0.32b 1.00d .12, Ss	2
	29	12273	(00001-) Screw, Hex, M8 X 1.25 X 20, NI, Ss	2

▽ ASSEMBLY

▲ INCLUDED IN ASSEMBLY

SCRUB HEAD GROUP, DISK 800MM / 32IN

355423



SCRUB HEAD GROUP, DISK 800MM / 32IN

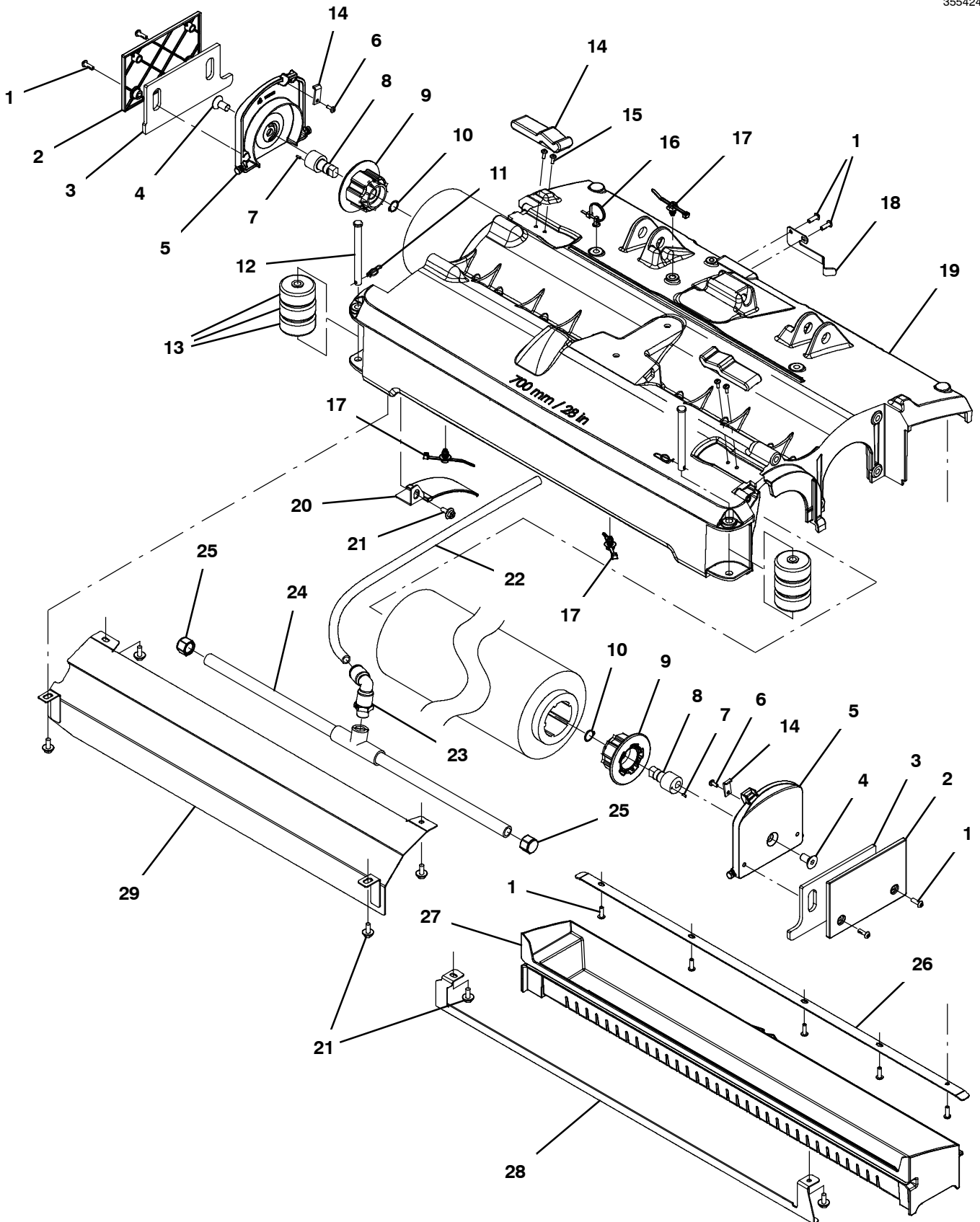
Ref.	Part No.	Serial Number	Description	Qty.
▽	1	1023067	(00001-) Motor, Ele, 24vdc 0220rpm 0.75hp Gear	2
▲	2	1031775	(00001-) Brush Kit, Carbon, Motor, Replmt [T5]	1
▲	3	1031681	(00001-) Harness, Connector, Brush- Motor [T5] Us	1
	4	1022549	(00001-) Spacer, Shaft, 17.15b 30.0d 3.0l, Ss	2
	5	1025853	(00001-) Screw, Set, M6 X 1.00 X 35, NI, Ss	8
	6	1222988	(00001-) Knob, Rnd, 31.0d 27.0l M10, Plstc	2
	7	626081	(00001-) Spring, Cmpr, 0.48od .04wir 03.5l	2
	8	1227865	(00001-) Screw, Trs, M6 X 1.0 X 12, Phl, Ss, NI	4
	9	01684	(00001-) Washer, Flat, 0.27b 0.69d .05, Ss	4
	10	397826	(00001-) Screw, Btn, M8 X 1.25 X 40, Ss	2
	11	1227709	(00001-) Bracket, Roller, Wall	2
	12	222496	(00001-) Sleeve, P/M, 0.32b 0.50d 0.9l [430ss]	2
	13	222403	(00001-) Wheel, 02.0d 0.88w 0.50b	2
	14	08713	(00001-) Nut, Hex, Lock, M8 X 1.25, NI, Ss	2
	15	1222293	(00001-) Housing, Disc, Dual, 80cm [Machined]	1
	16	1221512	(00001-) Bumper, Head, 80cm, Skirt, Im [T500]	1
	17	1034731	(00001-) Screw, Hex, M6 X 1.00 X 16, Sems, Ss	1
	18	1074344	(00001-) Harness, Ele [Ring With .250m Tail]	1
	19	1210807	(00001-) Wire, Tie [W/.25" Fir Tree Clip]	1
	20	130773	(00001-) Tie, Cable, Nyl, 11.0l, .14w, 3.0 Max. D	2
	21	9014145	(00001-) Hose, Afrmkt, Pe, .375id .50od, 05ft	1
	22	1212858	(00001-) Fitting, Plstc, Tee, Qf08/Qf08/Qf08	1
	23	09746	(00001-) Screw, Hex, M10 X 1.50 X 90, Ss	2
	24	01684	(00001-) Washer, Flat, 0.27b 0.69d .05, Ss	8
	25	08712	(00001-) Nut, Hex, Lock, M6 X 1.00, NI, Ss	8
	26	1014328	(00001-) Key, Sq, 05mm X 05mm, 25mml	2
	27	1071637	(00001-) Hub, Drive, Brush, Disk, 17mmb	2
	28	1017218	(00001-) Washer, Flat, 0.32b 1.00d .12, Ss	2
	29	12273	(00001-) Screw, Hex, M8 X 1.25 X 20, NI, Ss	2

▽ ASSEMBLY

▲ INCLUDED IN ASSEMBLY

SCRUB HEAD GROUP, CYLINDRICAL 700MM / 28IN

355424

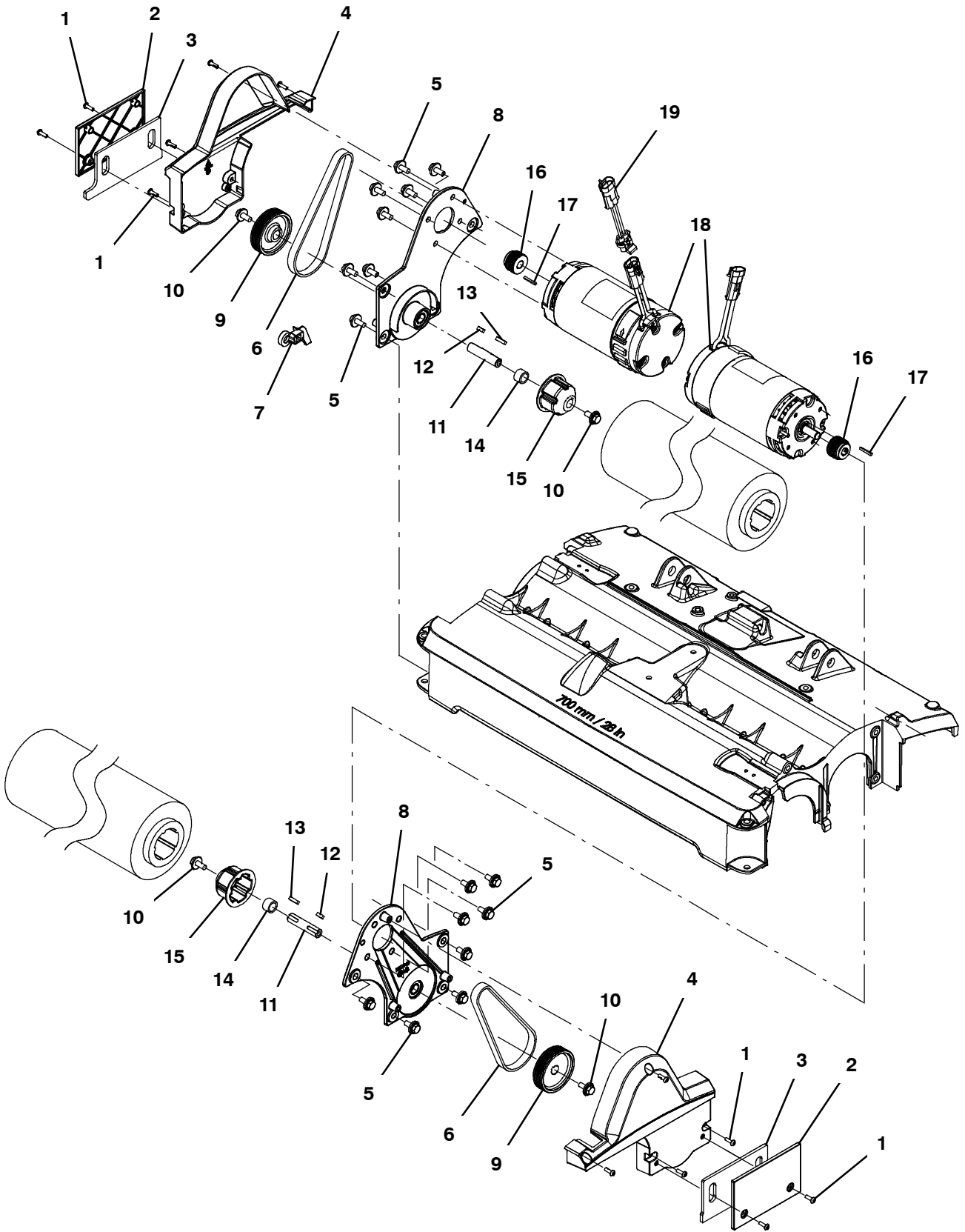


SCRUB HEAD GROUP, CYLINDRICAL 700MM / 28IN

Ref.	Part No.	Serial Number	Description	Qty.
1	1205799	(00001-) Screw, Btn, M5 X 0.8 X 16, 8.8, NI, Torx	2
2	1218032	(00001-) Cover, Skirt, 2cyl [T500]	2
3	1218573	(00001-) Skirt, Side, Scrub, Cyl [T500]	2
4	390996	(00001-) Screw, Flt, Soc, M10 X 1.50 X 20, 10.9, NI	2
5	1218692	(00001-) Door, Brush, 2cyl [Machined, T500]	1
6	49697	(00001-) Screw, Pan, Phl, M4 X 0.70 X 10, Ss	6
7	222184	(00001-) Pin, Roll, .094d X 0.25l, .094/.097	2
8	222177	(00001-) Shaft, Plug, Idler	2
9	1057629	(00001-) Plug, Idler, Brush [Sgl Brg]	2
10	01516	(00001-) Ring, Retaining, Ext, 0.59d, Basic	2
11	1216647	(00001-) Pin, Cotter, Hair, 0.38d .054 Wir	2
12	49914	(00001-) Pin, Clevis, 0.37d X 4.00l	2
13	630477	(00001-) Wheel, Pyu, 02.0d 0.38w, Gray	6
14	1207285	(00001-) Latch, Draw, Rbr, W/ Keeper, Yellow	2
15	49697	(00001-) Screw, Pan, Phl, M4 X 0.70 X 10, Ss	6
16	1221161	(00001-) Tie, Cable, Nyl, Push Mount, 76mm Max D	1
17	1210807	(00001-) Wire, Tie [W/.25" Fir Tree Clip]	3
18	1218242	(00001-) Bracket, Spring, Tray, Debris [T500]	1
19	1217942	(00001-) Housing, Cyl, 70cm [Machined]	1
20	1029358	(00001-) Deflector, Water, Cyl Head	1
21	1034731	(00001-) Screw, Hex, M6 X 1.00 X 16, Sems, Ss	7
22	9014145	(00001-) Hose, Afrmkt, Pe, .375id .50od, 05ft	1
23	1212987	(00001-) Fitting, Plstc, E90, Qf08/Pm06, Swivel	1
24	1046049	(00001-) Tube Assy, Bar, Spray, 70cm [T5, 5680]	1
25	1025580	(00001-) Fitting, Pipe, Cap, P06, Nyl	2
26	1218153	(00001-) Bracket, Tray, Debris [T500]	1
27	1218144	(00001-) Tray, Debris, 700mm [Im] [Rhine]	1
28	1218577	(00001-) Bracket, Slide, Tray, Debris	1
29	1219969	(00001-) Panel Wldt, Wrap, Brush [T500]	1

SCRUB HEAD GROUP, CYLINDRICAL 700MM / 28IN - CONT'D

355430



SCRUB HEAD GROUP, CYLINDRICAL 700MM / 28IN - CONT'D

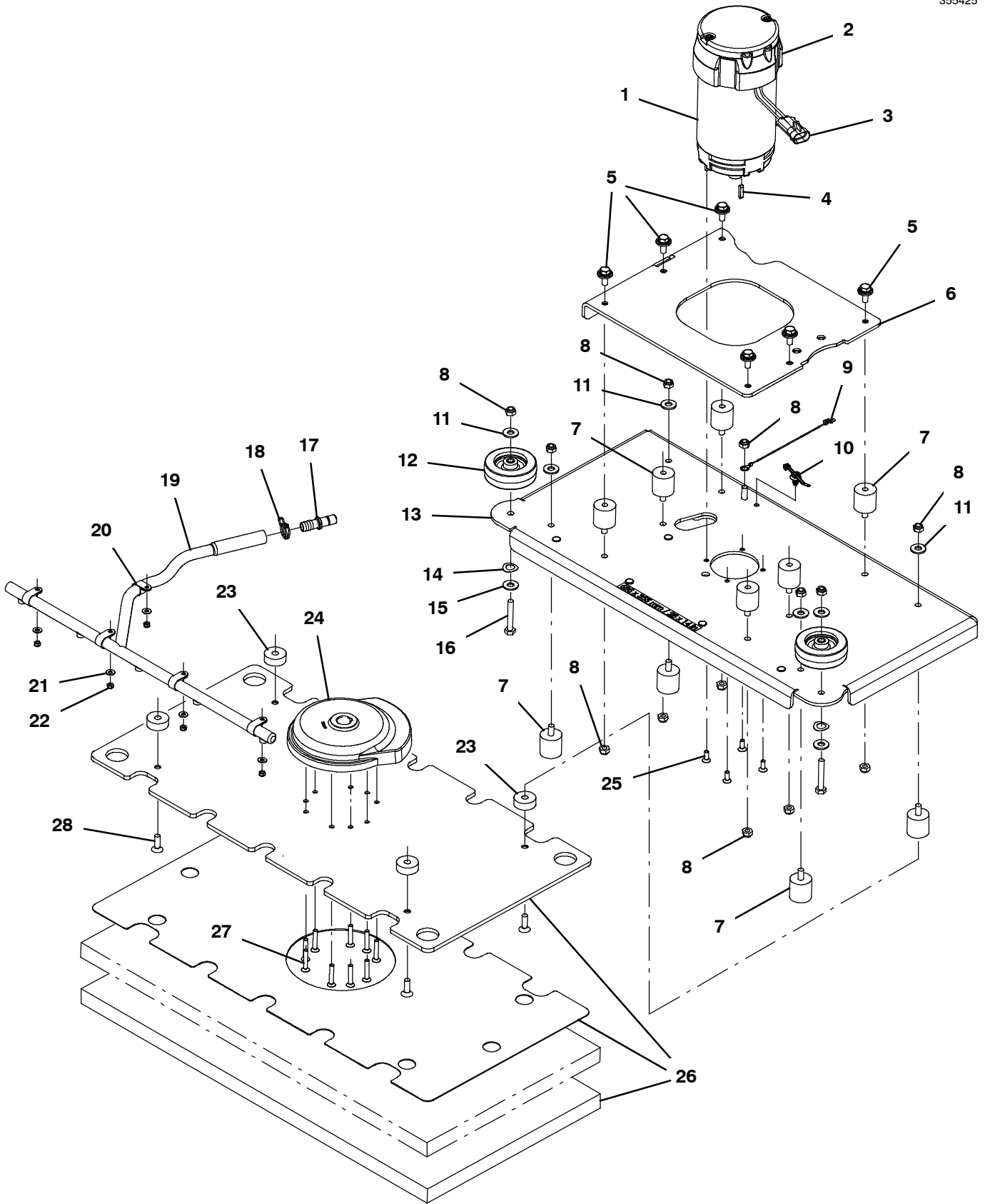
Ref.	Part No.	Serial Number	Description	Qty.
1	1205799	(00001-) Screw, Btn, M5 X 0.8 X 16, 8.8, NI, Torx	12
2	1218032	(00001-) Cover, Skirt, 2cyl [T500]	2
3	1218573	(00001-) Skirt, Side, Scrub, Cyl [T500]	2
4	1218012	(00001-) Cover, Belt, 2 Cyl [T500]	2
5	1020341	(00001-) Screw, Hex, M8 X 1.25 X 20, Ss, Sems	16
▽	6	9015765	(00001-) Belt Replacement Kit (Cylindrical)	1
▲	7	1213132	(00001-) Tool, Installation, Belt	1
▽	8	9018012	(00001-) Bracket Assy, Motor, Ci (Also Includes Bearings Not Available Separately)	2
▲	9	1035173	(00001-) Sheave, 06grv, 2.96pd 0.59b, Alm [Pj]	1
▲	10	1020341	(00001-) Screw, Hex, M8 X 1.25 X 20, Ss, Sems	2
▲	11	1021050	(00001-) Shaft, Drive, 15.0d X 65.5l [T5, 1610]	1
▲	12	00961	(00001-) Key, Sq, 0.19 X 0.19, 0.50l	1
▲	13	00911	(00001-) Key, Sq, 0.19 X 0.19, 0.75l	1
▲	14	1002077	(00001-) Tube, 0.59id 0.81od 00.5l	1
▲	15	378805	(00001-) Plug, Drive, Brush, Mach	1
	16	1033528	(00001-) Sheave, 06grv, 1.33pd 0.50b, Alm [Pj]	2
	17	00954	(00001-) Key, Sq, 0.12 X 0.12, 1.00l	2
▽	18	1223429	(00001-) Motor, Ele, 24vdc 1500rpm 0.60hp	2
▲		1031775	(00001-) Brush Kit, Carbon, Motor, Replmt [T5]	1
	19	1052895	(00001-) Harness, Adapter, Motor [T7/T5]	1

▽ ASSEMBLY

▲ INCLUDED IN ASSEMBLY

SCRUB HEAD GROUP, ORBITAL 700MM / 28IN

355425



SCRUB HEAD GROUP, ORBITAL 700MM / 28IN

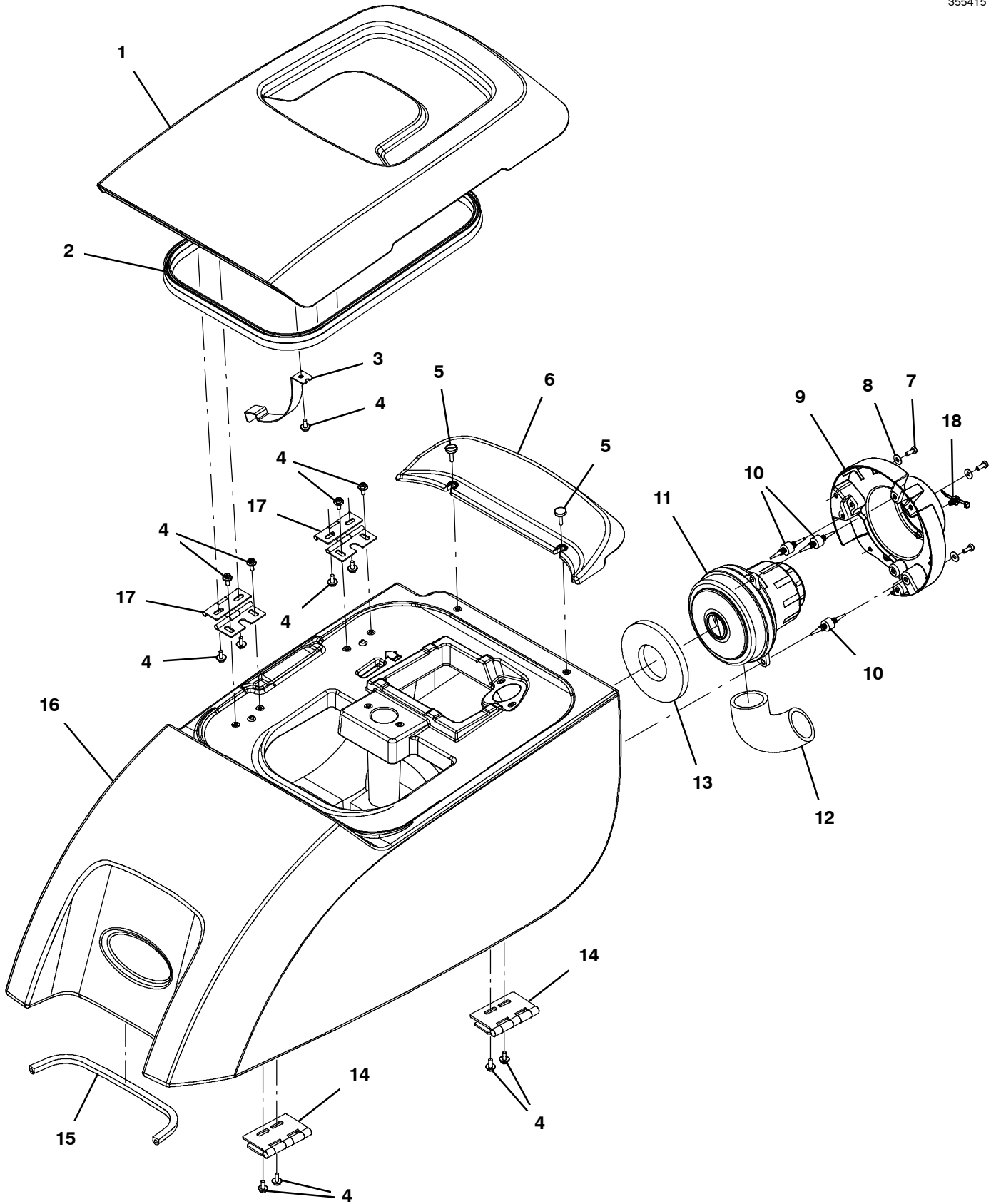
Ref.	Part No.	Serial Number	Description	Qty.
▽	1	1219913	(00001-) Motor, Ele, 24vdc, 2200rpm, 0.75hp 28.0a	1
▲	2	1059370	(00001-) Brush, Motor, Replmt [Bag Of 4]	1
▲	3	1031681	(00001-) Harness, Connector, Brush- Motor [T5] Us	1
	4	1231238	(00001-) Key, Sq, 5mm X 5mm X 22mm	1
	5	1020341	(00001-) Screw, Hex, M8 X 1.25 X 20, Ss, Sems	6
	6	1220910	(00001-) Bracket Wldt, Mtg, Head	1
	7	1212543	(00001-) Isolator, Neoprene, 1.25" X 1.25", M8	13
	8	08713	(00001-) Nut, Hex, Lock, M8 X 1.25, NI, Ss	1
	9	1074344	(00001-) Harness, Ele [Ring With .250m Tail]	1
	10	1210807	(00001-) Wire, Tie [W/.25" Fir Tree Clip]	1
	11	01685	(00001-) Washer, Flat, 0.38b 0.88d .08, Ss	6
	12	1014918AM	(00001-) Wheel, 03.0d 0.88w 0.31b, W/ Bshg, Rbr	2
	13	1221766	(00001-) Housing Wldt, Brush	1
	14	1210221	(00001-) Washer, Wave, .515b, .875d, .013, Ss	2
	15	01685	(00001-) Washer, Flat, 0.38b 0.88d .08, Ss	2
	16	33401	(00001-) Screw, Hex, M8 X 1.25 X 50, FI, Ss	2
	17	1212807	(00001-) Fitting, Plstc, Str, Qm08/Bm08	1
	18	607776	(00001-) Clamp, Hose, Wir, .73 - .77, Silver	1
	19	1222903	(00001-) Manifold, Bar, Spray [28in]	1
	20	140916	(00001-) Clamp, Cable, Nyl, 0.62d, Nat	5
	21	01683	(00001-) Washer, Flat, 10, Ss	4
	22	09739	(00001-) Nut, Hex, Lock, M5 X 0.80, NI, Ss	4
	23	1221850	(00001-) Spacer, Head	4
	24	9015774	(00001-) Eccentric Drive Kit, Orbital	1
	25	09163	(00001-) Screw, Flt, Soc, M6 X 1.00 X 16, 18- 8,Ss	4
	26	9015416	(00001-) Driver Kit, Pad, Ci [T500] (Includes Driver Plate, Driver Face, & Red Buffing Pad)	1
	27	1212710	(00001-) Screw, Flt, Soc, M6 X 1.00 X 35, 10.9,NI	6
	28	74077	(00001-) Screw, Flt, Soc, M8 X 1.25 X 25, Ss	4

▽ ASSEMBLY

▲ INCLUDED IN ASSEMBLY

RECOVERY TANK GROUP

355415



RECOVERY TANK GROUP

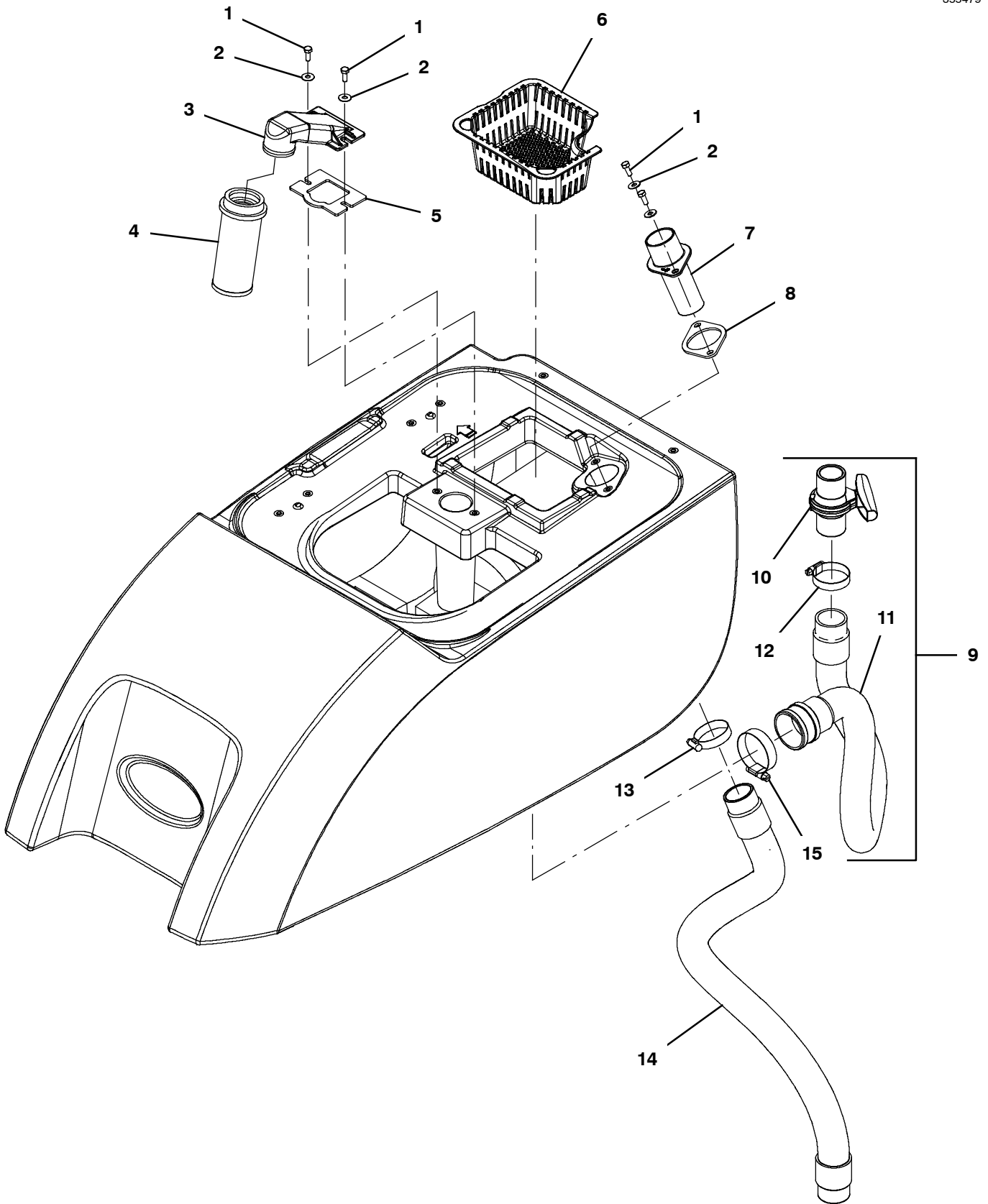
Ref.	Part No.	Serial Number	Description	Qty.
▽	1	9015751	(00001-) Kit, Cover, Recvy, Ci [Ce,T500]	1
▲	2	9015756	(00001-) Seal, Cover, Recvy, Ci [T500]	1
	3	1219333	(00001-) Support, Lid, Recvy Tank	1
	4	1034731	(00001-) Screw, Hex, M6 X 1.00 X 16, Sems, Ss	12
	5	1046631	(00001-) Knob, Rnd,19.4d 7.6l M6 X 20, Plstc, Pl	2
	6	1223499	(00001-) Shield, Spray, Recvy Tank	1
	7	11329	(00001-) Screw, Hex, M6 X 1.00 X 16, NI, Ss	3
	8	01684	(00001-) Washer, Flat, 0.27b 0.69d .05, Ss	3
	9	1207368	(00001-) Mount, Vacfan, 5.7/6.6	1
	10	1062016	(00001-) Isolator, Vib, .75d	3
▽	11	1226905	(00001-) Fan, Vacuum, 6.6d, 024vdc, 2 Stage	1
▲		1206774	(00001-) Vr, Brush Kit, Motor, Fan	1
	12	1068577	(00001-) Muffler, Exhaust, Vacfan, 150mmI [T2/T3]	1
	13	100038	(00001-) Gasket, .50, 02.63id 05.75od, Adh [Epdm]	1
	14	1217669	(00001-) Hinge Assy, 7.0 Pin, 11 Ga, 100l X 105w	2
	15	9015757	(00001-) Seal, Tank, Recvy, Ci [T500/T500e]	1
	16	9015760	(00001-) Kit, Tank, Recvy, Ci [T500]	1
	17	1219334	(00001-) Hinge, 4mm Pin, 2.0thk X 83.0mmw, 3 Leaf	2
	18	1210807	(00001-) Wire, Tie [W/.25" Fir Tree Clip]	1

▽ ASSEMBLY

▲ INCLUDED IN ASSEMBLY

RECOVERY TANK FILTER AND HOSE GROUP, CONTROL VALVE

355479



RECOVERY TANK FILTER AND HOSE GROUP, CONTROL VALVE

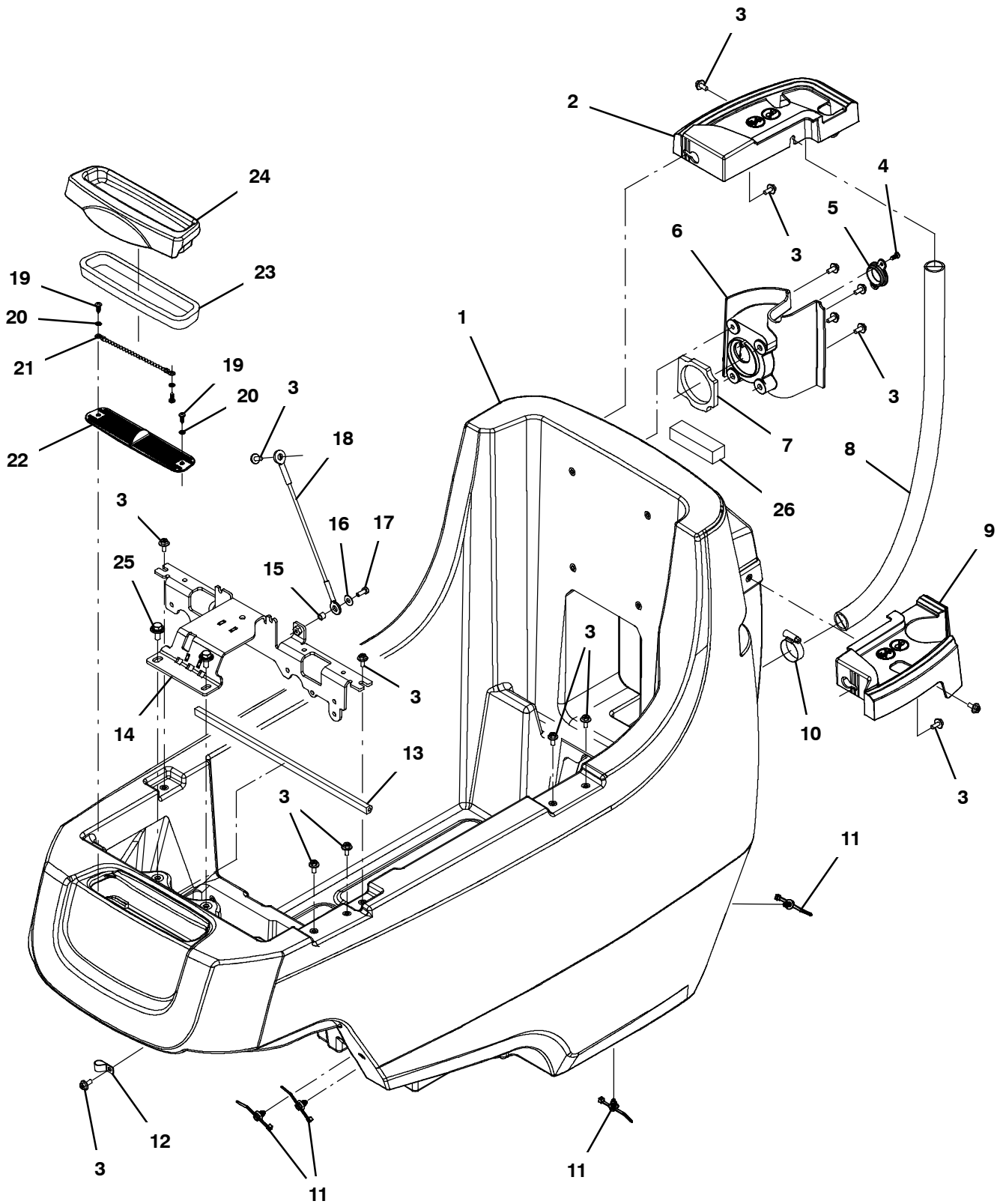
Ref.	Part No.	Serial Number	Description	Qty.	
1	11329	(00001-) Screw, Hex, M6 X 1.00 X 16, NI, Ss	2	
2	01684	(00001-) Washer, Flat, 0.27b 0.69d .05, Ss	2	
3	1011777	(00001-) Mount, Float, Mold	1	
4	630052	(00001-) Float, Shut- Off, (2)Ball, 1.75d	1	
5	1013628	(00001-) Gasket, Mtg, Float, .125th, Neo, Adh	1	
6	1207357	(00001-) Tray, Debris, Tank, Recvy [T300]	1	
7	1219618	(00001-) Tube, Hose, Adapter, 1.5d [T500]	1	
8	1037106	(00001-) Gasket, Adapter, Hose .13, Neo	1	
▽	9	9015726	(00001-) Hose Kit, Drain, Pu, W/ Valve, Ci[T500] (Gray)	1
▲	10	1051986	(00001-) Valve, Ball, 2way, 1.0id Pvc, W/Handle	1
▲	11	1225817	(00001-) Hose Assy, W/2cuff,1.5d 027l 2.0/1.5[Pu] (Gray)	1
▲	12	11531	(00001-) Clamp, Hose, Wormdrive, 1.06- 2.00d, .56w	1
	13	1224414	(00001-) Hose Assy, W/2cuff,1.5d 033l 1.5/1.5[Pu] (Gray)	1
	14	11531	(00001-) Clamp, Hose, Wormdrive, 1.06- 2.00d, .56w	1
	15	22297	(00001-) Clamp, Hose, Wormdrive, 1.56- 2.50d, .50w	1

▽ ASSEMBLY

▲ INCLUDED IN ASSEMBLY

SOLUTION TANK GROUP

355414

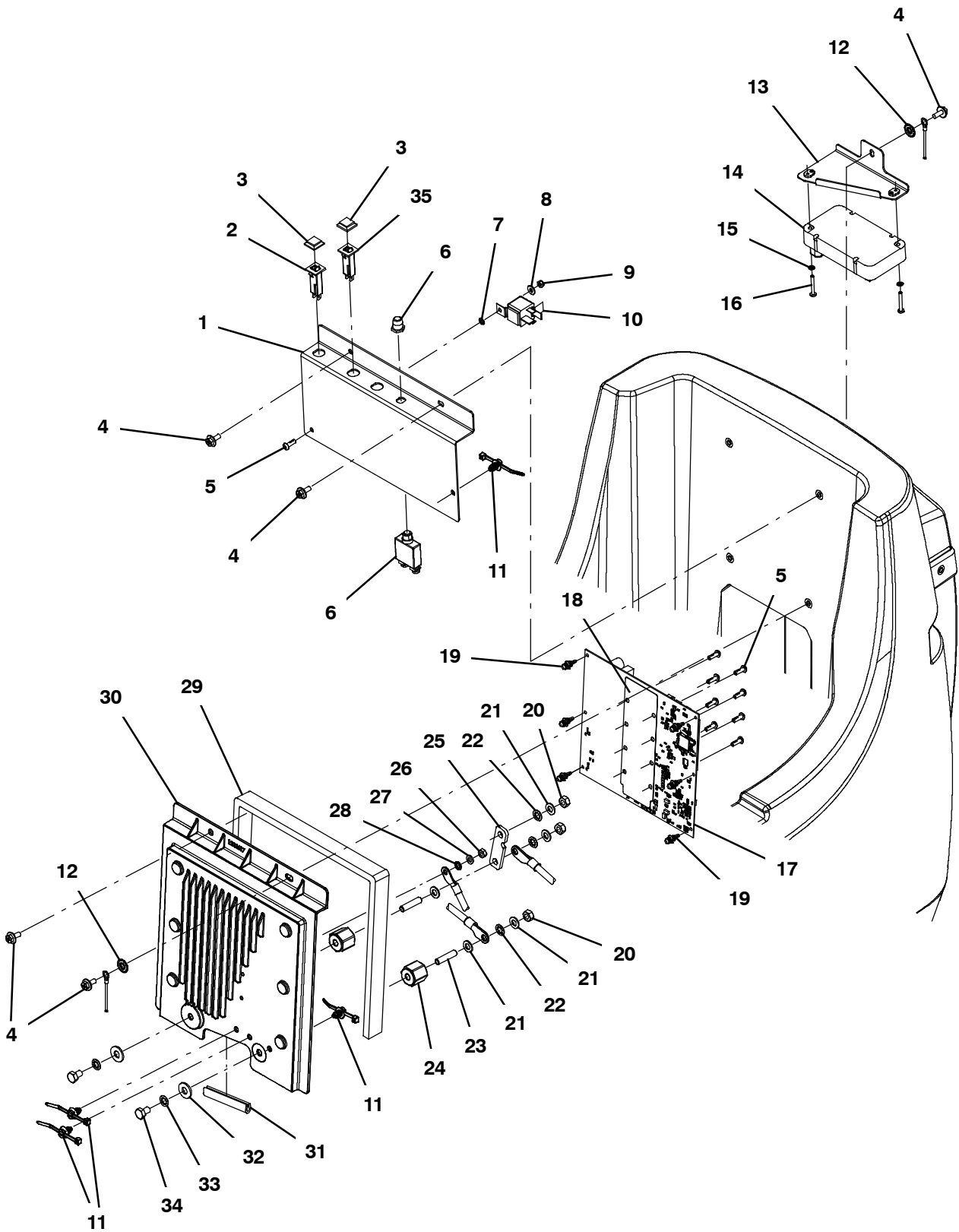


SOLUTION TANK GROUP

Ref.	Part No.	Serial Number	Description	Qty.
1	1217505	(00001-) Tank, Soltn, Rm- TI Trmmd [Rhine]	1
2	1218444	(00001-) Tray, Accssry, Rh, [Rhine]	1
3	1034731	(00001-) Screw, Hex, M6 X 1.00 X 16, Sems, Ss	16
4	1018155	(00001-) Screw, Pan, Phl, M5 X 0.80 X 16, Tcut,Ss	1
5	1012965	(00001-) Cap, Port, Soltn Fill	1
6	1225412	(00001-) Cover, Standard- Fill	1
7	1220263	(00001-) Seal, Bulk Head, Water	1
8	9015728	(00001-) Hose Kit, Drain, Soln, Ci [T500/T500e]	1
9	1218443	(00001-) Tray, Accssry, Lh, [Rhine]	1
10	11399	(00001-) Clamp, Hose, Wormdrive, 0.81- 1.50d, .50w	1
11	1210807	(00001-) Wire, Tie [W/.25" Fir Tree Clip]	4
12	140300	(00001-) Clamp, Cable, Stl, 0.50d [Insulated]	1
13	9015758	(00001-) Seal, Tank, Soltn, Ci [T500/T500e]	1
14	1221012	(00001-) Bracket Wldt, Actuator	1
15	140154	(00001-) Sleeve, P/M, 0.25b 0.38d 0.3l, PI	1
16	01684	(00001-) Washer, Flat, 0.27b 0.69d .05, Ss	1
17	11329	(00001-) Screw, Hex, M6 X 1.00 X 16, NI, Ss	1
18	1221803	(00001-) Cable, Glv .13d 10.5l .38eye /.38eye	1
19	1018155	(00001-) Screw, Pan, Phl, M5 X 0.80 X 16, Tcut,Ss	3
20	07514	(00001-) Washer, Lock, Int, 10, Ss	3
21	621443	(00001-) Chain, Ball, 10, 0157mml, Ss	1
22	1219917	(00001-) Screen, Fltr, 2.0 X 8.7	1
23	9015758	(00001-) Seal, Tank, Soltn, Ci [T500/T500e]	1
24	9015788	(00001-) Kit, Cover, Fill [T500/T500e Ce]	1
24	9015789	(00001-) Kit, Cover, Fill [T500/T500e Ce][Ech2o]	1
25	1020341	(00001-) Screw, Hex, M8 X 1.25 X 20, Ss, Sems	2
26	1229734	(00001-) Seal, Neo, 0.88, 1.00w 3.6l Adh	1

STANDARD ELECTRICAL GROUP

355442



STANDARD ELECTRICAL GROUP

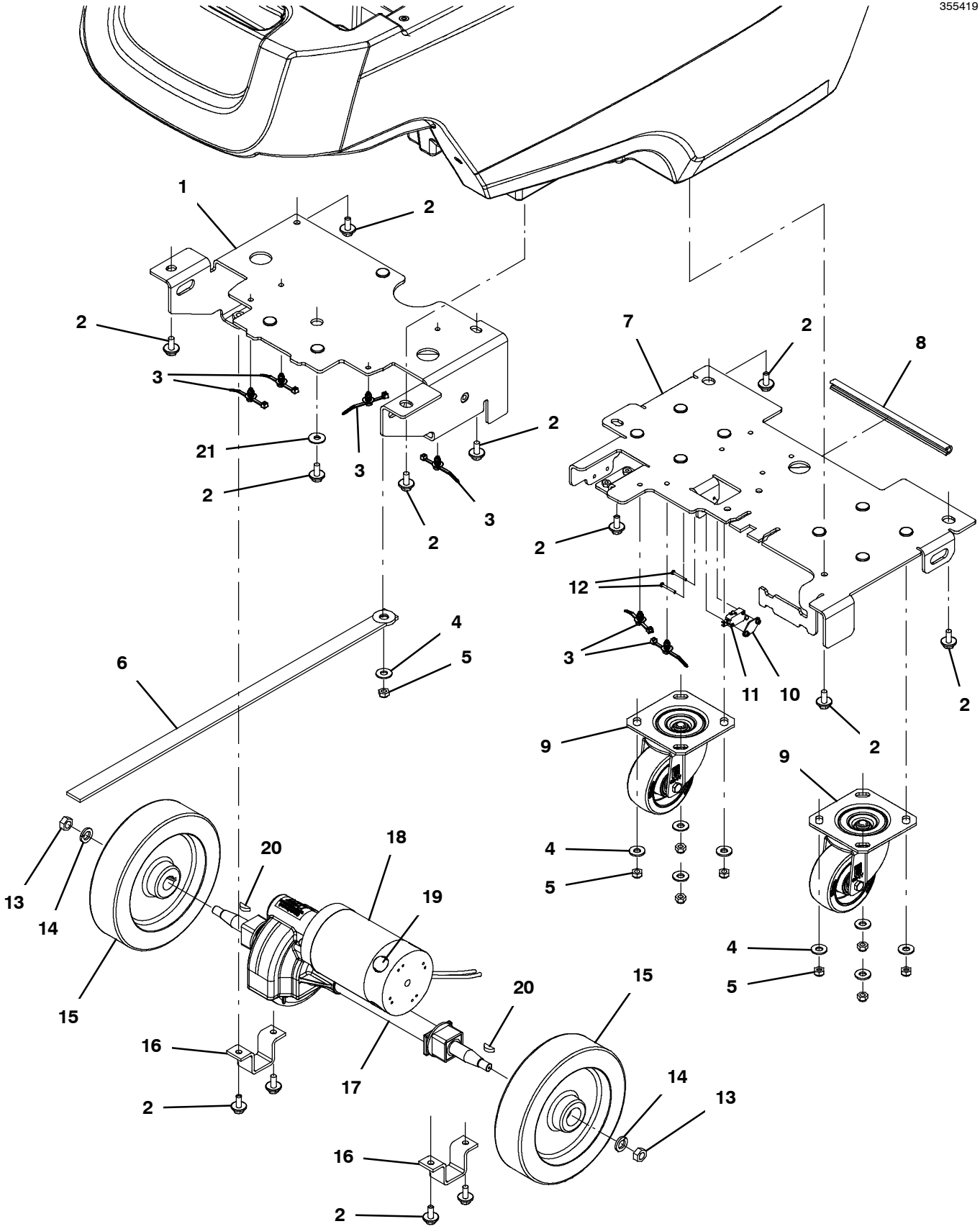
Ref.	Part No.	Serial Number	Description	Qty.	
1	1218761	(00001-) Bracket, Mtg [Circuitbreakers- T500]	1	
2	1208816	(00001-) Circuitbreaker, 04.0a, Resetable	1	
3	1064191	(00001-) Boot, Circuitbreaker	2	
4	1034731	(00001-) Screw, Hex, M6 X 1.00 X 16, Sems, Ss	5	
5	1205799	(00001-) Screw, Btn, M5 X 0.8 X 16, 8.8, NI, Torx	9	
6	383729	(00001-) Circuitbreaker, 60.0a	1	
7	07514	(00001-) Washer, Lock, Int, 10, Ss	1	
8	01683	(00001-) Washer, Flat, 10, Ss	1	
9	09739	(00001-) Nut, Hex, Lock, M5 X 0.80, NI, Ss	1	
10	1228510	(00001-) Relay, 24vdc, 80a, Spst No, Plug- In	1	
11	1210807	(00001-) Wire, Tie [W/.25" Fir Tree Clip]	4	
12	41140	(00001-) Washer, Lock, Int- Ext, 0.25	2	
13	1223824	(00001-) Bracket Wldt, Mtg, Cntrl, [T300/T300e]	1	
14	9015776	(00001-) Drive Module Kit, Ci	1	
15	02938	(00001-) Washer, Lock, Int, 08, Ss	2	
16	33931	(00001-) Screw, Pan, Phl, M4 X 0.70 X 30, Ss	2	
▽	17	9015784	(00001-) Kit, Control Board, Ci [T500]	1
▲		27964	(00001-) Strap, Ground, Static, Disposable	1
▲		1071235	(00001-) Cable [Usb, 2m, A- Male To Mini- B- Male]	1
18	1220930	(00001-) Circuitboard, Silpad [T500, Main Scrub]	1	
19	1209448	(00001-) Standoff, Circuitboard, .25	1	
20	41361	(00001-) Nut, Hex, Std, M8 X 1.25, Brs	6	
21	1209373	(00001-) Washer, Flat, M8.4b X 16d X 1.6, Brs	3	
22	43952	(00001-) Washer, Lock, Int, 0.31, Ss	5	
23	607461	(00001-) Screw, Set, M8 X 1.25 X 35, NI	3	
24	1205345	(00001-) Stand- Off, Wir, M8, Insulator, Panel	2	
25	1212780	(00001-) Busbar, 125a 0.188 0.750w 2.638l	2	
26	1061910	(00001-) Nut, Hex, Std, M6 X 1.00, Brs	1	
27	1061918	(00001-) Washer, Flat, 0.25b 0.47d .06, Brs	1	
28	07515	(00001-) Washer, Lock, Int, 0.25, Ss	1	
29	1219045	(00001-) Gasket, Cover, Circuitboard	1	
30	1222617	(00001-) Heatsink, Mtg, Circuitboard, Machined	1	
31	1020174	(00001-) Molding, Afrmkt, Trim, Pvc, .08 .11, 03ft	1	
32	01685	(00001-) Washer, Flat, 0.38b 0.88d .08, Ss	2	
33	32984	(00001-) Washer, Lock, Int, 0.31	2	
34	386868	(00001-) Screw, Hex, M8 X 1.25 X 12, Ss	2	
35	1064187	(00001-) Circuitbreaker, 10.0a, Resetable	1	

▽ ASSEMBLY

▲ INCLUDED IN ASSEMBLY

FRAME AND DRIVE GROUP, DISK AND CYLINDRICAL

355419



FRAME AND DRIVE GROUP, DISK AND CYLINDRICAL

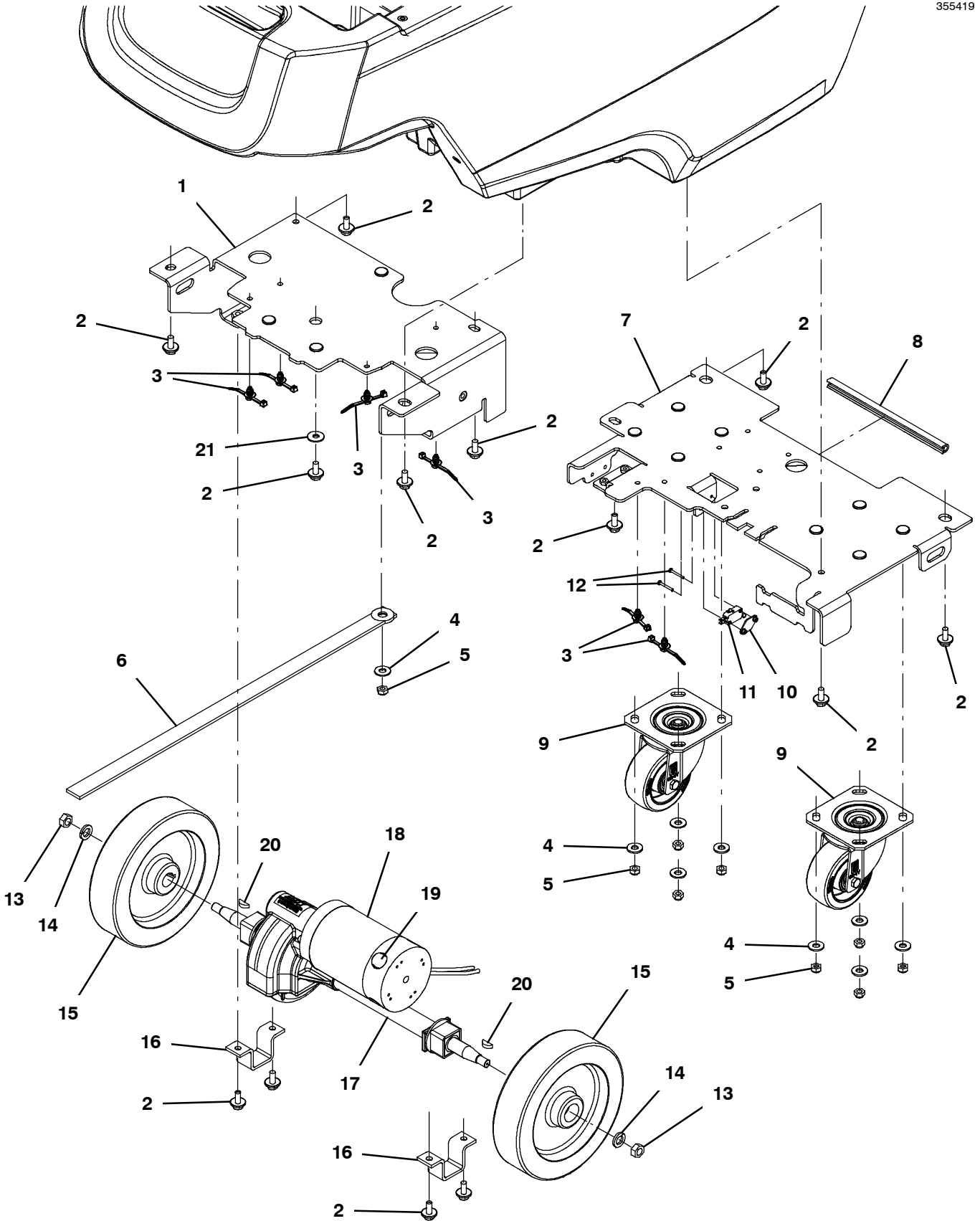
Ref.	Part No.	Serial Number	Description	Qty.	
1	1219118	(00001-) Frame Wldt, Front [T500]	1	
2	1020341	(00001-) Screw, Hex, M8 X 1.25 X 20, Ss, Sems	13	
3	1210807	(00001-) Wire, Tie [W/.25" Fir Tree Clip]	6	
4	01685	(00001-) Washer, Flat, 0.38b 0.88d .08, Ss	9	
5	08713	(00001-) Nut, Hex, Lock, M8 X 1.25, NI, Ss	9	
6	71579	(00001-) Strap, Static, W/Grommet, .19 1.1w 25.0l	1	
7	1219137	(00001-) Frame Wldt, Rear [T500]	1	
8	1020168	(00001-) Molding, Afrmkt, Trim, Pvc, .08 .11, 01ft	1	
9	1212422	(00001-) Caster, Swivel [Wicke 224051]	2	
10	995585	(00001-) Plate, Thread, Switch	1	
11	1215716	(00001-) Switch, 0.1a, Spdt[Micro, Gold Contacts]	1	
12	33933	(00001-) Screw, Pan, Phl, M3 X 0.50 X 25, Ss	2	
13	07788	(00001-) Nut, Hex, Std, M12 X 1.75, Ss	2	
14	140027	(00001-) Washer, Flat, 0.35b 0.75d .04, Ss	2	
15	1223583	(00001-) Wheel, Scrbr, 213mm, W/ Taper	2	
16	606001	(00001-) Bracket, Mtg, Transaxle, Pl [1510, T5]	2	
▽	17	1228691	(00001-) Transaxle, Ele, 24vdc, 138 Rpm [Asi, 4]	1
▲		612874	(00001-) Coupling, Transaxle, Replmt	1
▲		612880	(00001-) Joint, Transaxle, Replmt	1
▲▽	18	1031723	(00001-) Motor, Transaxle, 24vdc, Afrmkt [T5]	1
▲▲	19	614166	(00001-) Brush Kit, Carbon, Transaxle, Replmt [4]	1
▲	20	1021167	(00001-) Key, Woodruff, 5mm	2
	21	39890	(00001-) Washer, Flat, M8, Fendr	1

▽ ASSEMBLY

▲ INCLUDED IN ASSEMBLY

FRAME AND DRIVE GROUP, ORBITAL

355419



FRAME AND DRIVE GROUP, ORBITAL

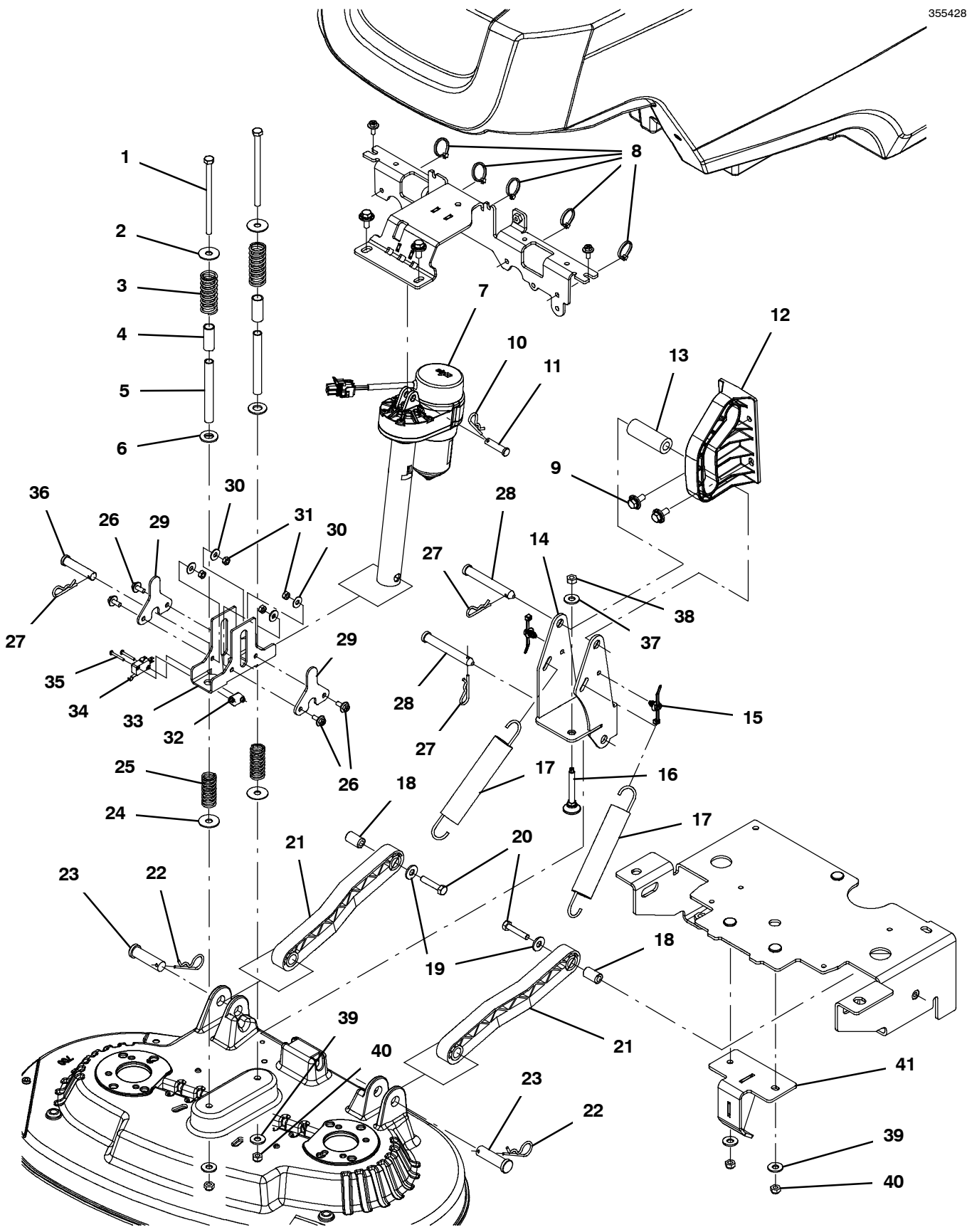
Ref.	Part No.	Serial Number	Description	Qty.	
1	1219118	(00001-) Frame Wldt, Front [T500]	1	
2	1020341	(00001-) Screw, Hex, M8 X 1.25 X 20, Ss, Sems	13	
3	1210807	(00001-) Wire, Tie [W/.25" Fir Tree Clip]	6	
4	01685	(00001-) Washer, Flat, 0.38b 0.88d .08, Ss	9	
5	08713	(00001-) Nut, Hex, Lock, M8 X 1.25, NI, Ss	9	
6	71579	(00001-) Strap, Static, W/Grommet, .19 1.1w 25.0l	1	
7	1219137	(00001-) Frame Wldt, Rear [T500]	1	
8	1020168	(00001-) Molding, Afrmkt, Trim, Pvc, .08 .11, 01ft	1	
9	1212422	(00001-) Caster, Swivel [Wicke 224051]	2	
10	995585	(00001-) Plate, Thread, Switch	1	
11	1215716	(00001-) Switch, 0.1a, Spdt[Micro, Gold Contacts]	1	
12	33933	(00001-) Screw, Pan, Phl, M3 X 0.50 X 25, Ss	2	
13	07788	(00001-) Nut, Hex, Std, M12 X 1.75, Ss	2	
14	140027	(00001-) Washer, Flat, 0.35b 0.75d .04, Ss	2	
15	1223583	(00001-) Wheel, Scrbr, 213mm, W/ Taper	2	
16	606001	(00001-) Bracket, Mtg, Transaxle, Pl [1510, T5]	2	
▽	17	1220970	(00001-) Transaxle, Ele, 24vdc, 107rpm [Asi, 4]	1
▲		612874	(00001-) Coupling, Transaxle, Replmt	1
▲		612880	(00001-) Joint, Transaxle, Replmt	1
▲▽	18	1031723	(00001-) Motor, Transaxle, 24vdc, Afrmkt [T5]	1
▲▲	19	614166	(00001-) Brush Kit, Carbon, Transaxle, Replmt [4]	1
▲	20	1021167	(00001-) Key, Woodruff, 5mm	2
	21	39890	(00001-) Washer, Flat, M8, Fendr	1

▽ ASSEMBLY

▲ INCLUDED IN ASSEMBLY

HEAD LIFT GROUP, DISK

355428

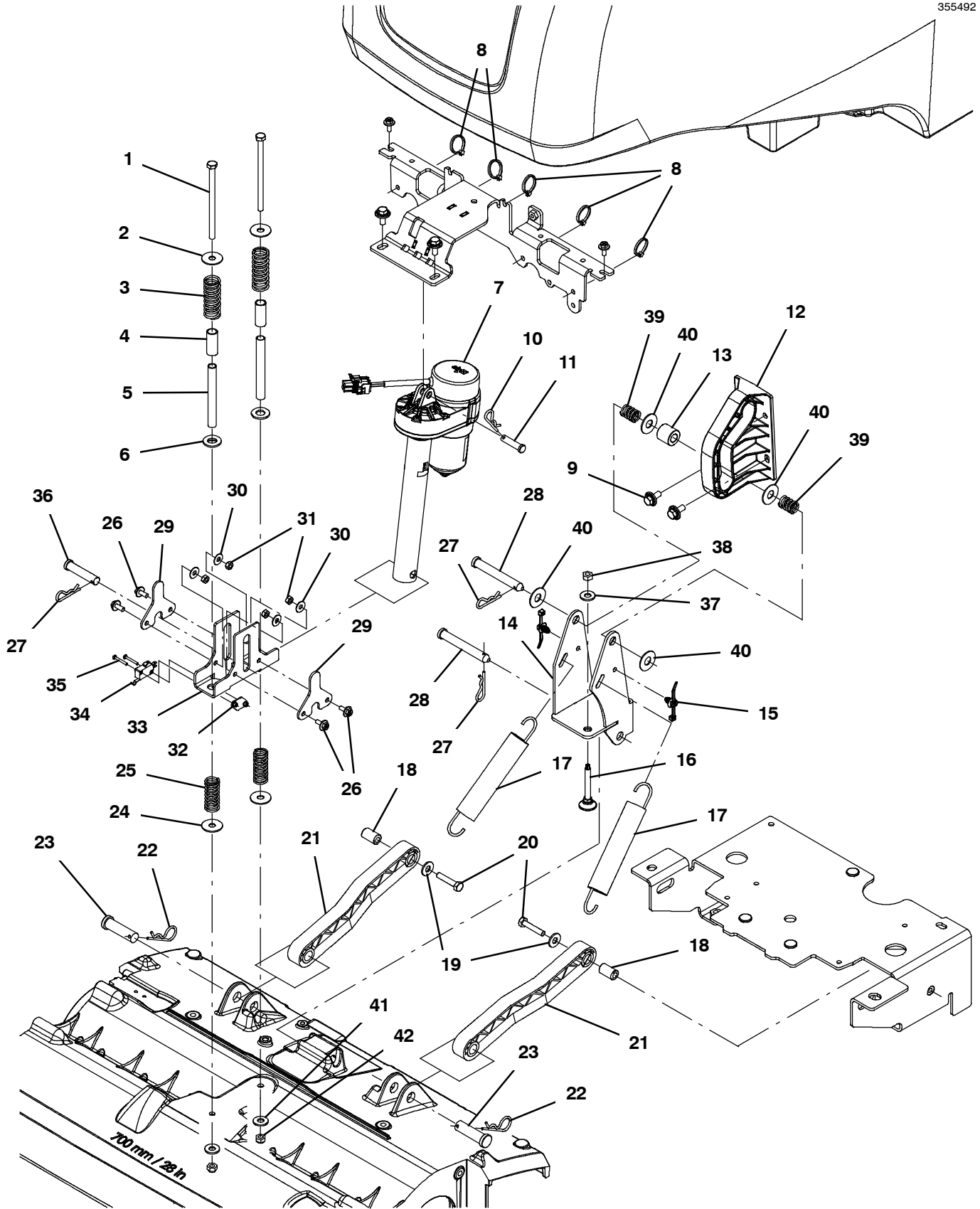


HEAD LIFT GROUP, DISK

Ref.	Part No.	Serial Number	Description	Qty.
1	387431	(00001-) Screw, Hex, M8 X 1.25 X 130, Ss	2
2	32662	(00001-) Washer, Flat, 0.38b 1.22d .06, Ss	2
3	45261	(00001-) Spring, Cmpr, 0.97od .11wir 02.5l	2
4	1224334	(00001-) Sleeve, P/M, 0.51b 0.63d 1.5l, Pl	2
5	1219491	(00001-) Sleeve, 0.40id .50d 4.25l, Ss	2
6	32486	(00001-) Washer, Flat, 0.53b 1.06d .10, Stl, Pl	2
7	1221206	(00001-) Actuator, 24vdc, 07.0strk, 0600lb	1
8	130041	(00001-) Tie, Cable, Nyl, 11.5l .19w	5
9	1020341	(00001-) Screw, Hex, M8 X 1.25 X 20, Ss, Sems	4
10	140626	(00001-) Pin, Cotter, Hair, 0.25d .125 Wir	1
11	29558	(00001-) Pin, Clevis, 0.37d X 1.50l	1
12	1219912	(00001-) Bracket, Guide, Head[T500]	1
13	1220305	(00001-) Tube, Plstc, 0.51id 0.98od 02.8l	1
14	1221507	(00001-) Pivot Wldt, Head, Scrub [T500]	1
15	1210807	(00001-) Wire, Tie [W/.25" Fir Tree Clip]	2
16	1227530	(00001-) Screw, Leveler, M8x75	1
17	222363	(00001-) Spring, Extn, 1.23od 0.15wir 06.5l	2
18	606056	(00001-) Tube, 0.32id 0.62od 01.0l, Stl, Pl	2
19	01685	(00001-) Washer, Flat, 0.38b 0.88d .08, Ss	2
20	74440	(00001-) Screw, Hex, M8 X 1.25 X 40, NI, Ss	2
21	222027	(00001-) Arm, Lift, Head	2
22	02942	(00001-) Pin, Hair, Cotter, 0.62d .120 Wir	2
23	222210	(00001-) Pin, Clevis, 0.62d X 2.12l	2
24	32662	(00001-) Washer, Flat, 0.38b 1.22d .06, Ss	2
25	63185	(00001-) Spring, Cmpr, 0.85od .09wir 02.0l	2
26	1034731	(00001-) Screw, Hex, M6 X 1.00 X 16, Sems, Ss	4
27	140626	(00001-) Pin, Cotter, Hair, 0.25d .125 Wir	3
28	374225	(00001-) Pin, Clevis, 0.50d X 3.75l	2
29	1225719	(00001-) Bracket, Pin Holder	2
30	01684	(00001-) Washer, Flat, 0.27b 0.69d .05, Ss	4
31	07785	(00001-) Nut, Hex, Std, M6 X 1.00, Ss	4
32	995585	(00001-) Plate, Thread, Switch	1
33	1224191	(00001-) Bracket, Spring, Suspension, Head	1
34	1215716	(00001-) Switch, 0.1a, Spdt[Micro, Gold Contacts]	1
35	33933	(00001-) Screw, Pan, Phl, M3 X 0.50 X 25, Ss	2
36	11211	(00001-) Pin, Clevis, 0.50d X 2.25l	1
37	01685	(00001-) Washer, Flat, 0.38b 0.88d .08, Ss	1
38	07786	(00001-) Nut, Hex, Std, M8 X 1.25, Ss	1
39	01685	(00001-) Washer, Flat, 0.38b 0.88d .08, Ss	4
40	08713	(00001-) Nut, Hex, Lock, M8 X 1.25, NI, Ss	4
41	1222374	(00001-) Frame Wldt, Hardstop [T500]	1

HEAD LIFT GROUP, CYLINDRICAL

355492

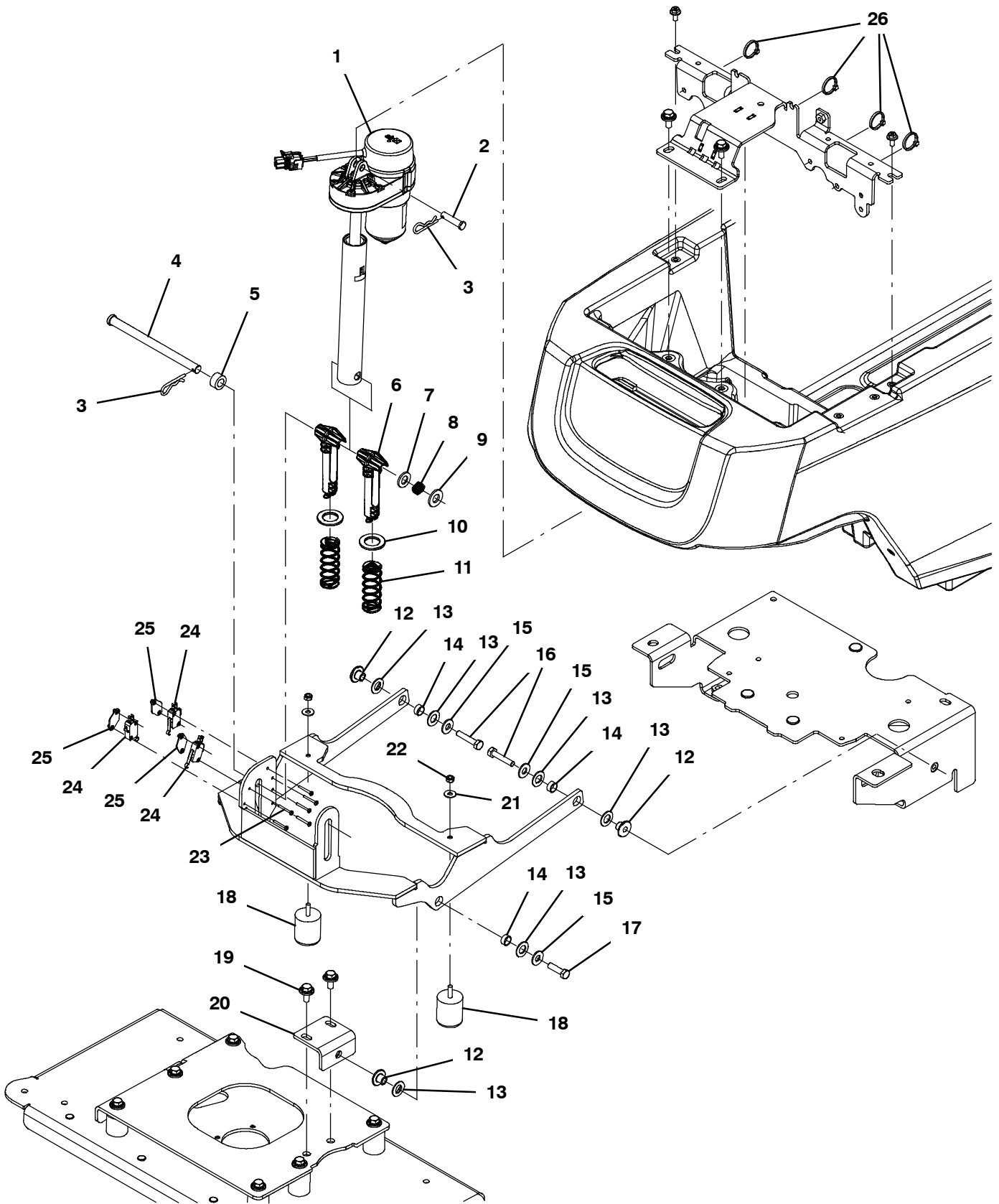


HEAD LIFT GROUP, CYLINDRICAL

Ref.	Part No.	Serial Number	Description	Qty.
1	387431	(00001-) Screw, Hex, M8 X 1.25 X 130, Ss	2
2	32662	(00001-) Washer, Flat, 0.38b 1.22d .06, Ss	2
3	45261	(00001-) Spring, Cmpr, 0.97od .11wir 02.5l	2
4	1224334	(00001-) Sleeve, P/M, 0.51b 0.63d 1.5l, Pl	2
5	1219491	(00001-) Sleeve, 0.40id .50d 4.25l, Ss	2
6	32486	(00001-) Washer, Flat, 0.53b 1.06d .10, Stl, Pl	2
7	1221206	(00001-) Actuator, 24vdc, 07.0strk, 0600lb	1
8	130041	(00001-) Tie, Cable, Nyl, 11.5l .19w	5
9	1020341	(00001-) Screw, Hex, M8 X 1.25 X 20, Ss, Sems	4
10	140626	(00001-) Pin, Cotter, Hair, 0.25d .125 Wir	1
11	29558	(00001-) Pin, Clevis, 0.37d X 1.50l	1
12	1219912	(00001-) Bracket, Guide, Head[T500]	1
13	1014020	(00001-) Roller, 0.99d 0.50b 0.95l, Acetal	1
14	1221507	(00001-) Pivot Wldt, Head, Scrub [T500]	1
15	1210807	(00001-) Wire, Tie [W/.25" Fir Tree Clip]	2
16	1227530	(00001-) Screw, Leveler, M8x75	1
17	222363	(00001-) Spring, Extn, 1.23od 0.15wir 06.5l	2
18	606056	(00001-) Tube, 0.32id 0.62od 01.0l, Stl, Pl	2
19	01685	(00001-) Washer, Flat, 0.38b 0.88d .08, Ss	2
20	74440	(00001-) Screw, Hex, M8 X 1.25 X 40, NI, Ss	2
21	222027	(00001-) Arm, Lift, Head	2
22	02942	(00001-) Pin, Hair, Cotter, 0.62d .120 Wir	2
23	222210	(00001-) Pin, Clevis, 0.62d X 2.12l	2
24	32662	(00001-) Washer, Flat, 0.38b 1.22d .06, Ss	2
25	63185	(00001-) Spring, Cmpr, 0.85od .09wir 02.0l	2
26	1034731	(00001-) Screw, Hex, M6 X 1.00 X 16, Sems, Ss	4
27	140626	(00001-) Pin, Cotter, Hair, 0.25d .125 Wir	3
28	374225	(00001-) Pin, Clevis, 0.50d X 3.75l	2
29	1225719	(00001-) Bracket, Pin Holder	2
30	01684	(00001-) Washer, Flat, 0.27b 0.69d .05, Ss	4
31	07785	(00001-) Nut, Hex, Std, M6 X 1.00, Ss	4
32	995585	(00001-) Plate, Thread, Switch	1
33	1224191	(00001-) Bracket, Spring, Suspension, Head	1
34	1215716	(00001-) Switch, 0.1a, Spdt[Micro, Gold Contacts]	1
35	33933	(00001-) Screw, Pan, Phl, M3 X 0.50 X 25, Ss	2
36	11211	(00001-) Pin, Clevis, 0.50d X 2.25l	1
37	01685	(00001-) Washer, Flat, 0.38b 0.88d .08, Ss	1
38	07786	(00001-) Nut, Hex, Std, M8 X 1.25, Ss	1
39	607920	(00001-) Spring, Cmpr, 0.70od .10wir 01.0l, Mw	2
40	140045	(00001-) Washer, Flat, 0.51b 1.25d .06, Ss	4
41	01685	(00001-) Washer, Flat, 0.38b 0.88d .08, Ss	2
42	08713	(00001-) Nut, Hex, Lock, M8 X 1.25, NI, Ss	2

HEAD LIFT GROUP, ORBITAL

355429

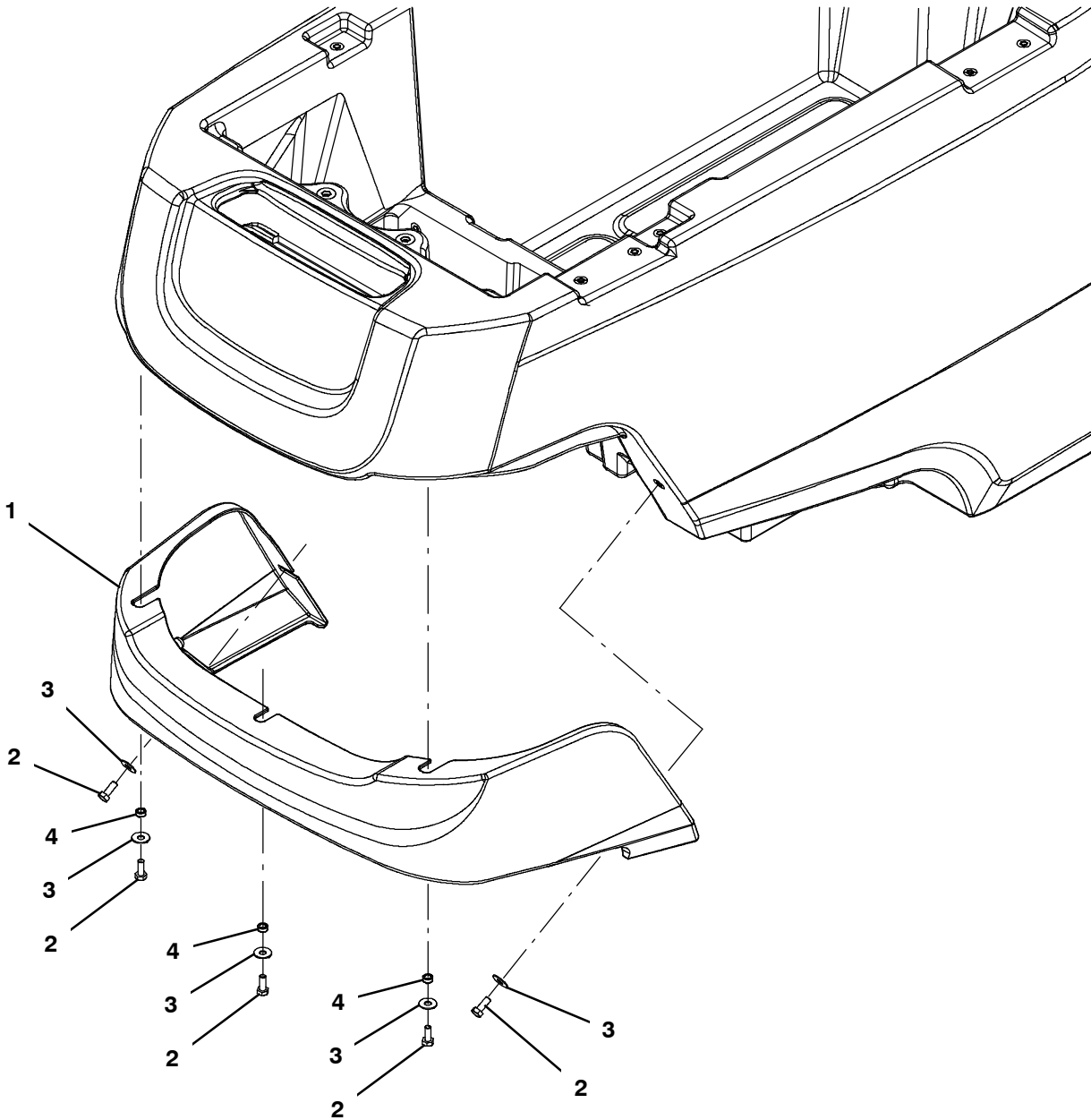


HEAD LIFT GROUP, ORBITAL

Ref.	Part No.	Serial Number	Description	Qty.
1	1221206	(00001-) Actuator, 24vdc, 07.0strk, 0600lb	1
2	29558	(00001-) Pin, Clevis, 0.37d X 1.50l	1
3	140626	(00001-) Pin, Cotter, Hair, 0.25d .125 Wir	1
4	1226754	(00001-) Pin, Clevis, .50d X 7.00l	1
5	1226759	(00001-) Spacer, .500 Id X .875 Od	1
6	1224233	(00001-) Pin, Guide, Spring, Head	2
7	1013936	(00001-) Washer, Flat, 0.51b 0.94d .10, Nyl	1
8	1226640	(00001-) Spring, Wave, .512 Id X .709 Od X .375	1
9	32486	(00001-) Washer, Flat, 0.53b 1.06d .10, Stl, Pl	1
10	1225960	(00001-) Washer, Thrust, 0.89b 1.50d 0.13w, Bnz	2
11	1227036	(00001-) Spring, Cmpr, 1.10od .085wir 03.0l	2
12	1059990	(00001-) Sleeve, Flng, 0.32b 1.00/0.50d 0.6l, Ss	3
13	608562	(00001-) Washer, Flat, 0.51b 0.94d .06, Nyl	6
14	630188	(00001-) Bearing, Journal, .50id X .25l	3
15	01685	(00001-) Washer, Flat, 0.38b 0.88d .08, Ss	3
16	74440	(00001-) Screw, Hex, M8 X 1.25 X 40, NI, Ss	2
17	1016399	(00001-) Screw, Hex, M8 X 1.25 X 30, NI, Ss	1
18	1212543	(00001-) Isolator, Neoprene, 1.25" X 1.25", M8	2
19	1020341	(00001-) Screw, Hex, M8 X 1.25 X 20, Ss, Sems	2
20	1224295	(00001-) Brkt Wldt, Lift	1
21	01685	(00001-) Washer, Flat, 0.38b 0.88d .08, Ss	2
22	08713	(00001-) Nut, Hex, Lock, M8 X 1.25, NI, Ss	2
23	33933	(00001-) Screw, Pan, Phl, M3 X 0.50 X 25, Ss	6
24	1215716	(00001-) Switch, 0.1a, Spdt[Micro, Gold Contacts]	3
25	995585	(00001-) Plate, Thread, Switch	3
26	130041	(00001-) Tie, Cable, Nyl, 11.5l .19w	5

SHROUD GROUP, DISK AND ORBITAL

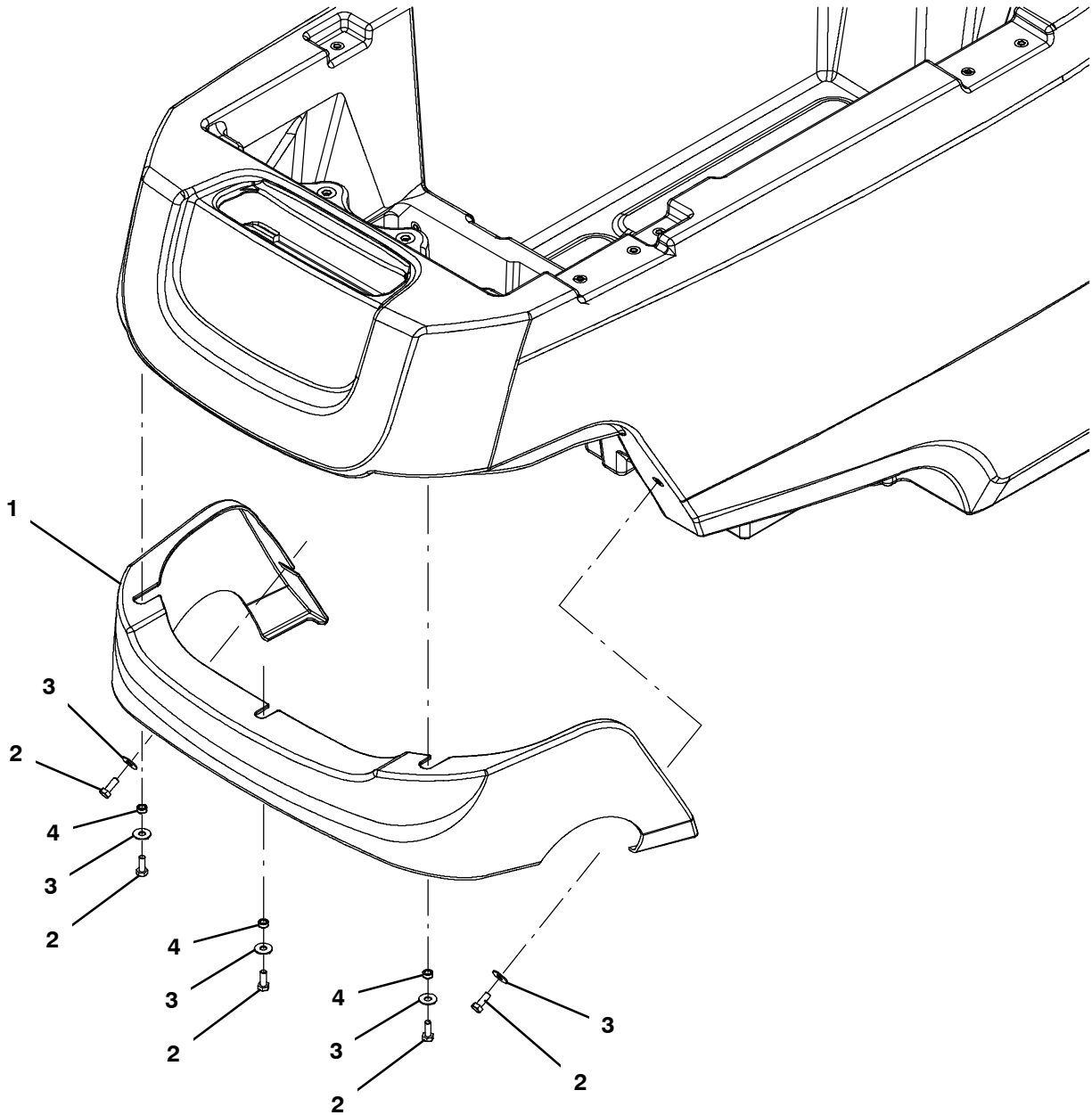
355417



Ref.	Part No.	Serial Number	Description	Qty.
1	1219723	(00001-) Cover, Head, Disc [T500]	1
2	11329	(00001-) Screw, Hex, M6 X 1.00 X 16, NI, Ss	5
3	01684	(00001-) Washer, Flat, 0.27b 0.69d .05, Ss	5
4	80491	(00001-) Sleeve, P/M, 0.25b 0.38d 0.2l [430ss]	3

SHROUD GROUP, CYLINDRICAL

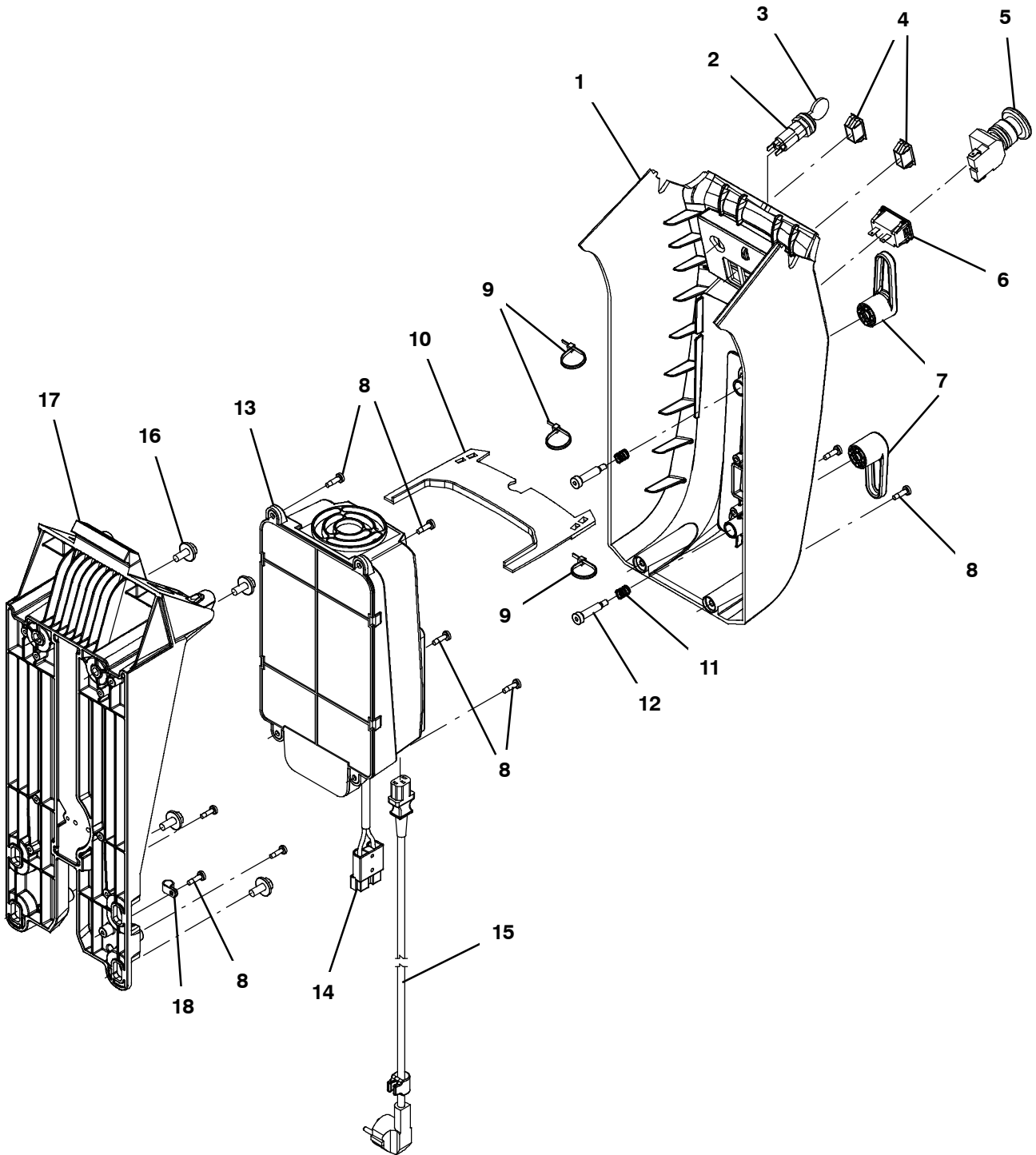
355418



Ref.	Part No.	Serial Number	Description	Qty.
1	1219724	(00001-) Cover, Head, CylrcI [T500]	1
2	11329	(00001-) Screw, Hex, M6 X 1.00 X 16, NI, Ss	5
3	01684	(00001-) Washer, Flat, 0.27b 0.69d .05, Ss	5
4	80491	(00001-) Sleeve, P/M, 0.25b 0.38d 0.2l [430ss]	3

LOWER CONSOLE GROUP, ON-BOARD CHARGER

355506



LOWER CONSOLE GROUP, ON-BOARD CHARGER

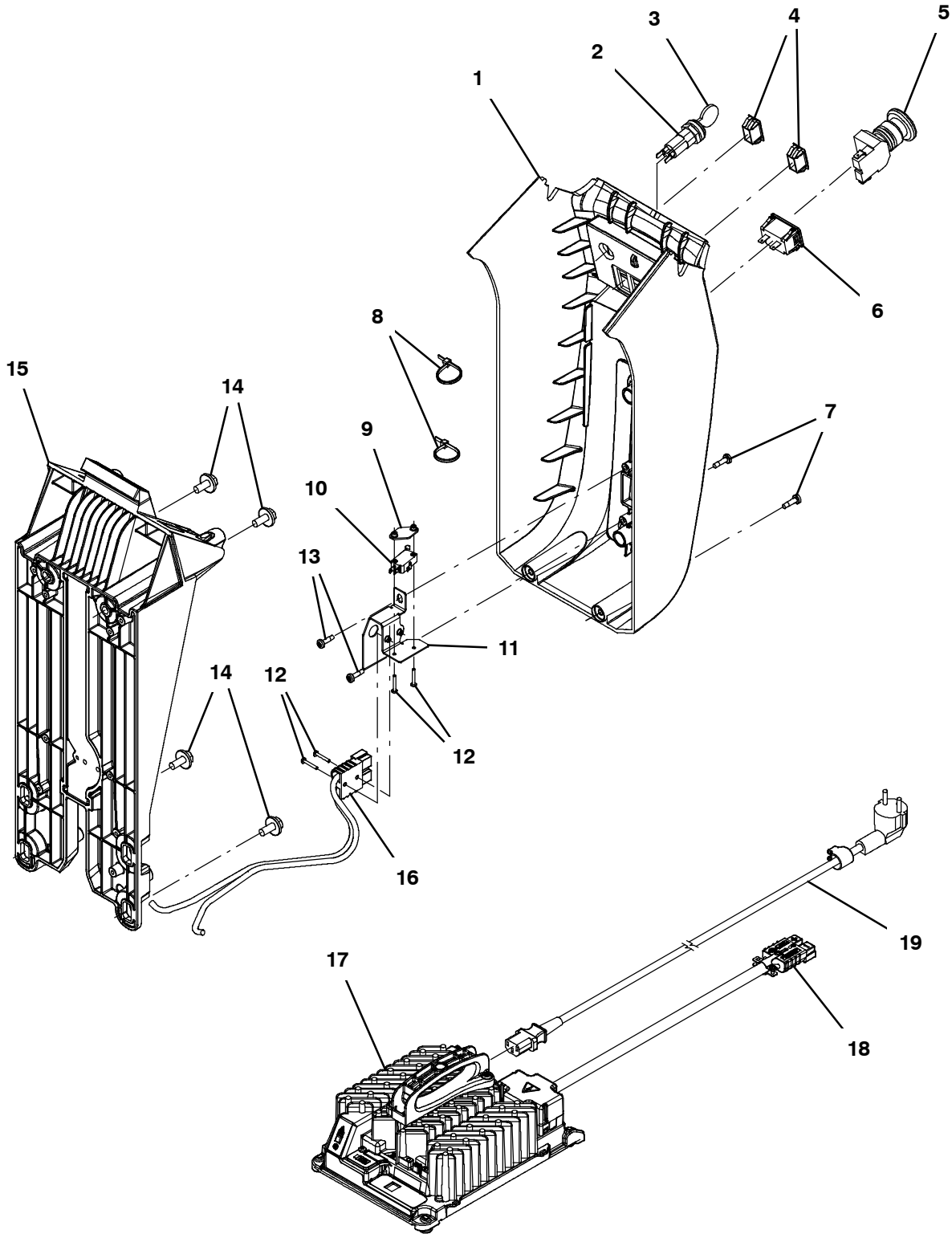
Ref.	Part No.	Serial Number	Description	Qty.
	1	1203802	(00001-) Cover, Column, Cntrl	1
▽	2	1011402	(00001-) Switch, Key	1
▲	3	1017696	(00001-) Key Set, Replmt [F/ Keyswitch 1011402]	1
	4	582150	(00001-) Plug, Hole, Rt, 1.23 X 1.12, Nyl	2
	5	1011735	(00001-) Switch, Safety, Shutoff	1
	6	1064038	(00001-) Gauge, Hourmeter, 05- 277 Volt, Ac / Dc	1
	7	1205496	(00001-) Hook, Cord	2
	8	1043573	(00001-) Screw, #10- 14 X 0.675, Spl[Shcs,Selftap]	9
	9	130773	(00001-) Tie, Cable, Nyl, 11.0l, .14w, 3.0 Max. D	3
	10	1207290	(00001-) Cover, Charger	1
	11	611311	(00001-) Spring, Cmpr, 0.40od .05wir 00.5l, Pl,Mw	2
	12	1024965	(00001-) Bolt, Shld, 08mmd X 030mm, M06 X 1.0	2
▽	13	1220856	(00001-) Charger, 24vdc 25a 115- 240vac [On- Board]	1
▲	14	605387	(00001-) Connector, Anderson, 050a, Red [W/O Con]	1
	15	1032849	(00001-) Cord, Power, Blk [4.5meter, Ce]	1
	15	1032820	(00001-) Cord, Power, Blk [4.5meter, Uk]	1
	16	1020341	(00001-) Screw, Hex, M8 X 1.25 X 20, Ss, Sems	4
	17	1211903	(00001-) Frame, Column, Cntrl [Im]	1
	18	378969	(00001-) Clamp, Cable, Stl, 0.56d X 0.38w, 1hole	1

▽ ASSEMBLY

▲ INCLUDED IN ASSEMBLY

LOWER CONSOLE GROUP, OFF- BOARD CHARGER

355507



LOWER CONSOLE GROUP, OFF- BOARD CHARGER

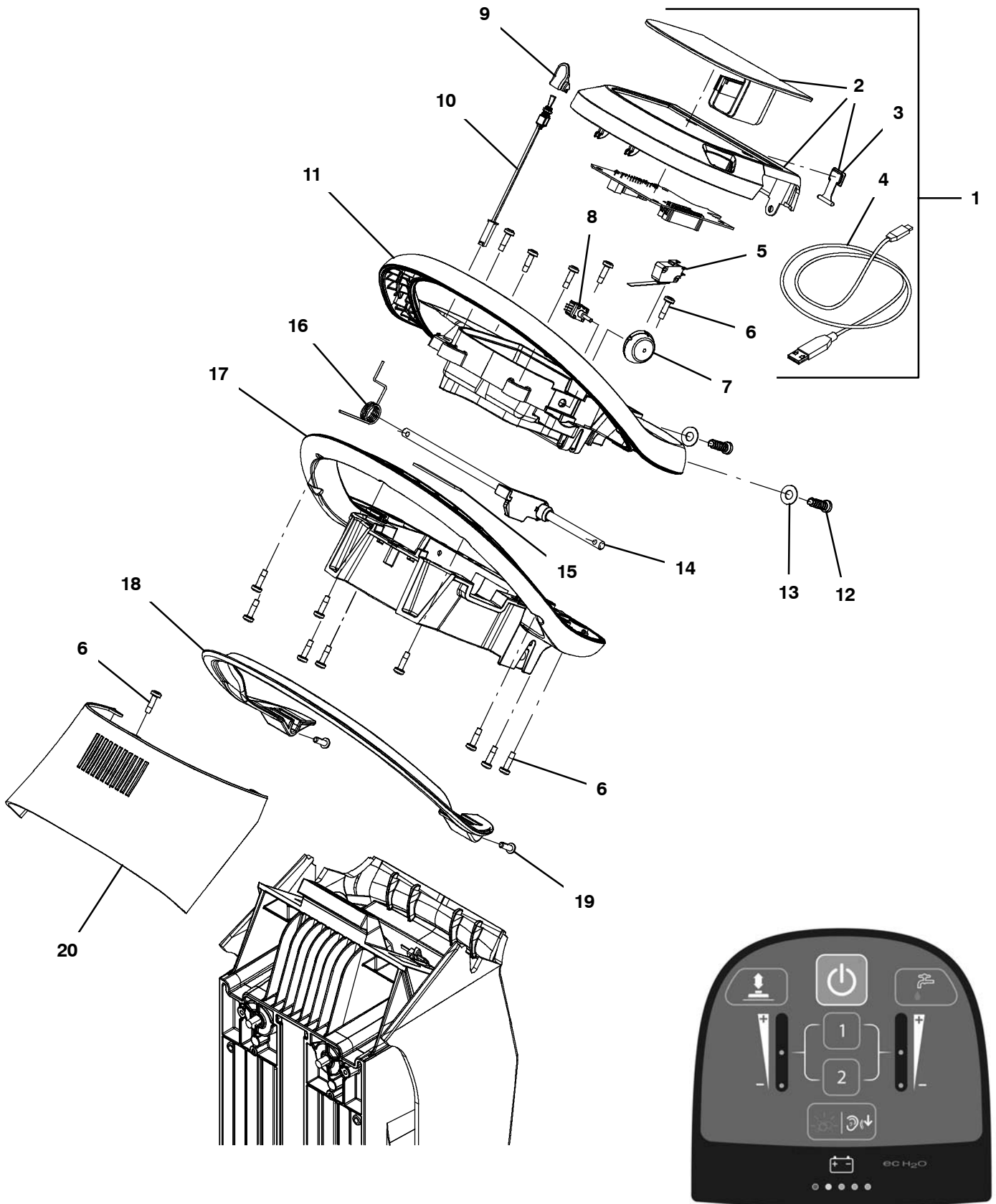
Ref.	Part No.	Serial Number	Description	Qty.
	1	1203802	(00001-) Cover, Column, Cntrl	1
▽	2	1011402	(00001-) Switch, Key	1
▲	3	1017696	(00001-) Key Set, Replmt [F/ Keyswitch 1011402]	1
	4	582150	(00001-) Plug, Hole, Rt, 1.23 X 1.12, Nyl	2
	5	1011735	(00001-) Switch, Safety, Shutoff	1
	6	1064038	(00001-) Gauge, Hourmeter, 05- 277 Volt, Ac / Dc	1
	7	1043573	(00001-) Screw, #10- 14 X 0.675, Spl[Shcs,Selftap]	2
	8	130773	(00001-) Tie, Cable, Nyl, 11.0l, .14w, 3.0 Max. D	2
	9	995585	(00001-) Plate, Thread, Switch	1
	10	1215716	(00001-) Switch, 0.1a, Spdt[Micro, Gold Contacts]	1
	11	1208599	(00001-) Bracket Assy, Plug, Charger	1
	12	06922	(00001-) Screw, Pan, Phl, M3 X 0.50 X 20, 4.8	4
	13	1043573	(00001-) Screw, #10- 14 X 0.675, Spl[Shcs,Selftap]	2
	14	1020341	(00001-) Screw, Hex, M8 X 1.25 X 20, Ss, Sems	4
	15	1211903	(00001-) Frame, Column, Cntrl [Im]	1
	16	605387	(00001-) Connector, Anderson, 050a, Red [W/O Con]	1
▽	17	1217495	(00001-) Charger, 24vdc, 650w,85- 265vac [Off Brd]	1
▲	18	605387	(00001-) Connector, Anderson, 050a, Red [W/O Con]	1
	19	1032849	(00001-) Cord, Power, Blk [4.5meter, Ce]	1
	19	1032820	(00001-) Cord, Power, Blk [4.5meter, Uk]	1

▽ ASSEMBLY

▲ INCLUDED IN ASSEMBLY

CONSOLE HANDLE, PRO-MEMBRANE PANEL

355446



CONSOLE HANDLE, PRO- MEMBRANE PANEL

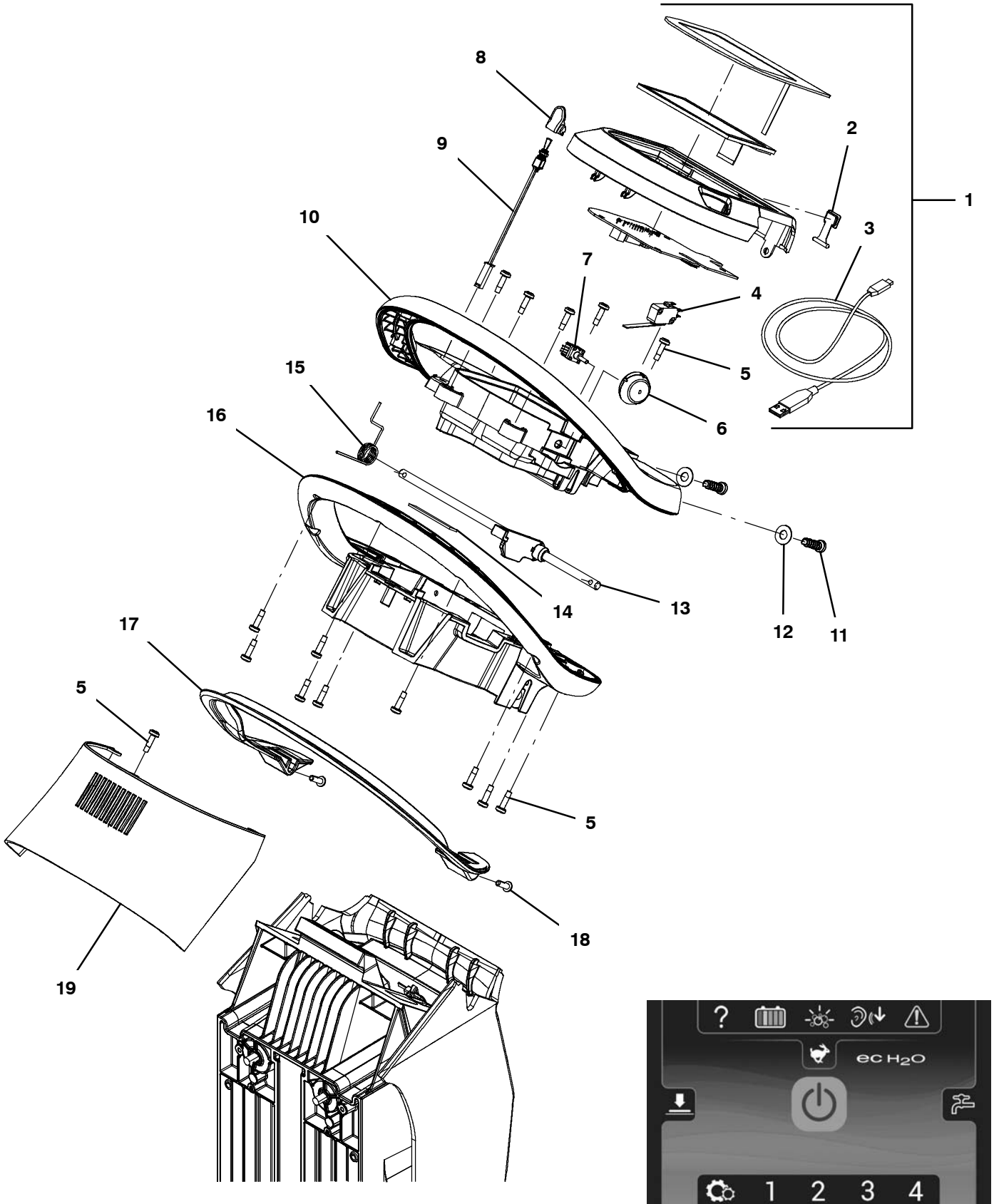
Ref.	Part No.	Serial Number	Description	Qty.
▽	1	9015778	(00001-) Bezel Kit, Membrane [T500]	1
▲▽	2	9015779	(00001-) Screen Kit [T500]	1
▲▲	3	1205618	(00001-) Cap, Usb	1
▲	4	1071235	(00001-) Cable [Usb, 2m, A- Male To Mini- B- Male]	1
	5	1205323	(00001-) Switch, 0.1a, Spdt [Micro, Straight]	1
	6	1043573	(00001-) Screw, #10- 14 X 0.675, Spl[Shcs,Selftap]	15
	7	1206586	(00001-) Dial, Range, Speed	1
	8	1204930	(00001-) Potentiometer [100k, 1 Turn, B5/B7]	1
	9	1209730	(00001-) Cap, Toggle, Direction	1
	10	1209673	(00001-) Switch Assy, Toggle, Direction	1
	11	1203787	(00001-) Housing, Handle, Cntrl, Top	2
	12	1215863	(00001-) Screw, Pan, Torx, M8 X 3.5 X 25[Remform]	2
	13	140027	(00001-) Washer, Flat, 0.35b 0.75d .04, Ss	2
	14	1205143	(00001-) Shaft Assy, Bail, Handle	1
	15	1020280	(00001-) Seal, Afrmkt, Rbr, Clsd, Adh, 01ft	1
	16	1205781	(00001-) Spring, Return, Bail	1
	17	1222608	(00001-) Housing, Handle, Cntrl, Bottom, Slotted	1
	18	1205778	(00001-) Handle, Bail [Machined]	1
	19	1205799	(00001-) Screw, Btn, M5 X 0.8 X 16, 8.8, NI, Torx	2
	20	9015305	(00001-) Cover Kit, Handle, Cntrl	1

▽ ASSEMBLY

▲ INCLUDED IN ASSEMBLY

CONSOLE HANDLE, PRO-PANEL LCD

355447



CONSOLE HANDLE, PRO- PANEL LCD

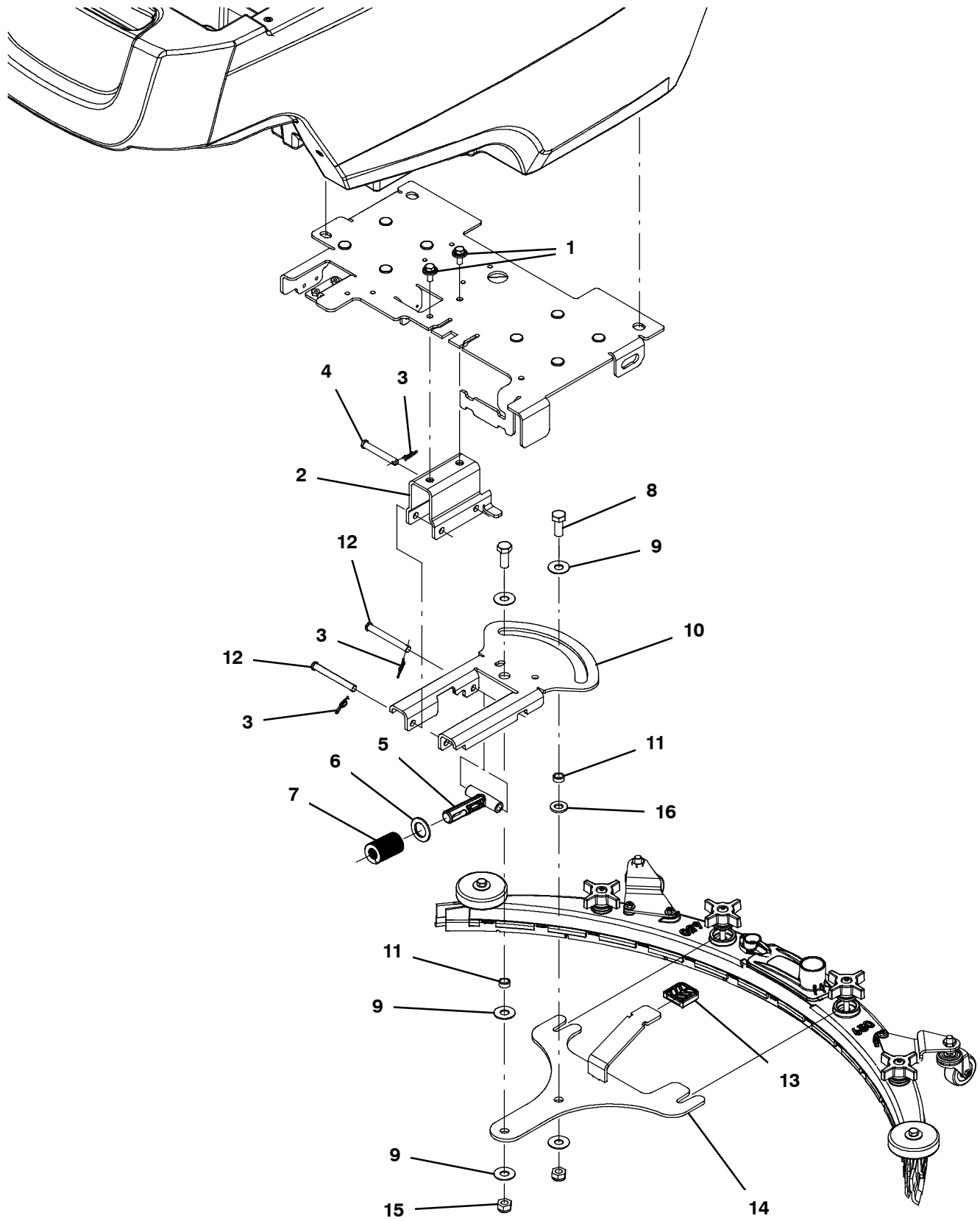
Ref.	Part No.	Serial Number	Description	Qty.
▽	1	9014135	(00001-) Bezel Kit, Propel, Lcd Pro- Panl,Ci[T300]	1
▲	2	1205618	(00001-) Cap, Usb	1
▲	3	1071235	(00001-) Cable [Usb, 2m, A- Male To Mini- B- Male]	1
	4	1205323	(00001-) Switch, 0.1a, Spdt [Micro, Straight]	1
	5	1043573	(00001-) Screw, #10- 14 X 0.675, Spl[Shcs,Selftap]	15
	6	1206586	(00001-) Dial, Range, Speed	1
	7	1204930	(00001-) Potentiometer [100k, 1 Turn, B5/B7]	1
	8	1209730	(00001-) Cap, Toggle, Direction	1
	9	1209673	(00001-) Switch Assy, Toggle, Direction	1
	10	1203787	(00001-) Housing, Handle, Cntrl, Top	2
	11	1215863	(00001-) Screw, Pan, Torx, M8 X 3.5 X 25[Remform]	2
	12	140027	(00001-) Washer, Flat, 0.35b 0.75d .04, Ss	2
	13	1205143	(00001-) Shaft Assy, Bail, Handle	1
	14	1020280	(00001-) Seal, Afrmkt, Rbr, Clsd, Adh, 01ft	1
	15	1205781	(00001-) Spring, Return, Bail	1
	16	1222608	(00001-) Housing, Handle, Cntrl, Bottom, Slotted	1
	17	1205778	(00001-) Handle, Bail [Machined]	1
	18	1205799	(00001-) Screw, Btn, M5 X 0.8 X 16, 8.8, NI, Torx	2
	19	9015305	(00001-) Cover Kit, Handle, Cntrl	1

▽ ASSEMBLY

▲ INCLUDED IN ASSEMBLY

SQUEEGEE LIFT GROUP

355441

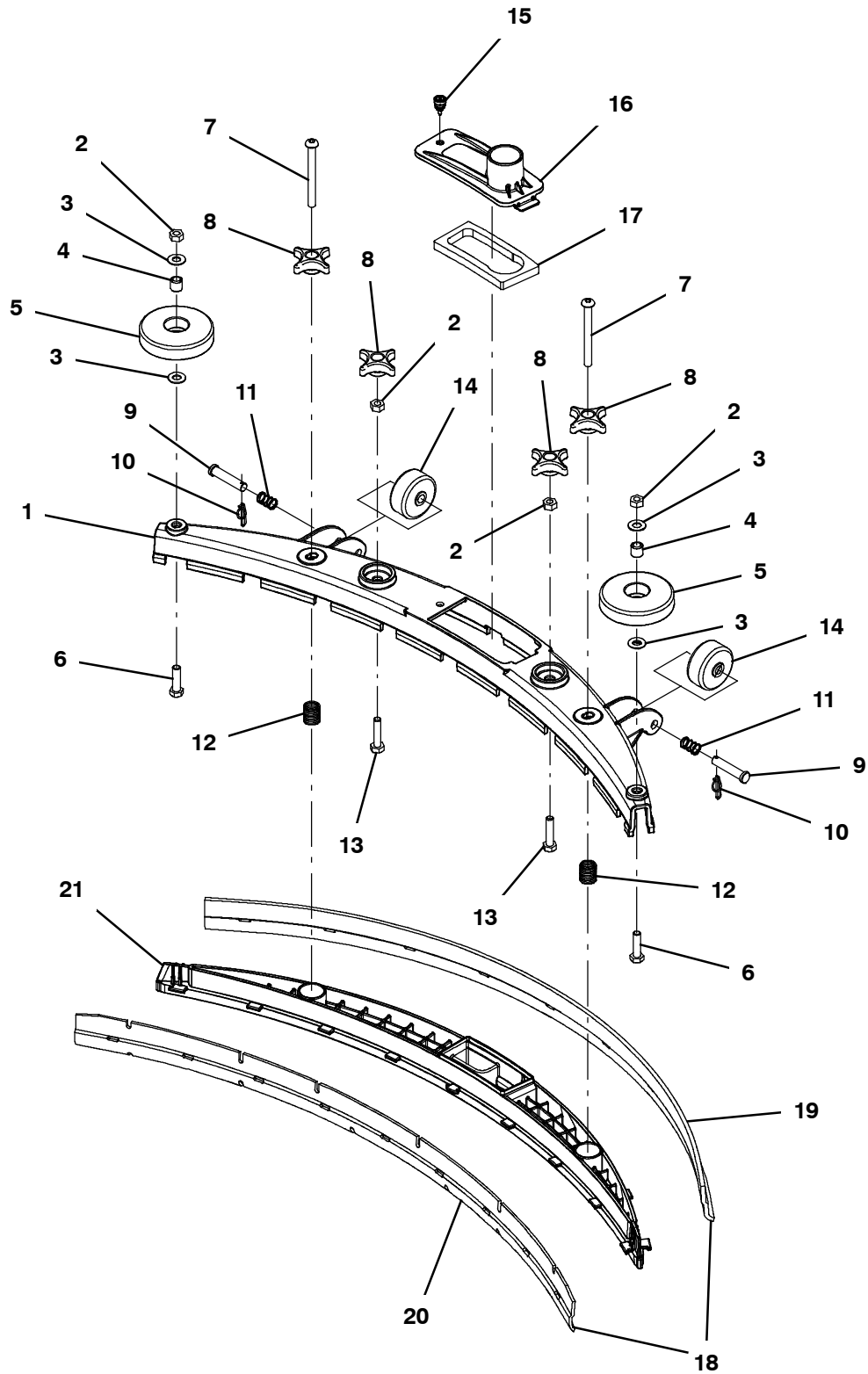


SQUEEGEE LIFT GROUP

Ref.	Part No.	Serial Number	Description	Qty.
1	1020341	(00001-) Screw, Hex, M8 X 1.25 X 20, Ss, Sems	2
2	1221959	(00001-) Bracket, Wldt, Lift, Sqge [T500]	1
3	1216647	(00001-) Pin, Cotter, Hair, 0.38d .054 Wir	3
4	391179	(00001-) Pin, Clevis, 0.37d X 2.62l	1
5	1230368	(00001-) Guide, Spring	1
6	1225960	(00001-) Washer, Thrust, 0.89b 1.50d 0.13w, Bnz	1
7	1228773	(00001-) Spring, Cmpr, 1.25od, .625id, 2.0l	1
8	12309	(00001-) Screw, Hex, M12 X 1.75 X 30, Ss	2
9	140045	(00001-) Washer, Flat, 0.51b 1.25d .06, Ss	5
10	1219466	(00001-) Bracket, Pivot, Sqge [T500]	1
11	1013662	(00001-) Bushing, Sleeve, 12mmb 16mmd 7mml,Pm Yel	2
12	57598	(00001-) Pin, Clevis, 0.37d X 3.25l	2
13	1212533	(00001-) Cover, Pedal, Lift	1
14	1220505	(00001-) Bracket Wldt, Mtg, Sqge [T500]	1
15	09741	(00001-) Nut, Hex, Lock, M12 X 1.75, NI, Ss	2
16	140127	(00001-) Washer, Thrust, 0.51b 1.00d 0.12w, Brz	1

SQUEEGEE ASSEMBLY, 500MM / 20IN

355437



SQUEEGEE ASSEMBLY, 500MM / 20IN

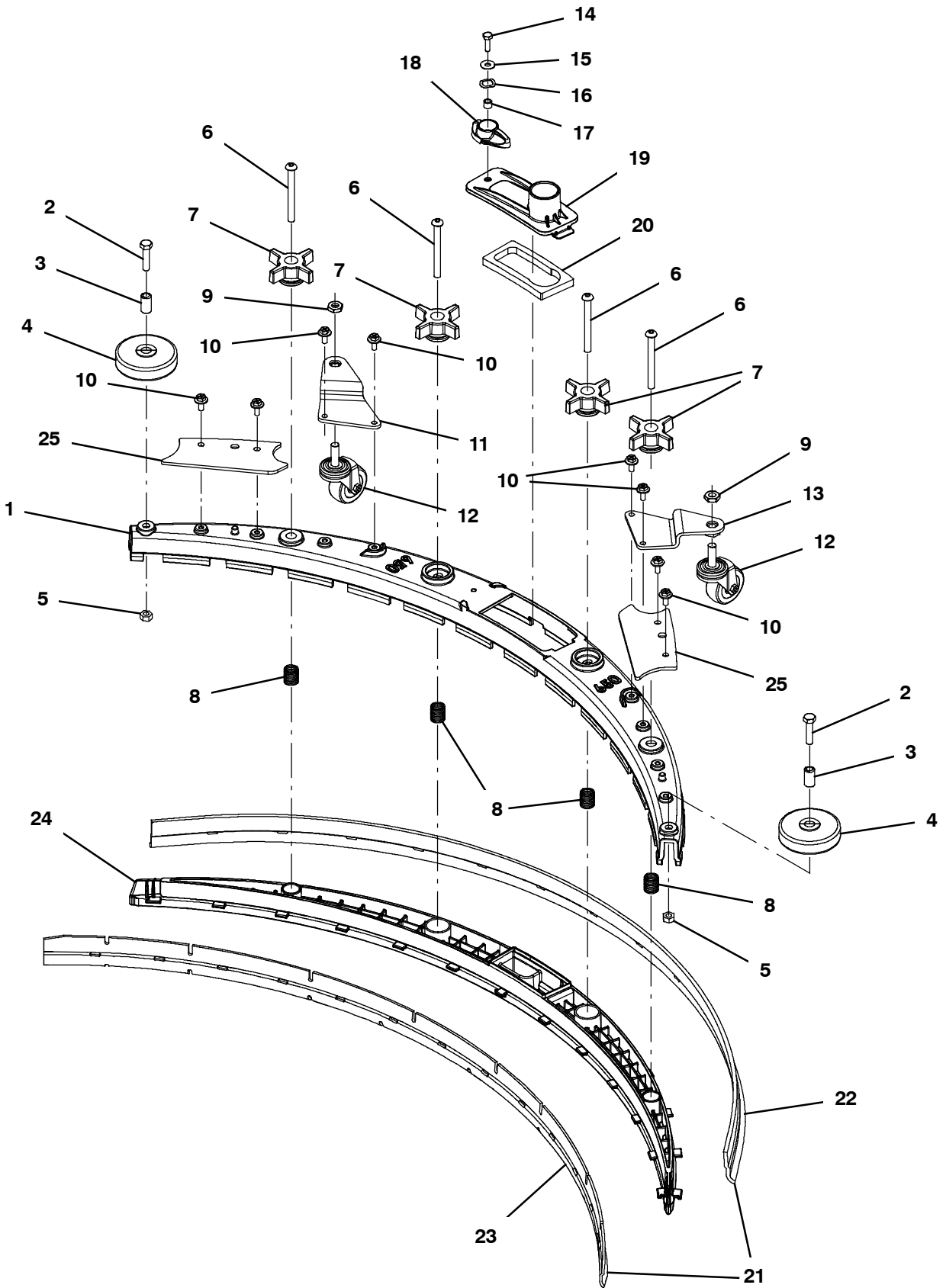
Ref.	Part No.	Serial Number	Description	Qty.
▽	9014172	(00001-) Squeegee Kit, Linatex, Ci [T300/E/Ss300]	1
▲	1 1215681	(00001-) Frame, Sqge, 50cm, Mach [T300]	1
▲	2 07786	(00001-) Nut, Hex, Std, M8 X 1.25, Ss	2
▲	3 140027	(00001-) Washer, Flat, 0.35b 0.75d .04, Ss	4
▲	4 222460	(00001-) Sleeve, P/M, 0.32b 0.50d 0.5l [430ss]	2
▲	5 1010560	(00001-) Wheel, Bmpr, 80d X 25w, Non- Marking	2
▲	6 1016399	(00001-) Screw, Hex, M8 X 1.25 X 30, NI, Ss	2
▲	7 1212755	(00001-) Screw, Btn, M8 X 1.25 X 80, Ss	2
▲	8 1213677	(00001-) Knob, Star, 2.00od 4ear M8x1.25 [Yel]	4
▲	9 17461	(00001-) Pin, Clevis, 0.37d X 1.75l	2
▲	10 1216647	(00001-) Pin, Cotter, Hair, 0.38d .054 Wir	2
▲	11 1017091	(00001-) Spring, Cmpr, 0.50od .04wir 00.8l	2
▲	12 22290	(00001-) Spring, Cmpr, 0.72od .06wir 02.3l	2
▲	13 09026	(00001-) Screw, Hex, M8 X 1.25 X 40, Ss	2
▲	14 630477	(00001-) Wheel, Pyu, 02.0d 0.38w, Gray	2
▲	15 1212683	(00001-) Screw, Captive, M5, Knurled [Snap In]	1
▲	16 1209631	(00001-) Cover, Trap, Water, Sqge	1
▲	17 1210756	(00001-) Gasket, Trap, Water, Sqge	1
▲▽	18 9015731	(00001-) Blade Kit, 500mm, Linatex (Standard)	1
▲▲	19 1203953	(00001-) Blade, Sqge, Rear, 836l, Linatex[500mm] (Standard)	1
▲▲	20 1203954	(00001-) Blade, Sqge, Front, 788l, Linatex[500mm] (Standard)	1
▲	21 1203638	(00001-) Retainer, Sqge [T300]	1
▽	18 9015732	(00001-) Blade Kit, 500mm, Urethane (Option)	1
▲	19 1215609	(00001-) Blade, Sqge, Rear, 836l, Urethane[500mm] (Option)	1
▲	20 1215611	(00001-) Blade, Sqge, Front, 788l, Urethane[500mm] (Option)	1
▽	18 9015730	(00001-) Blade Kit, 500mm, Gum (Option)	1
▲	19 1215610	(00001-) Blade, Sqge, Rear, 836l, Gum[500mm] (Option)	1
▲	20 1215612	(00001-) Blade, Sqge, Front, 788l, Gum[500mm] (Option)	1

▽ ASSEMBLY

▲ INCLUDED IN ASSEMBLY

SQUEEGEE ASSEMBLY, 650MM / 26IN

355438



SQUEEGEE ASSEMBLY, 650MM / 26IN

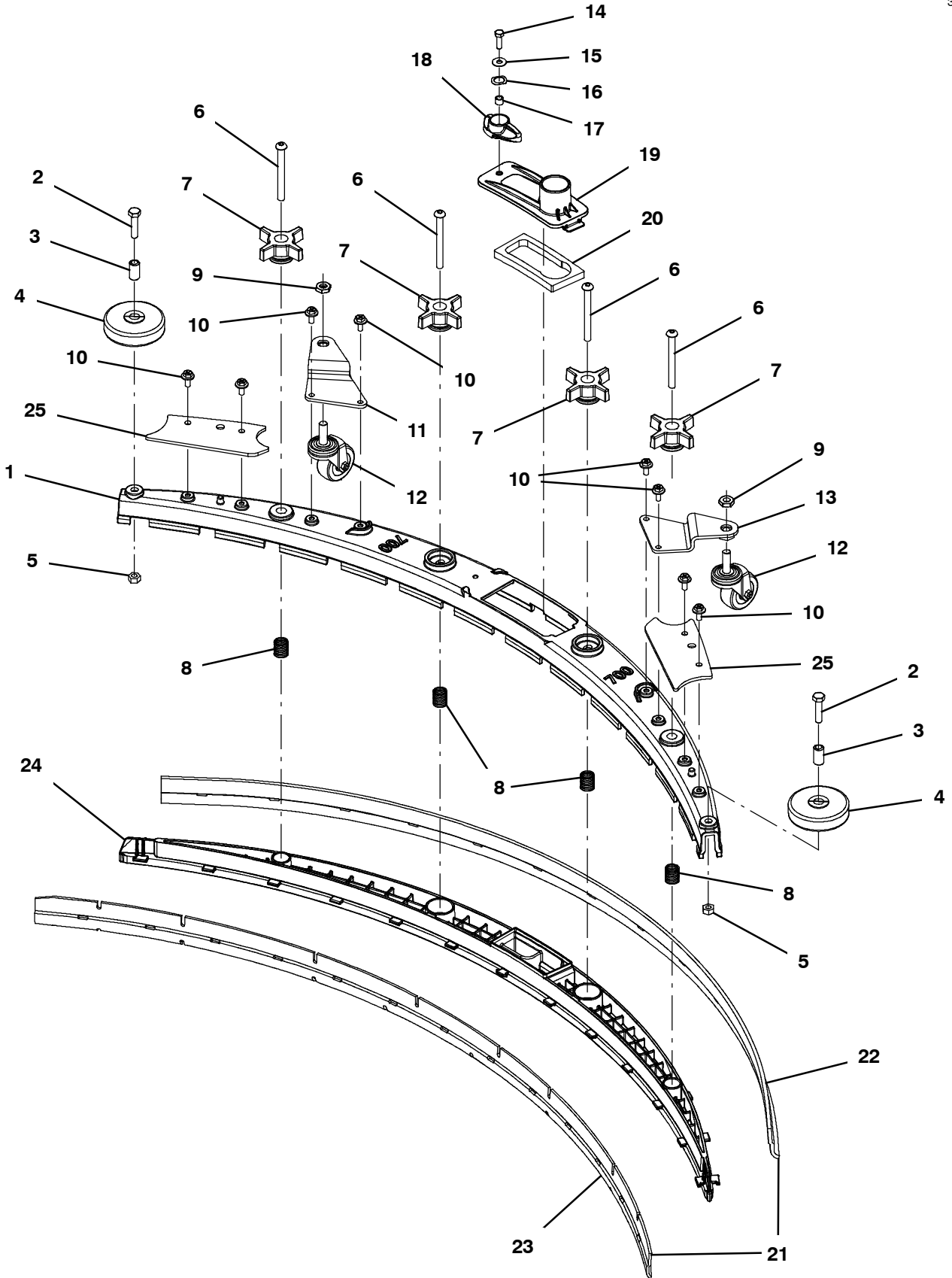
Ref.	Part No.	Serial Number	Description	Qty.
▽	9015301	(00001-) Squeegee Kit, 650mm, Ci	1
▲	1 1221259	(00001-) Frame, Sqge, 65cm, Mach [T500]	1
▲	2 59658	(00001-) Screw, Hex, M8 X 1.25 X 35, NI, Ss	2
▲	3 222496	(00001-) Sleeve, P/M, 0.32b 0.50d 0.9l [430ss]	2
▲	4 222066	(00001-) Wheel, 03.0d 0.88w 0.50b	2
▲	5 07786	(00001-) Nut, Hex, Std, M8 X 1.25, Ss	2
▲	6 1212755	(00001-) Screw, Btn, M8 X 1.25 X 80, Ss	4
▲	7 1230581	(00001-) Knob, Star, 2.75d 4ear, M8x1.25 Fem	4
▲	8 22290	(00001-) Spring, Cmpr, 0.72od .06wir 02.3l	4
▲	9 32716	(00001-) Nut, Hex, Jam, M10 X 1.5, Ss	2
▲	10 1034731	(00001-) Screw, Hex, M6 X 1.00 X 16, Sems, Ss	8
▲	11 1222236	(00001-) Bracket Wldt, Caster, Rh Sqge[T500]	1
▲	12 1006343	(00001-) Caster, Swivel, 50mmd, M10 X 30, Clr PI	2
▲	13 1222001	(00001-) Bracket Wldt, Caster, Lh Sqge [T500]	1
▲	14 12277	(00001-) Screw, Hex, M6 X 1.00 X 20, NI, Ss	1
▲	15 01684	(00001-) Washer, Flat, 0.27b 0.69d .05, Ss	1
▲	16 140060	(00001-) Washer, Wave- Spring, .505 .750 .045	1
▲	17 140154	(00001-) Sleeve, P/M, 0.25b 0.38d 0.3l, PI	1
▲	18 1222109	(00001-) Knob, Sqge, 58l, M6 X 1.00, Plstc	1
▲	19 1209631	(00001-) Cover, Trap, Water, Sqge	1
▲	20 1210756	(00001-) Gasket, Trap, Water, Sqge	1
▲▽	21 9015734	(00001-) Blade Kit, 650mm, Linatex (Standard)	1
▲▲	22 1221585	(00001-) Blade, Sqge, Rear, 1166l, Linatex[650mm] (Standard)	1
▲▲	23 1232680	(00001-) Blade, Sqge, Front, 1072l Linard[650mm] (Standard)	1
▲	24 1221260	(00001-) Retainer, Sqge, 65cm [T500]	1
▲	25 1230738	(00001-) Bracket, Sqge Bumper	2
▽	21 9015735	(00001-) Blade Kit, 650mm, Urethane (Option)	1
▲	22 1228909	(00001-) Blade, Sqge, Rear, 1136l,Urethane[650mm] (Option)	1
▲	23 1228915	(00001-) Blade, Sqge, Front,1072l,Urethane[650mm] (Option)	1
▽	21 9015733	(00001-) Blade Kit, 650mm, Gum (Option)	1
▲	22 1228910	(00001-) Blade, Sqge, Rear, 1136l, Gum[650mm] (Option)	1
▲	23 1228919	(00001-) Blade, Sqge, Front, 1072l Gum[650mm] (Option)	1

▽ ASSEMBLY

▲ INCLUDED IN ASSEMBLY

SQUEEGEE ASSEMBLY, 700MM / 28IN

355439



SQUEEGEE ASSEMBLY, 700MM / 28IN

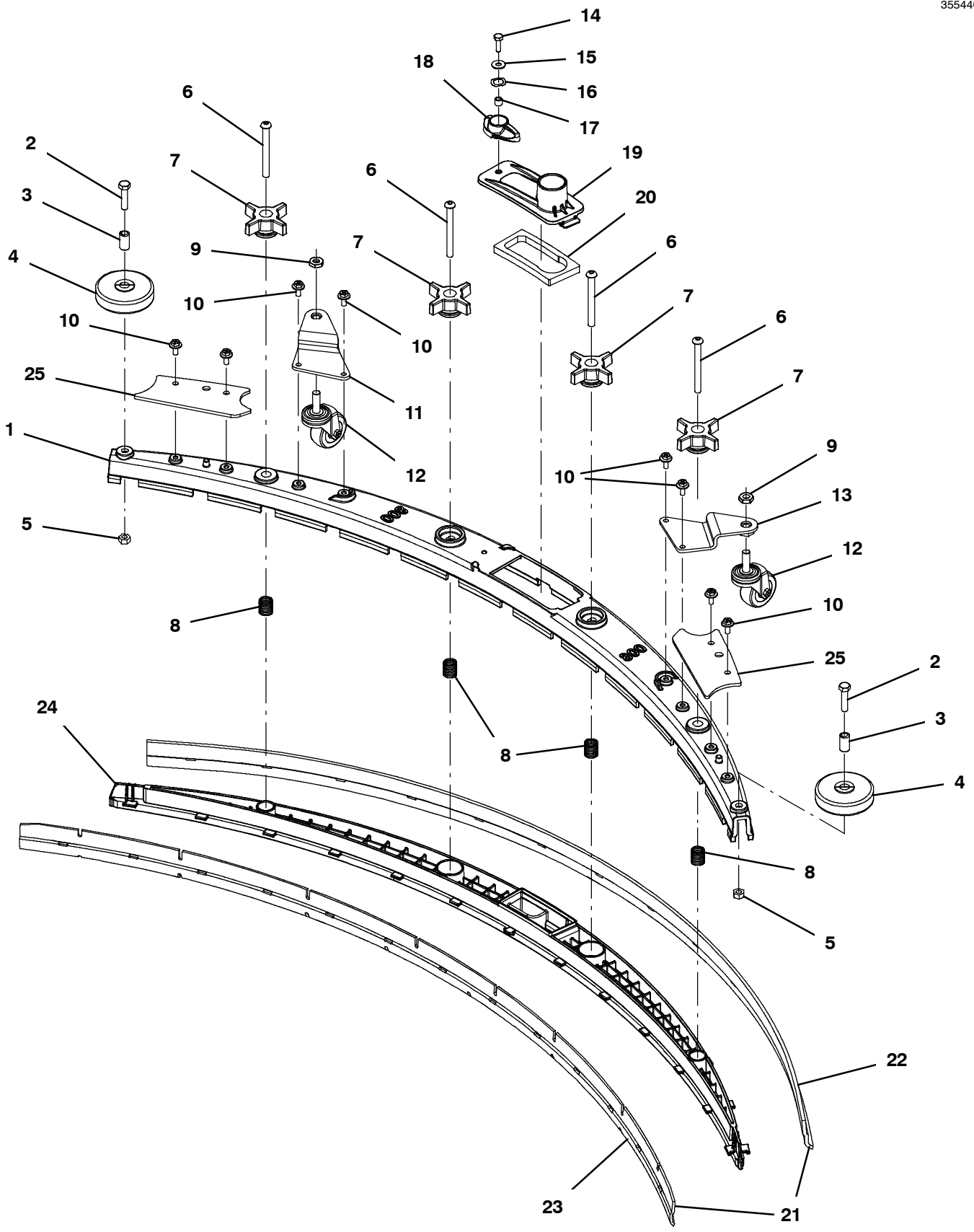
Ref.	Part No.	Serial Number	Description	Qty.
▽	9015302	(00001-) Squeegee Kit, 700mm, Ci	1
▲	1 1220309	(00001-) Frame, Sqge, 70cm, Mach [T500]	1
▲	2 59658	(00001-) Screw, Hex, M8 X 1.25 X 35, NI, Ss	2
▲	3 222496	(00001-) Sleeve, P/M, 0.32b 0.50d 0.9l [430ss]	2
▲	4 222066	(00001-) Wheel, 03.0d 0.88w 0.50b	2
▲	5 07786	(00001-) Nut, Hex, Std, M8 X 1.25, Ss	2
▲	6 1212755	(00001-) Screw, Btn, M8 X 1.25 X 80, Ss	4
▲	7 1230581	(00001-) Knob, Star, 2.75d 4ear, M8x1.25 Fem	4
▲	8 22290	(00001-) Spring, Cmpr, 0.72od .06wir 02.3l	4
▲	9 32716	(00001-) Nut, Hex, Jam, M10 X 1.5, Ss	2
▲	10 1034731	(00001-) Screw, Hex, M6 X 1.00 X 16, Sems, Ss	8
▲	11 1222236	(00001-) Bracket Wldt, Caster, Rh Sqge[T500]	1
▲	12 1006343	(00001-) Caster, Swivel, 50mmd, M10 X 30, Clr PI	2
▲	13 1222001	(00001-) Bracket Wldt, Caster, Lh Sqge [T500]	1
▲	14 12277	(00001-) Screw, Hex, M6 X 1.00 X 20, NI, Ss	1
▲	15 01684	(00001-) Washer, Flat, 0.27b 0.69d .05, Ss	1
▲	16 140060	(00001-) Washer, Wave- Spring, .505 .750 .045	1
▲	17 140154	(00001-) Sleeve, P/M, 0.25b 0.38d 0.3l, PI	1
▲	18 1222109	(00001-) Knob, Sqge, 58l, M6 X 1.00, Plstc	1
▲	19 1209631	(00001-) Cover, Trap, Water, Sqge	1
▲	20 1210756	(00001-) Gasket, Trap, Water, Sqge	1
▲▽	21 9015737	(00001-) Blade Kit, 700mm, Linatex (Standard)	1
▲▲	22 1221572	(00001-) Blade, Sqge, Rear, 1204l, Linatex[700mm] (Standard)	1
▲▲	23 1232679	(00001-) Blade, Sqge, Front, 1148l Linard[700mm] (Standard)	1
▲	24 1220783	(00001-) Retainer, Sqge, 70cm [T500]	1
▲	25 1230738	(00001-) Bracket, Sqge Bumper	2
▽	21 9015738	(00001-) Blade Kit, 700mm, Urethane (Option)	1
▲	22 1228904	(00001-) Blade, Sqge, Rear, 1204l,Urethane[700mm] (Option)	1
▲	23 1228906	(00001-) Blade, Sqge, Front,1148l Urethane[700mm] (Option)	1
▽	21 9015736	(00001-) Blade Kit, 700mm, Gum (Option)	1
▲	22 1228905	(00001-) Blade, Sqge, Rear, 1204l, Gum[700mm] (Option)	1
▲	23 1228907	(00001-) Blade, Sqge, Front, 1148l Gum[700mm] (Option)	1

▽ ASSEMBLY

▲ INCLUDED IN ASSEMBLY

SQUEEGEE ASSEMBLY, 800MM / 32IN

355440



SQUEEGEE ASSEMBLY, 800MM / 32IN

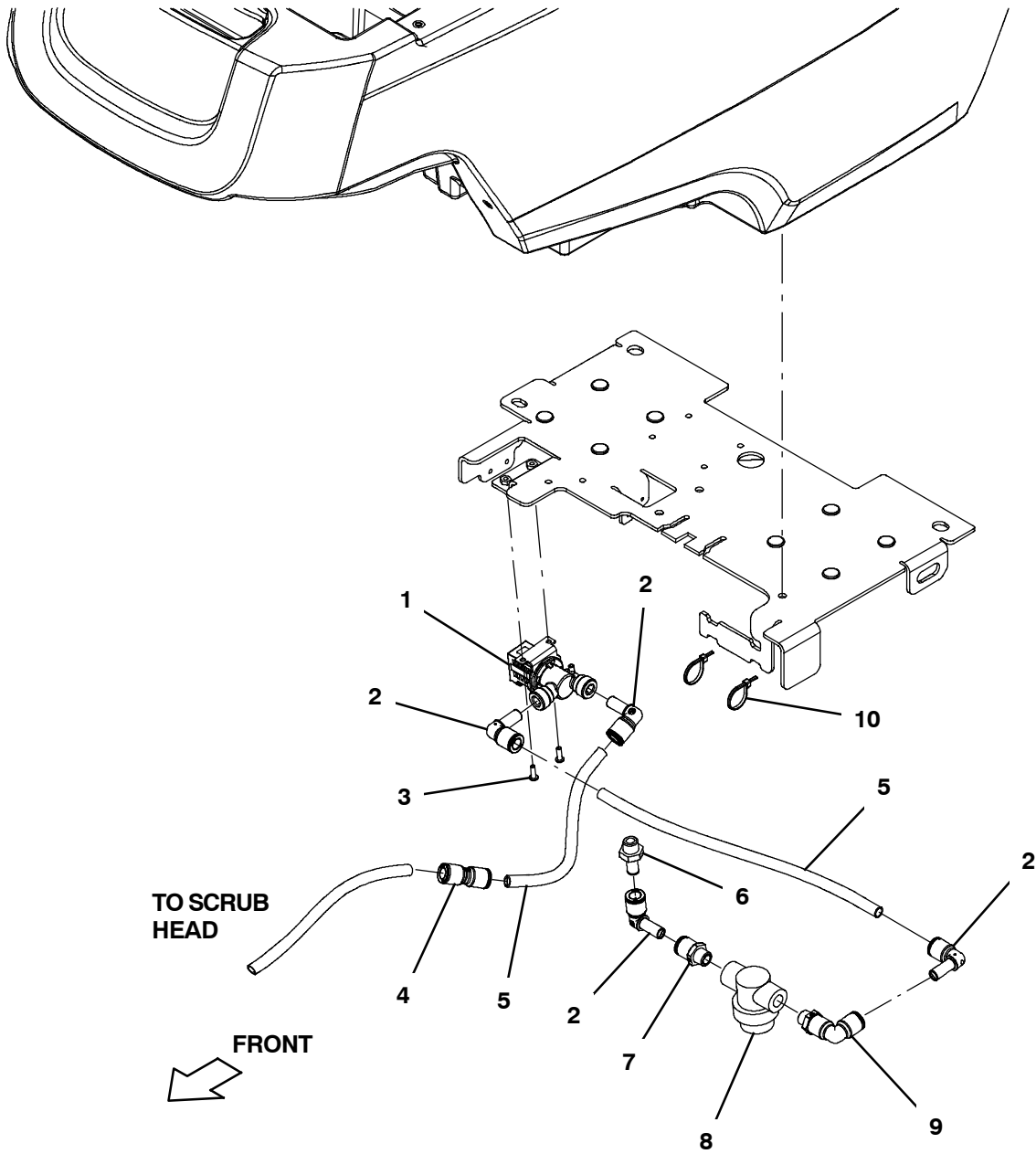
Ref.	Part No.	Serial Number	Description	Qty.
▽	9015303	(00001-) Squeegee Kit, 800mm, Ci	1
▲	1 1219894	(00001-) Frame, Sqge, 80cm, Mach [T500]	1
▲	2 59658	(00001-) Screw, Hex, M8 X 1.25 X 35, NI, Ss	2
▲	3 222496	(00001-) Sleeve, P/M, 0.32b 0.50d 0.9l [430ss]	2
▲	4 222066	(00001-) Wheel, 03.0d 0.88w 0.50b	2
▲	5 07786	(00001-) Nut, Hex, Std, M8 X 1.25, Ss	2
▲	6 1212755	(00001-) Screw, Btn, M8 X 1.25 X 80, Ss	4
▲	7 1230581	(00001-) Knob, Star, 2.75d 4ear, M8x1.25 Fem	4
▲	8 22290	(00001-) Spring, Cmpr, 0.72od .06wir 02.3l	4
▲	9 32716	(00001-) Nut, Hex, Jam, M10 X 1.5, Ss	2
▲	10 1034731	(00001-) Screw, Hex, M6 X 1.00 X 16, Sems, Ss	8
▲	11 1222236	(00001-) Bracket Wldt, Caster, Rh Sqge[T500]	1
▲	12 1006343	(00001-) Caster, Swivel, 50mmd, M10 X 30, Clr PI	2
▲	13 1222001	(00001-) Bracket Wldt, Caster, Lh Sqge [T500]	1
▲	14 12277	(00001-) Screw, Hex, M6 X 1.00 X 20, NI, Ss	1
▲	15 01684	(00001-) Washer, Flat, 0.27b 0.69d .05, Ss	1
▲	16 140060	(00001-) Washer, Wave- Spring, .505 .750 .045	1
▲	17 140154	(00001-) Sleeve, P/M, 0.25b 0.38d 0.3l, PI	1
▲	18 1222109	(00001-) Knob, Sqge, 58l, M6 X 1.00, Plstc	1
▲	19 1209631	(00001-) Cover, Trap, Water, Sqge	1
▲	20 1210756	(00001-) Gasket, Trap, Water, Sqge	1
▲▽	21 9015740	(00001-) Blade Kit, 800mm, Linatex (Standard)	1
▲▲	22 1221115	(00001-) Blade, Sqge, Rear, 1306l, Linatex[800mm] (Standard)	1
▲▲	23 1232681	(00001-) Blade, Sqge, Front, 1256l Linard[800mm] (Standard)	1
▲	24 1219405	(00001-) Retainer, Sqge, 80cm [T500]	1
▲	25 1230738	(00001-) Bracket, Sqge Bumper	2
▽	21 9015741	(00001-) Blade Kit, 800mm, Urethane (Option)	1
▲	22 1228920	(00001-) Blade, Sqge, Rear, 1306l,Urethane[800mm] (Option)	1
▲	23 1228922	(00001-) Blade, Sqge, Front,1256l Urethane[800mm] (Option)	1
▽	21 9015739	(00001-) Blade Kit, 800mm, Gum (Option)	1
▲	22 1228921	(00001-) Blade, Sqge, Rear, 1306l, Gum[800mm] (Option)	1
▲	23 1228923	(00001-) Blade, Sqge, Front, 1256l Gum[800mm] (Option)	1

▽ ASSEMBLY

▲ INCLUDED IN ASSEMBLY

STANDARD SOLUTION GROUP

355435



STANDARD SOLUTION GROUP

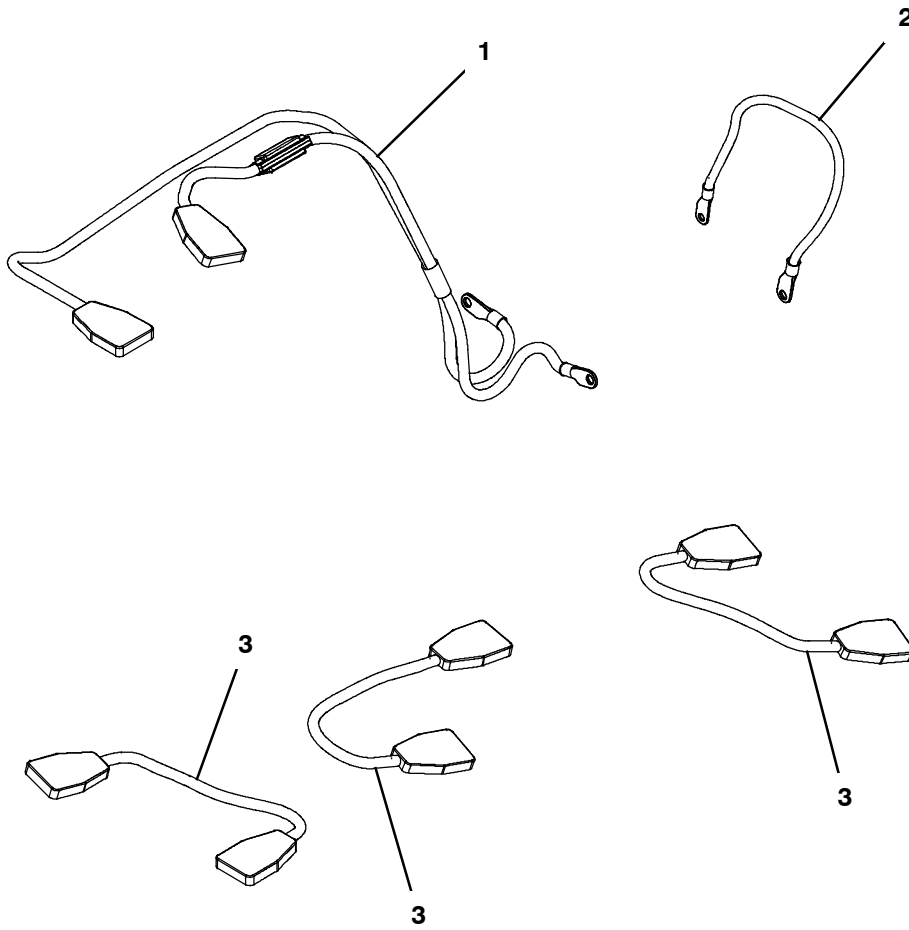
Ref.	Part No.	Serial Number	Description	Qty.	
1	1211424	(00001-) Valve, Water, Solenoid, 24vdc Qf08/Qf08	1	
2	1212809	(00001-) Fitting, Plstc, E90, Qf08/Qm08	4	
3	1205799	(00001-) Screw, Btn, M5 X 0.8 X 16, 8.8, NI, Torx	2	
4	1212859	(00001-) Fitting, Plstc, Str, Qf08/Qf08	1	
5	9014145	(00001-) Hose, Afrmkt, Pe, .375id .50od, 05ft	1	
6	1227552	(00001-) Fitting, Plstc, Str, Qm08/Pm06	1	
7	1212813	(00001-) Fitting, Plstc, Str, Qf08/Pm06	1	
▽	8	1211537	(00001-) Filter, In- Line, Pf06/Pf06 080m 2.6l Epd	1
▲		1218885	(00001-) Gasket [Epdm, F/1211537]	1
▲		1218883	(00001-) Screen, Fltr, 80 Mesh, Ss [W/ Cage]	1
▲		613991	(00001-) Bowl, Clr, Short, F/1005302	1
	9	1212987	(00001-) Fitting, Plstc, E90, Qf08/Pm06, Swivel	1
	10	130773	(00001-) Tie, Cable, Nyl, 11.0l, .14w, 3.0 Max. D	2

▽ ASSEMBLY

▲ INCLUDED IN ASSEMBLY

STANDARD BATTERY CABLES GROUP

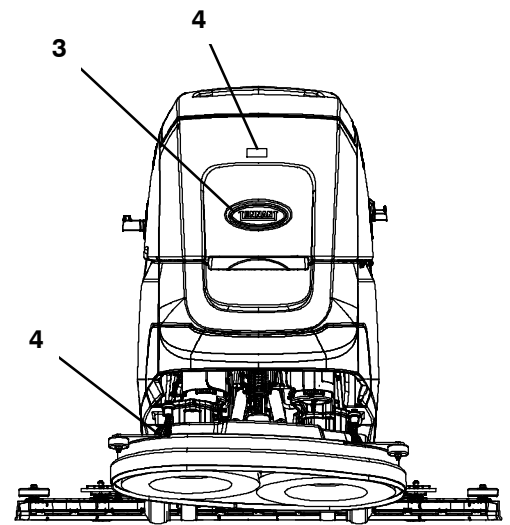
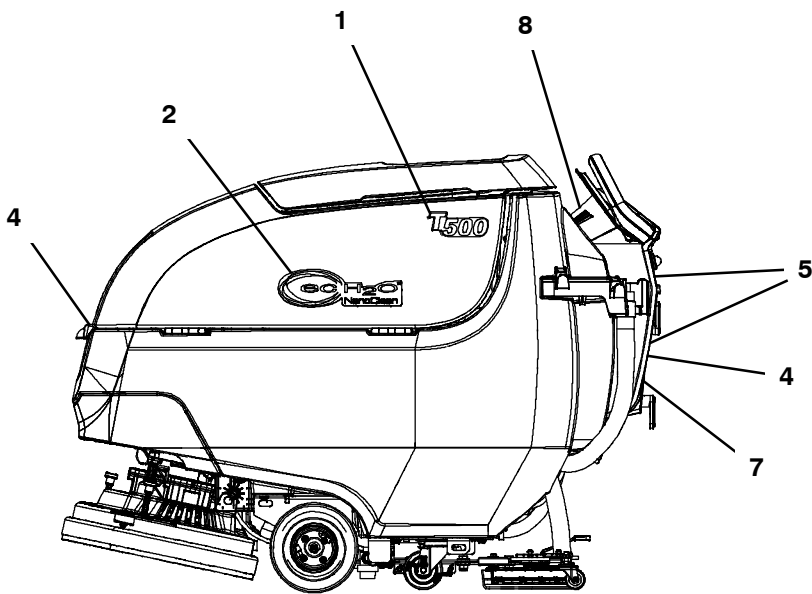
355457



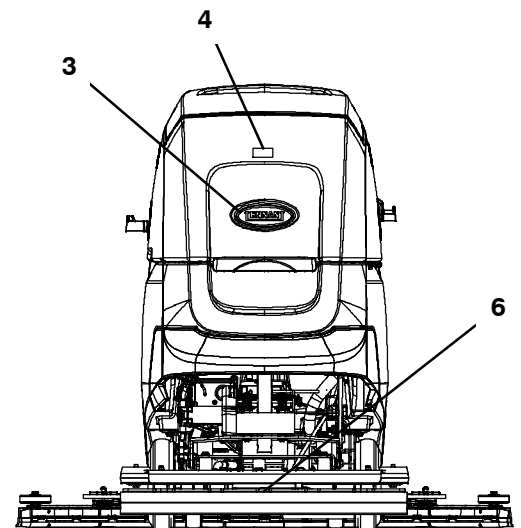
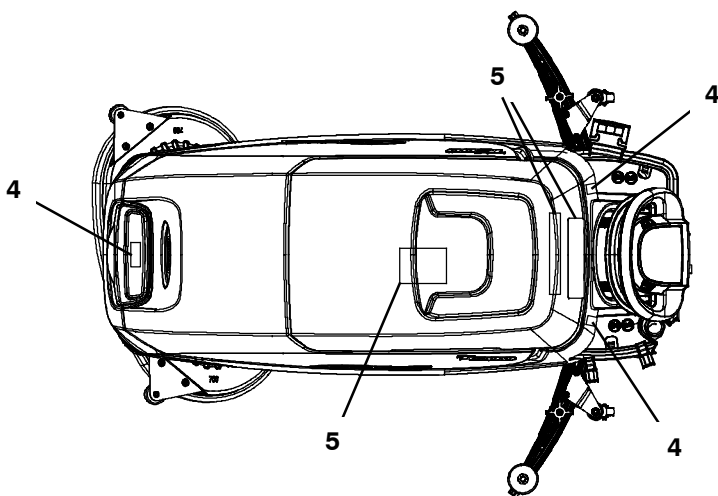
Ref.	Part No.	Serial Number	Description	Qty.
1	1074943	(00001-) Cable, Assy [T500, T500e, Ce]	1
2	1074945	(00001-) Cable, 04ga 15.0l Red [M8 Ring/M6 Ring]	1
3	1065638	(00001-) Cable, Battery, 16mm2 0290l Blk, 2clamp	3

LABEL GROUP

355497



DISK & CYLINDRICAL HEAD



ORBITAL HEAD

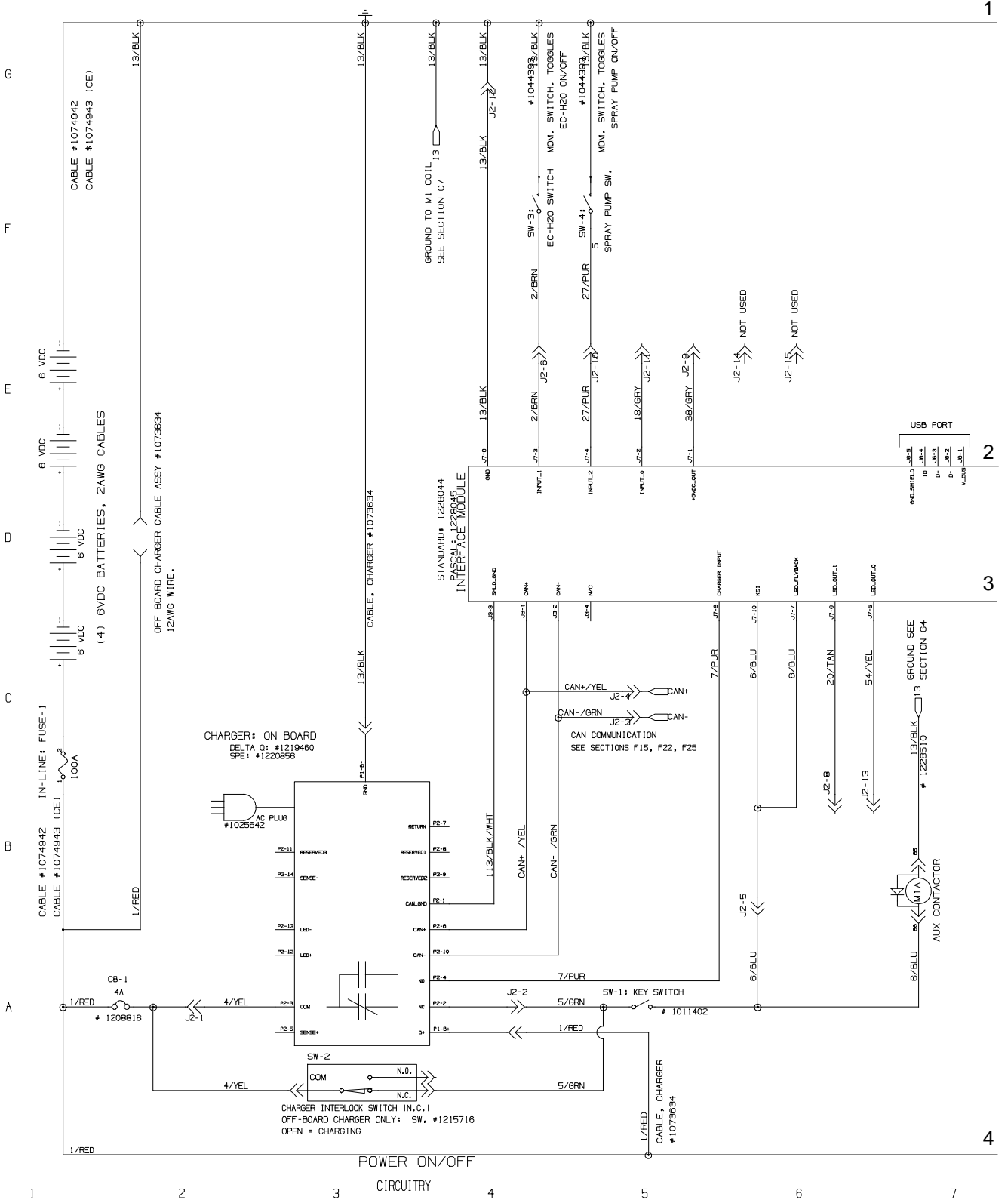
Ref.	Part No.	Serial Number	Description	Qty.
1	1224983	(00001-) Label, T500	2
2	1216520	(00001-) Label, Logo [Ech2o Nano]	2
3	1213114	(00001-) Label, Logo, 05.5l, Blk/Sil [Tennant]	1
4	1220963	(00001-) Label Sheet, Info/Hzrd [T500, Ce]	1
5	1220965	(00001-) Label Sheet, Operational [T500]	1
6	1224995	(00001-) Label, Orbital, Size, 70cm	1
7	1225763	(00001-) Label, Decal, Charger, Off- Board	1
8	1229725	(00001-) Label, Warning [Do Not Spray]	1

ELECTRICAL DIAGRAM (PAGE 1 OF 4)

1075014_00

BATTERY /
CHARGER
SYSTEMS

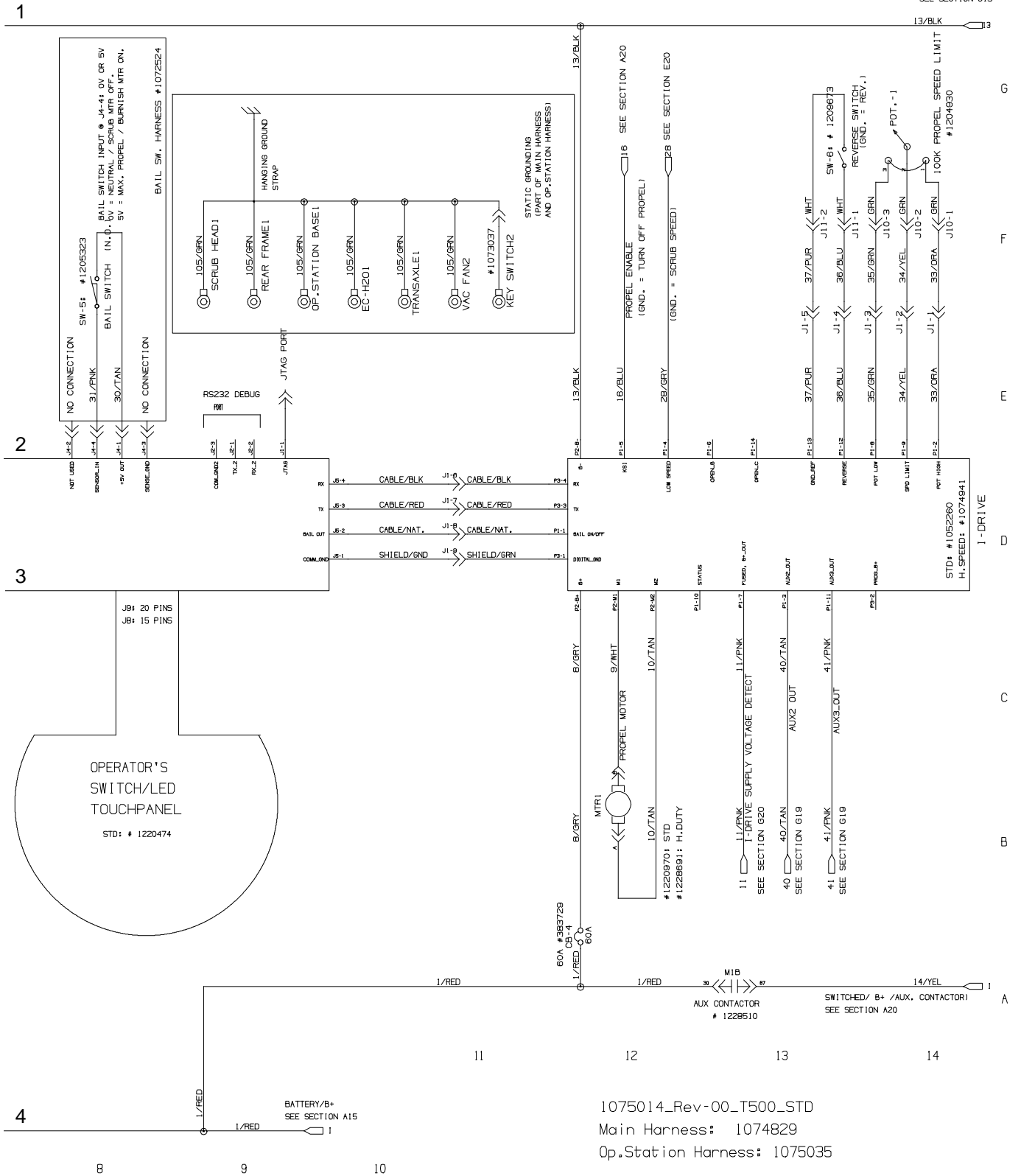
USER INTERFACE
MODULE



ELECTRICAL DIAGRAM (PAGE 2 OF 4)

1075014_00

PROPEL SYSTEM

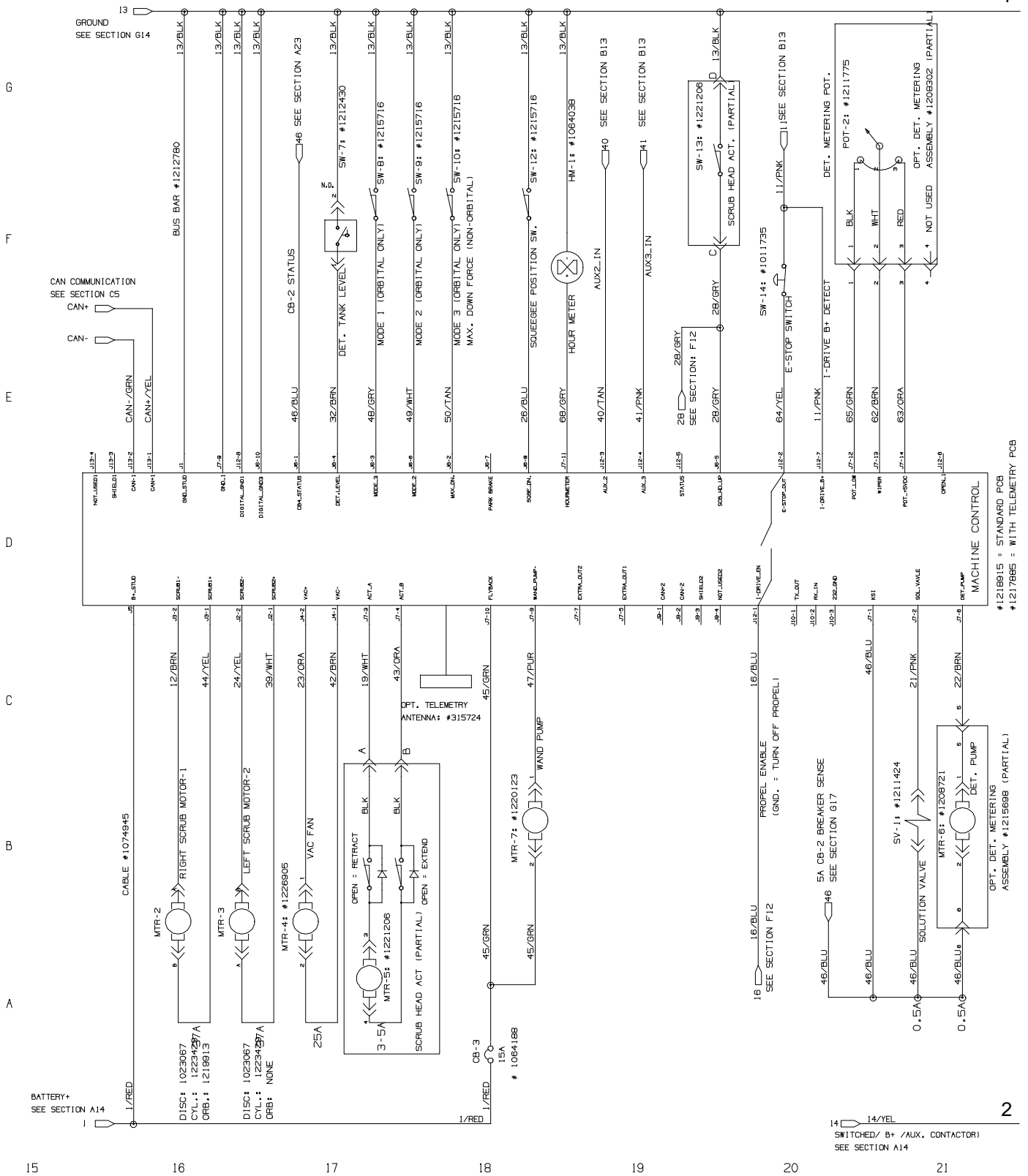


1075014_Rev-00_T500_STD
 Main Harness: 1074829
 Op.Station Harness: 1075035

ELECTRICAL DIAGRAM (PAGE 3 OF 4)

1075014_00

PREMIUM CONTROLLER

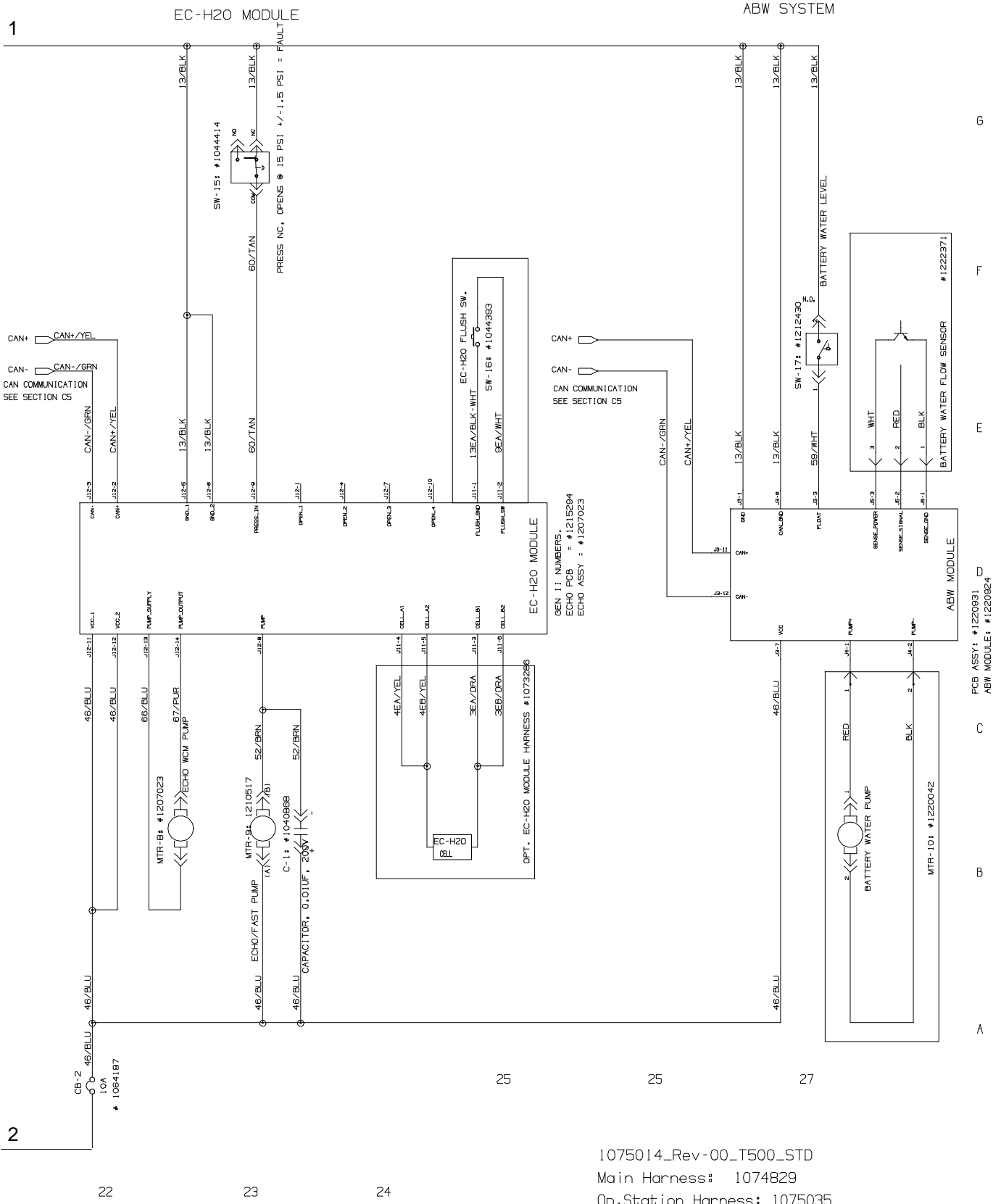


1

2

ELECTRICAL DIAGRAM (PAGE 4 OF 4)

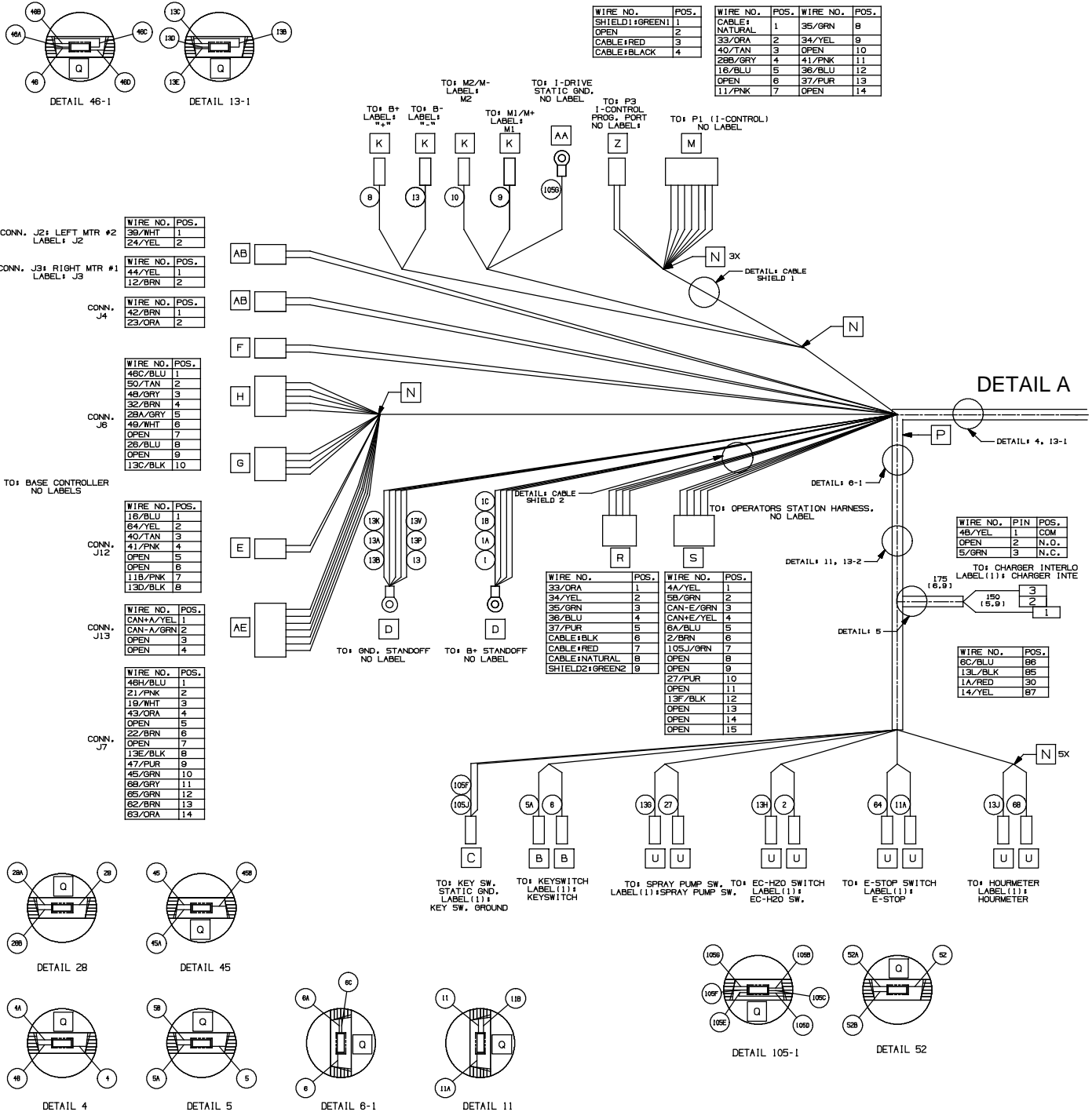
1075014_00



1075014_Rev-00_T500_STD
 Main Harness: 1074829
 Op.Station Harness: 1075035

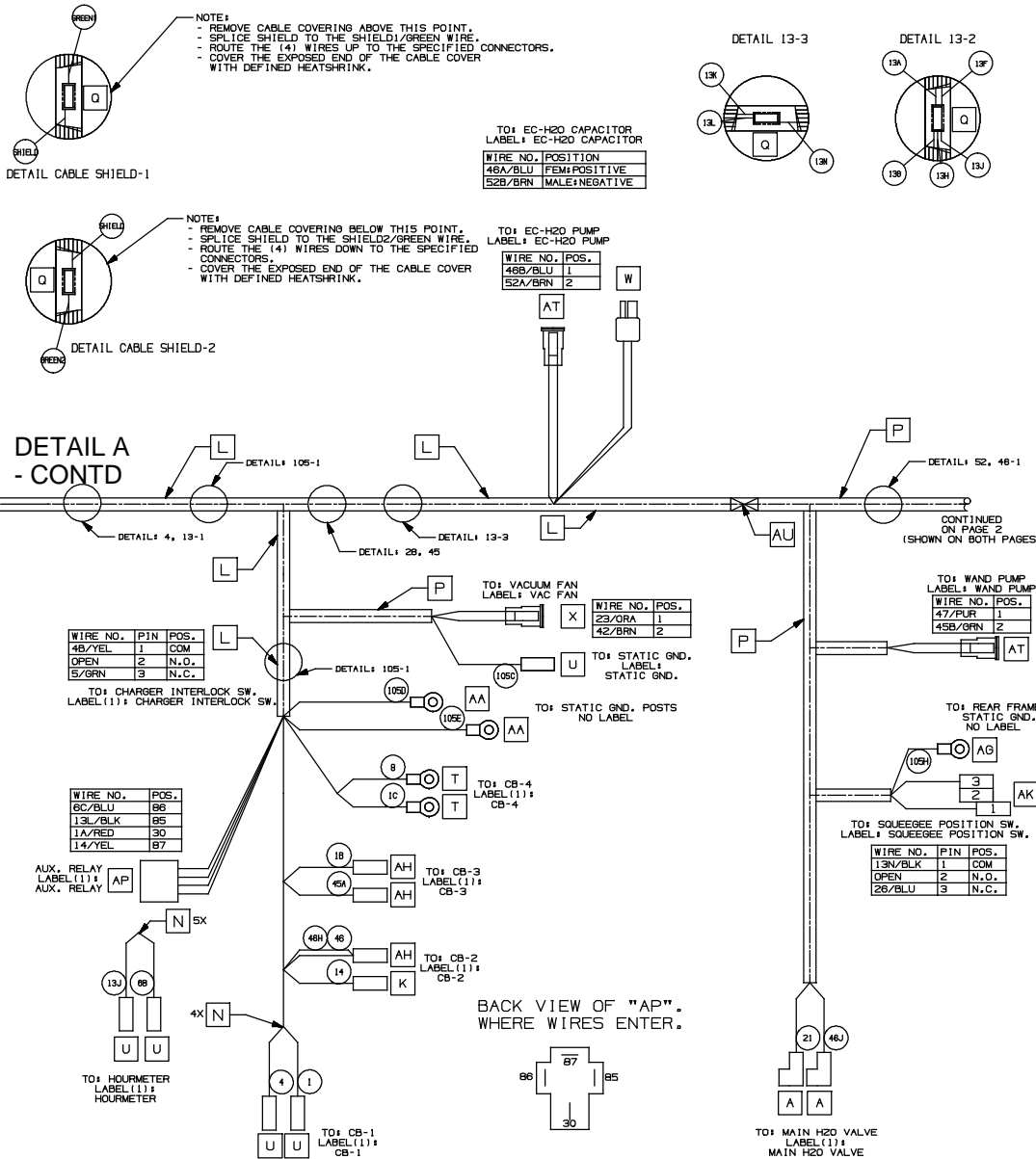
ELECTRICAL HARNESS, MAIN (PAGE 1 OF 4)

1074829_01



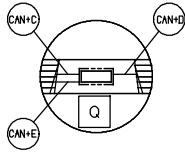
ELECTRICAL HARNESS, MAIN (PAGE 2 OF 4)

1074829_01

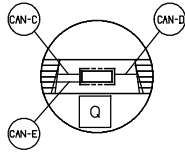


ELECTRICAL HARNESS, MAIN (PAGE 3 OF 4)

1074829_01



DETAIL CAN3



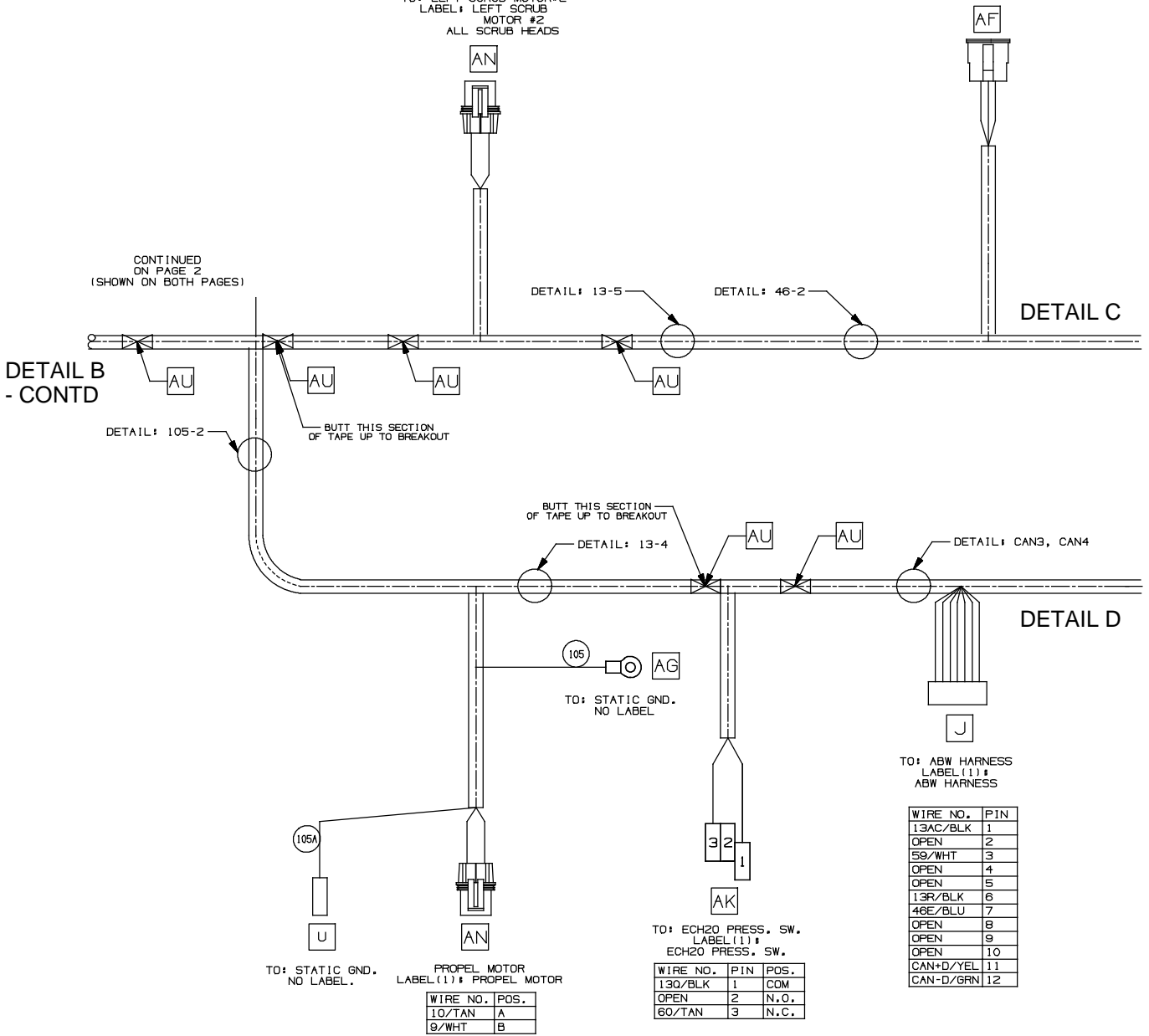
DETAIL CAN4

WIRE NO.	POS.
39/WHT	A
24/YEL	B

TO: LEFT SCRUB MOTOR#2
 LABEL: LEFT SCRUB
 MOTOR #2
 ALL SCRUB HEADS

WIRE NO.	POS.
65/GRN	1
62/BRN	2
63/ORA	3
OPEN	4
22/BRN	5
46K/BLU	6

TO: DET. METERING
 LABEL: DET. METERING



TO: STATIC GND.
 NO LABEL.

PROPEL MOTOR
 LABEL (1) # PROPEL MOTOR

WIRE NO.	POS.
10/TAN	A
9/WHT	B

TO: ECH20 PRESS. SW.
 LABEL (1) #
 ECH20 PRESS. SW.

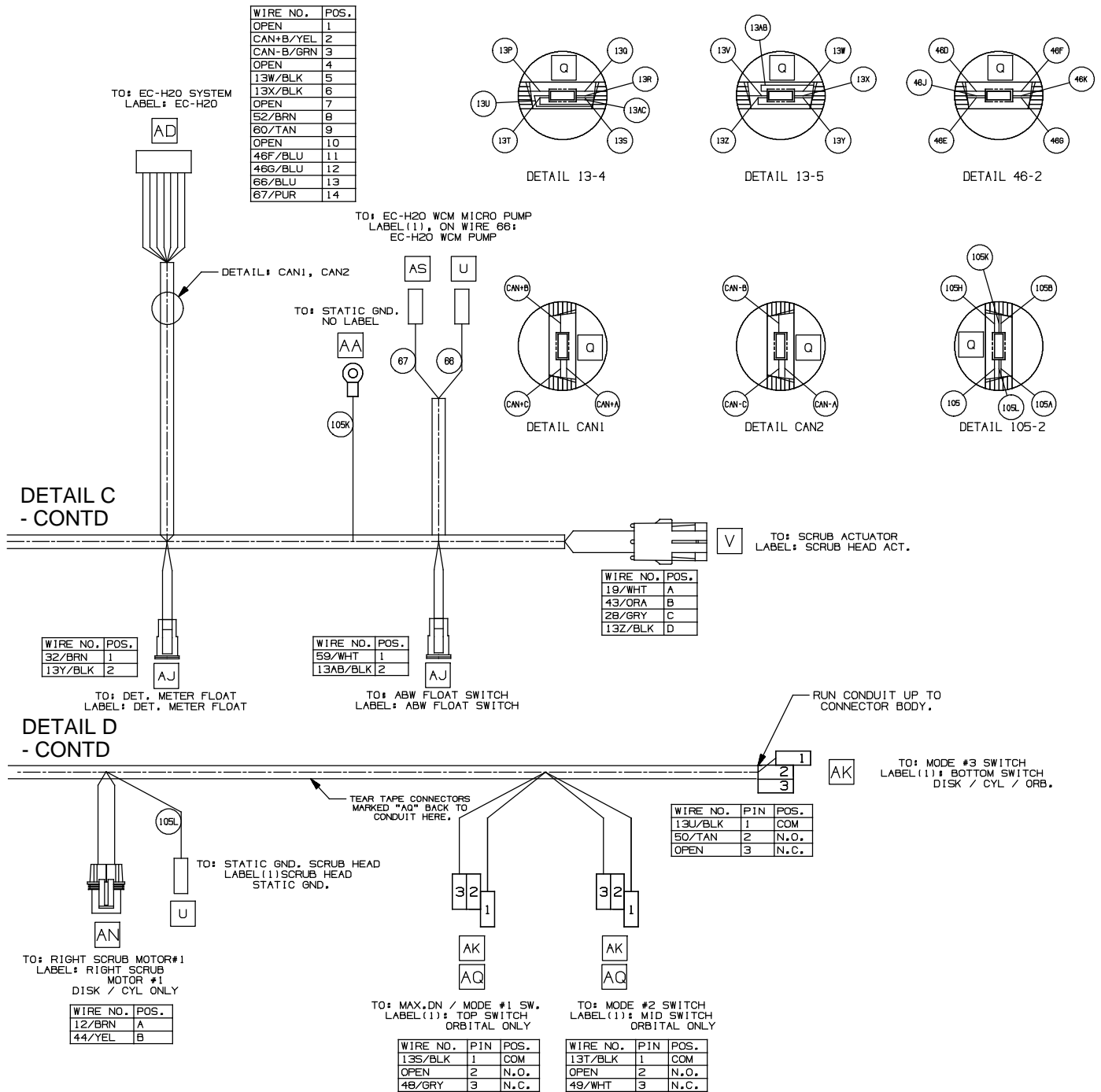
WIRE NO.	PIN	POS.
130/BLK	1	COM
OPEN	2	N.O.
60/TAN	3	N.C.

TO: ABW HARNESS
 LABEL (1) #
 ABW HARNESS

WIRE NO.	PIN
13AC/BLK	1
OPEN	2
59/WHT	3
OPEN	4
OPEN	5
13R/BLK	6
46E/BLU	7
OPEN	8
OPEN	9
OPEN	10
CAN+D/YEL	11
CAN-D/GRN	12

ELECTRICAL HARNESS, MAIN (PAGE 4 OF 4)

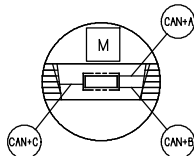
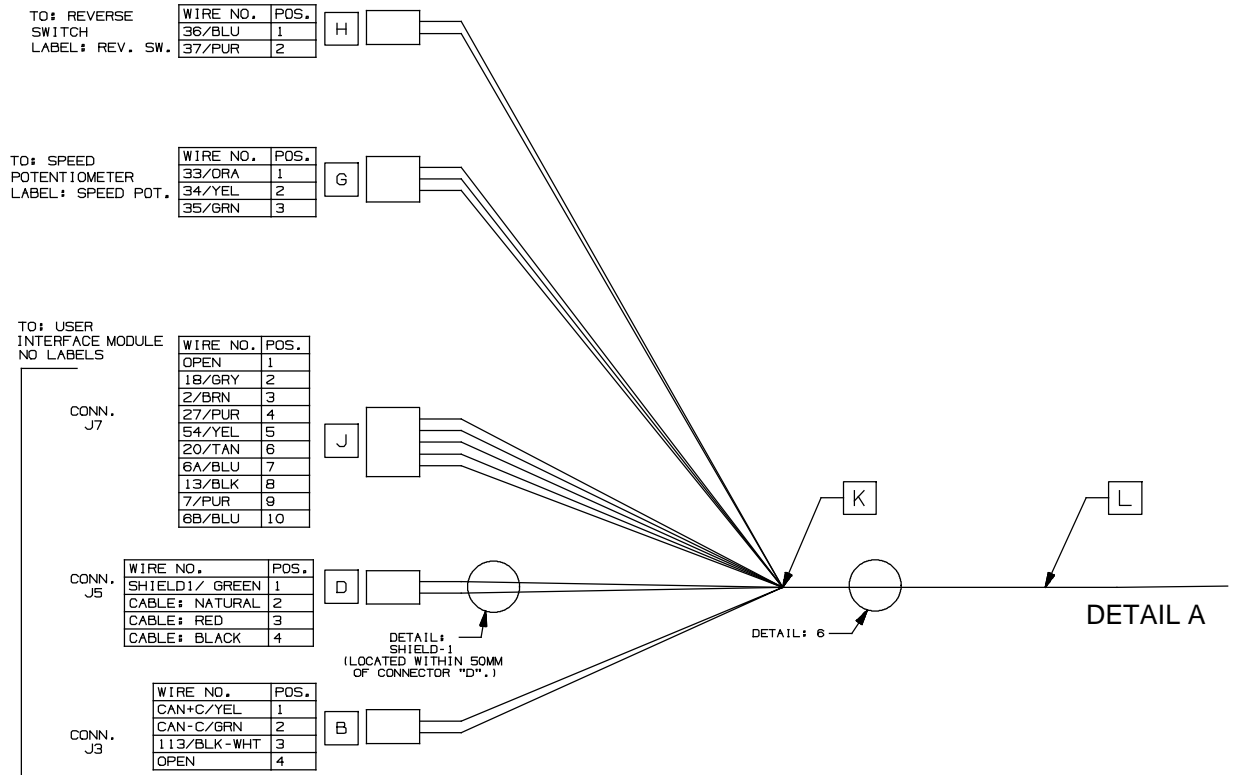
1074829_01



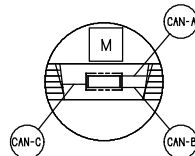
Part No.	Serial Number	Description	Qty.
1074829	(00001-) Harness, Main, Ele [T500]	1

ELECTRICAL HARNESS, OPERATOR STATION

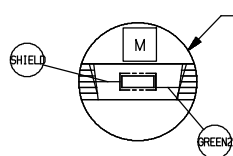
1075035_01



DETAIL CAN 1



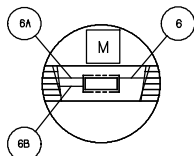
DETAIL CAN 2



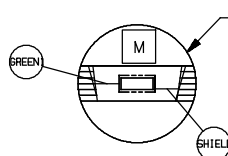
DETAIL CABLE SHIELD-2

NOTE:

- REMOVE CABLE COVERING RIGHT OF THIS POINT.
- SPLICE SHIELD TO THE SHIELD2*GREEN WIRE.
- ROUTE THE (4) WIRES RIGHT TO THE SPECIFIED CONNECTORS.
- COVER THE EXPOSED END OF THE CABLE COVER WITH DEFINED HEATSHRINK.



DETAIL 6



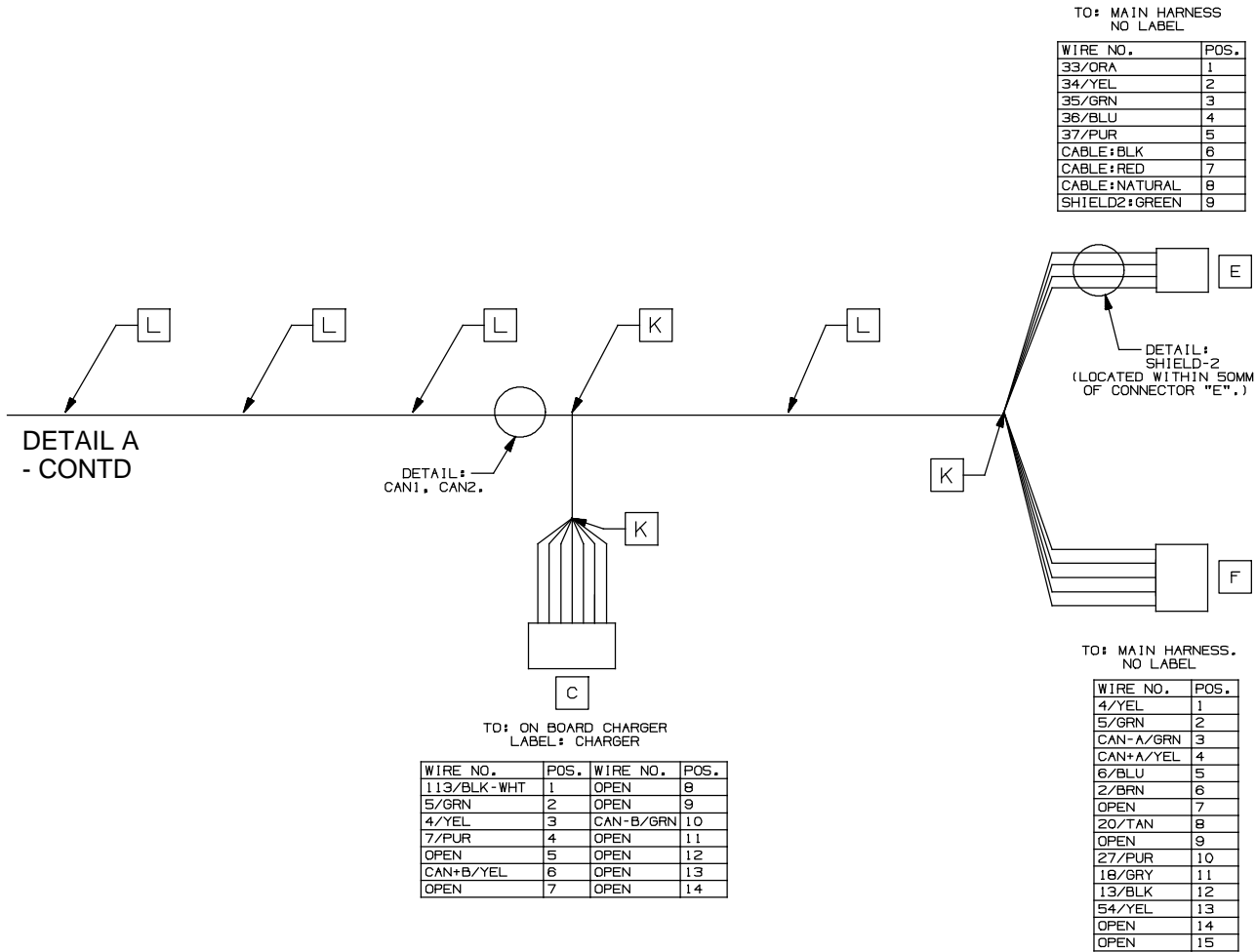
DETAIL CABLE SHIELD-1

NOTE:

- REMOVE CABLE COVERING LEFT OF THIS POINT.
- SPLICE SHIELD TO THE SHIELD1*GREEN WIRE.
- ROUTE THE (4) WIRES LEFT TO THE SPECIFIED CONNECTORS.
- COVER THE EXPOSED END OF THE CABLE COVER WITH DEFINED HEATSHRINK.

ELECTRICAL HARNESS, OPERATOR STATION

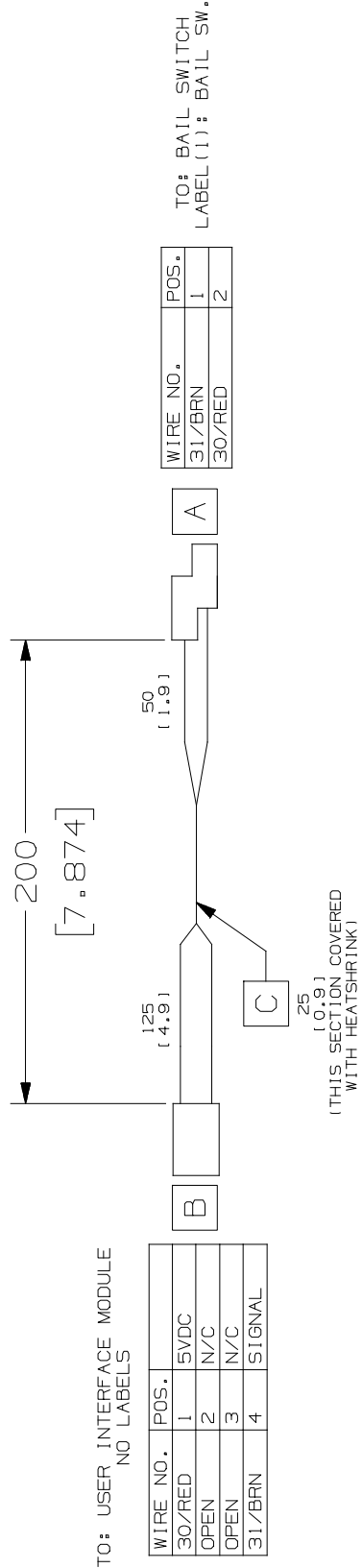
1075035_01



Part No.	Serial Number	Description	Qty.
1075035	(00001-) Harness, Ele [Op. Station, T500]	1

ELECTRICAL HARNESS, BAIL SWITCH

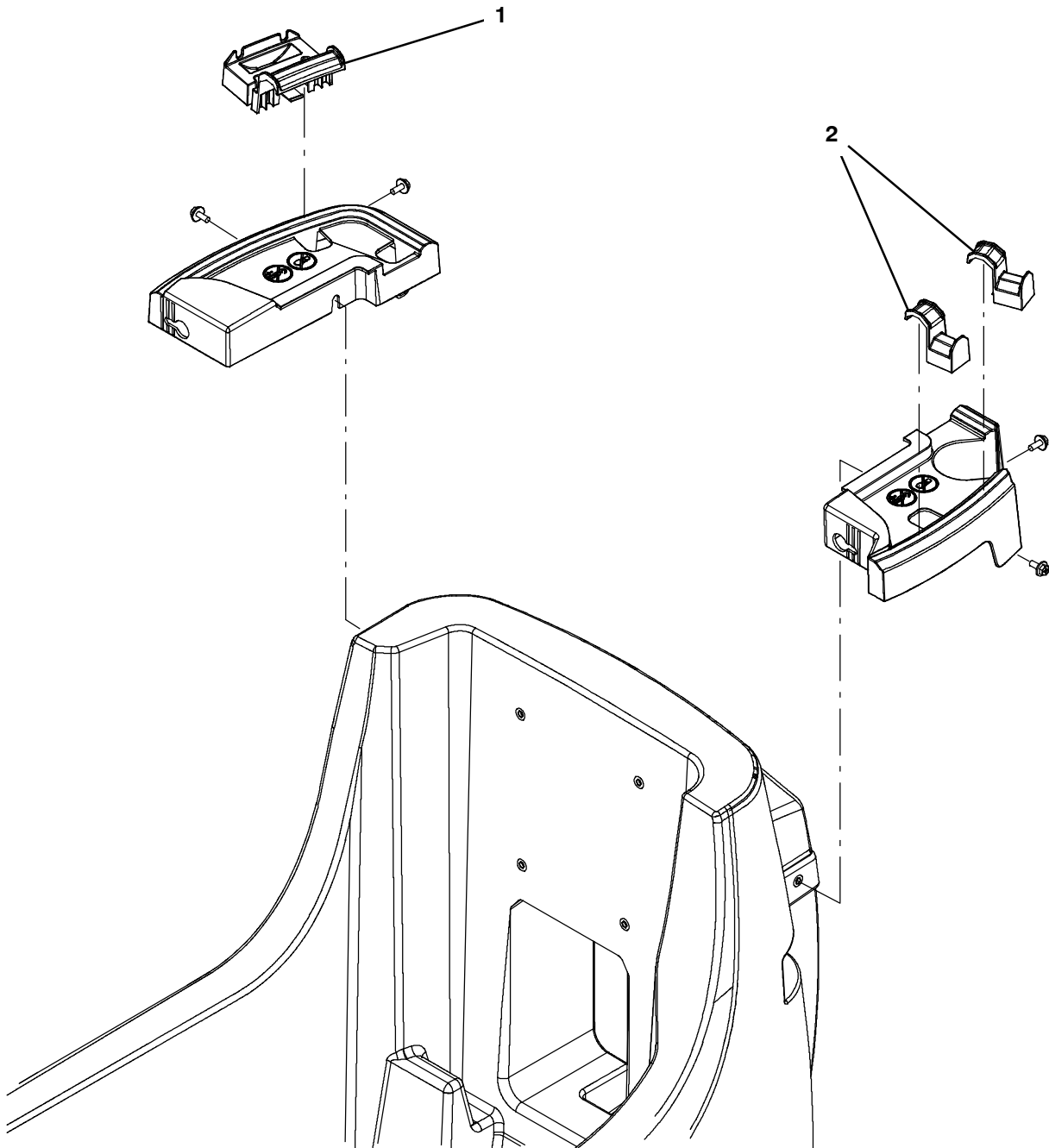
1072524_00



Part No.	Serial Number	Description	Qty.
1072524	(00001-) Harness, Ele [Bail Switch]	1

ACCESSORY RAIL CLIP KIT

355481



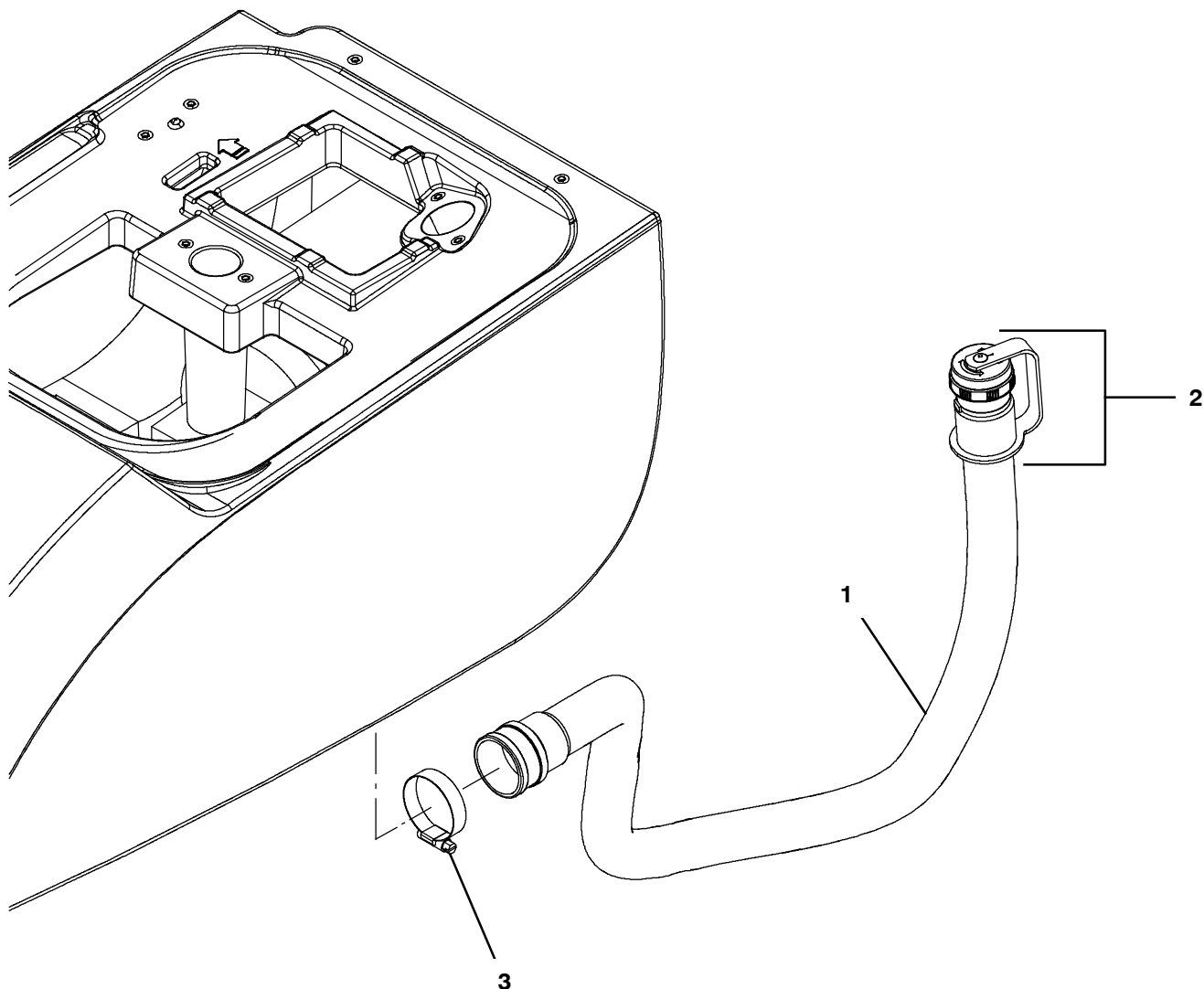
Ref.	Part No.	Serial Number	Description	Qty.
▽	9013845	(00001-) Clip Kit, Rail, [T300/T300e/Ss300]	1
▲ 1	1214292	(00001-) Bracket, Hanger, Rail, Lrg	1
▲ 2	1214291	(00001-) Bracket, Hanger, Rail, Small	2

▽ ASSEMBLY

▲ INCLUDED IN ASSEMBLY

SCREW CAP DRAIN HOSE GROUP

355503



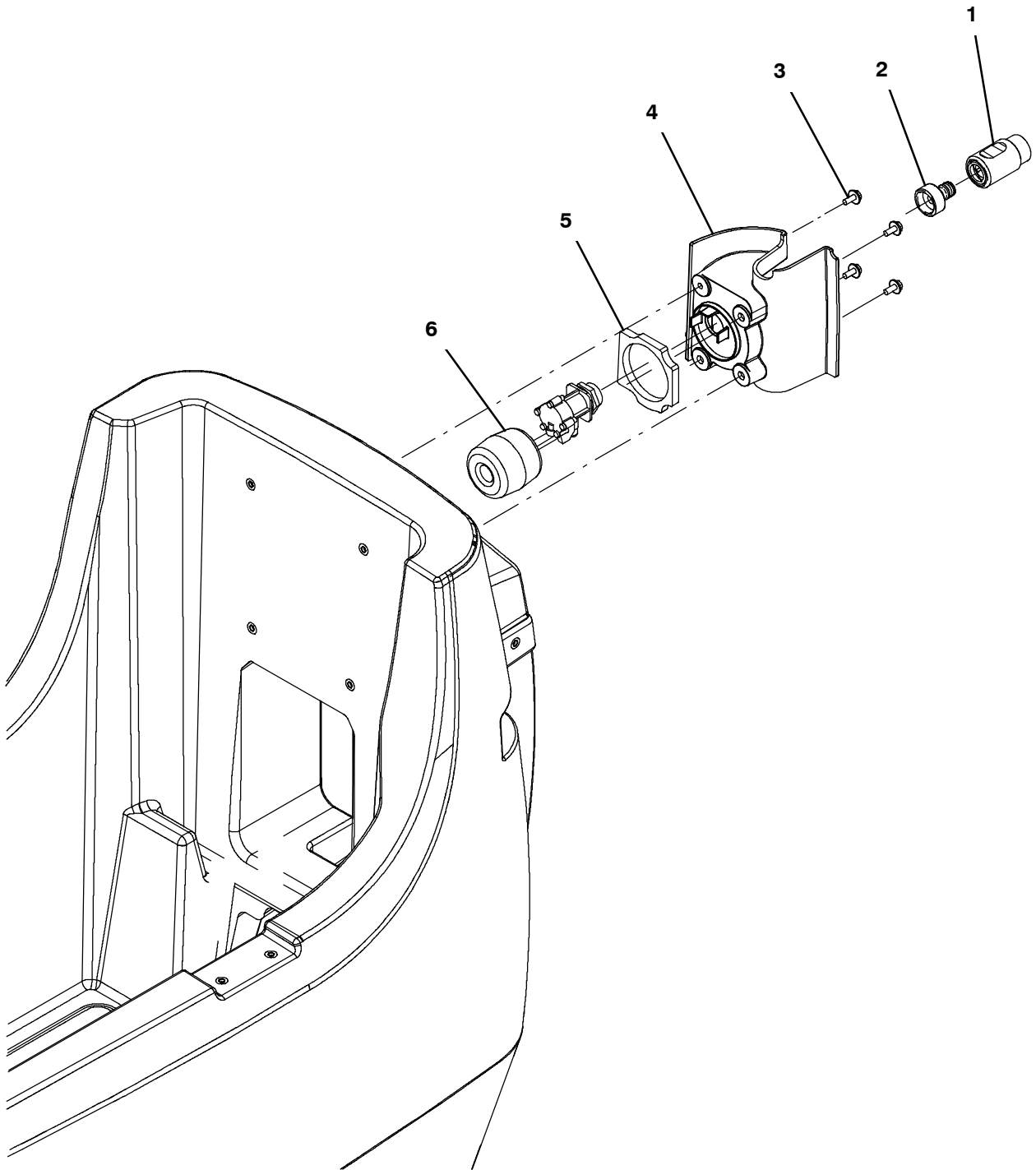
Ref.	Part No.	Serial Number	Description	Qty.
▽ 1	1219406	(00001-) Hose Assy, Drain, 1.5d 029l 2/1.5cap[Pu] (Gray)	1
▲ 2	1219134	(00001-) Cap, Drain Assy [Gray]	1
3	22297	(00001-) Clamp, Hose, Wormdrive, 1.56- 2.50d, .50w	1

▽ ASSEMBLY

▲ INCLUDED IN ASSEMBLY

SOLUTION TANK AUTO-FILL KIT

355455



SOLUTION TANK AUTO-FILL KIT

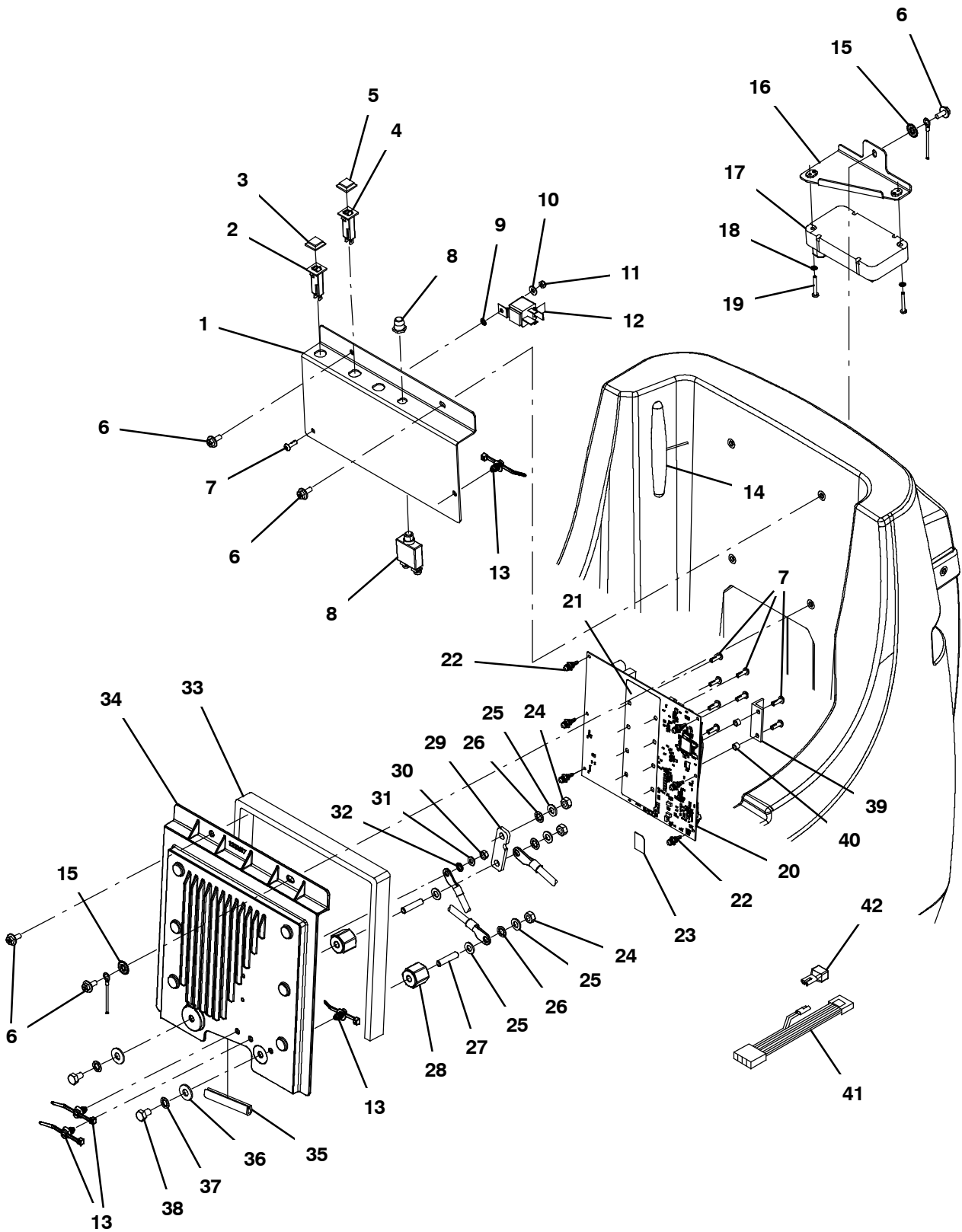
Ref.	Part No.	Serial Number	Description	Qty.
▽	9015482	(00001-) Fill Kit, Auto, Ci	1
▲	1 1227512	(00001-) Fitting, Plstc, Qd, Female	1
▲	2 1227400	(00001-) Fitting, Plstc, Qd, Male	1
▲	3 1034731	(00001-) Screw, Hex, M6 X 1.00 X 16, Sems, Ss	4
▲	4 1225411	(00001-) Cover, Auto Fill[T500]	1
▲	5 1220263	(00001-) Seal, Bulk Head, Water	1
▲	6 1219566	(00001-) Valve, Float, 6.7gpm	1

▽ ASSEMBLY

▲ INCLUDED IN ASSEMBLY

TELEMETRY ELECTRICAL GROUP

355565



TELEMETRY ELECTRICAL GROUP

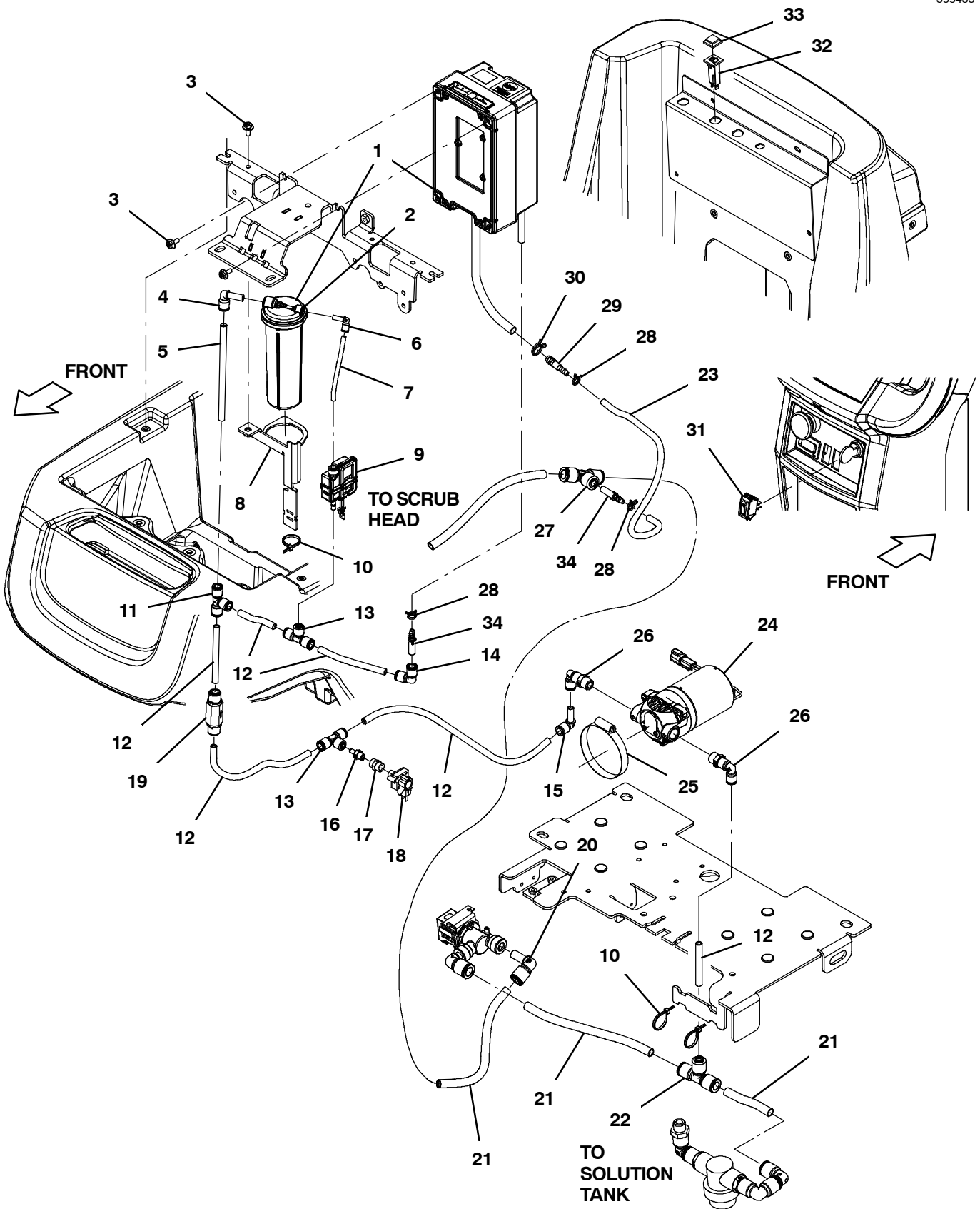
Ref.	Part No.	Serial Number	Description	Qty.
1	1218761	(00001-) Bracket, Mtg [Circuitbreakers- T500]	1
2	1208816	(00001-) Circuitbreaker, 04.0a, Resetable	1
3	1064191	(00001-) Boot, Circuitbreaker	1
4	1064187	(00001-) Circuitbreaker, 10.0a, Resetable	1
5	1064191	(00001-) Boot, Circuitbreaker	1
6	1034731	(00001-) Screw, Hex, M6 X 1.00 X 16, Sems, Ss	5
7	1205799	(00001-) Screw, Btn, M5 X 0.8 X 16, 8.8, NI, Torx	9
8	383729	(00001-) Circuitbreaker, 60.0a	1
9	07514	(00001-) Washer, Lock, Int, 10, Ss	1
10	01683	(00001-) Washer, Flat, 10, Ss	1
11	09739	(00001-) Nut, Hex, Lock, M5 X 0.80, NI, Ss	1
12	1228510	(00001-) Relay, 24vdc, 80a, Spst No, Plug- In	1
13	1210807	(00001-) Wire, Tie [W/.25" Fir Tree Clip]	4
14	315724	(00001-) Antenna, Telem, 18.0 In [Gprs]	1
15	41140	(00001-) Washer, Lock, Int- Ext, 0.25	2
16	1223824	(00001-) Bracket Wldt, Mtg, Cntrl, [T300/T300e]	1
17	9015776	(00001-) Drive Module Kit, Ci	1
18	02938	(00001-) Washer, Lock, Int, 08, Ss	2
19	33931	(00001-) Screw, Pan, Phl, M4 X 0.70 X 30, Ss	2
▽	20	9015787	(00001-) Kit, Control Board, Telem, Ci [T500]	1
▲	27964	(00001-) Strap, Ground, Static, Disposable	1
▲	1071235	(00001-) Cable [Usb, 2m, A- Male To Mini- B- Male]	1
▲	130773	(00001-) Tie, Cable, Nyl, 11.0l, .14w, 3.0 Max. D	3
	21	1220930	(00001-) Circuitboard, Silpad [T500, Main Scrub]	1
	22	1209448	(00001-) Standoff, Circuitboard, .25	1
	23	9014187	(00001-) Kit, Telem, Ci [Sim, Intl, T300]	1
	24	41361	(00001-) Nut, Hex, Std, M8 X 1.25, Brs	6
	25	1209373	(00001-) Washer, Flat, M8.4b X 16d X 1.6, Brs	3
	26	43952	(00001-) Washer, Lock, Int, 0.31, Ss	5
	27	607461	(00001-) Screw, Set, M8 X 1.25 X 35, NI	3
	28	1205345	(00001-) Stand- Off, Wir, M8, Insulator, Panel	2
	29	1212780	(00001-) Busbar, 125a 0.188 0.750w 2.638l	2
	30	1061910	(00001-) Nut, Hex, Std, M6 X 1.00, Brs	1
	31	1061918	(00001-) Washer, Flat, 0.25b 0.47d .06, Brs	1
	32	07515	(00001-) Washer, Lock, Int, 0.25, Ss	1
	33	1219045	(00001-) Gasket, Cover, Circuitboard	1
	34	1222617	(00001-) Heatsink, Mtg, Circuitboard, Machined	1
	35	1020174	(00001-) Molding, Afmkt, Trim, Pvc, .08 .11, 03ft	1
	36	01685	(00001-) Washer, Flat, 0.38b 0.88d .08, Ss	2
	37	32984	(00001-) Washer, Lock, Int, 0.31	2
	38	386868	(00001-) Screw, Hex, M8 X 1.25 X 12, Ss	2
	39	1227812	(00001-) Bracket, Sma Connector	1
	40	1227815	(00001-) Spacer, Unthreaded, Aluminium	2
	41	1075195	(00001-) Harness, Ele, Adaptor [T300, Amii]	1
	42	222290	(00001-) Diode, Ele, Plug	1

▽ ASSEMBLY

▲ INCLUDED IN ASSEMBLY

ec-H2O SOLUTION GROUP

355433



ec-H2O SOLUTION GROUP

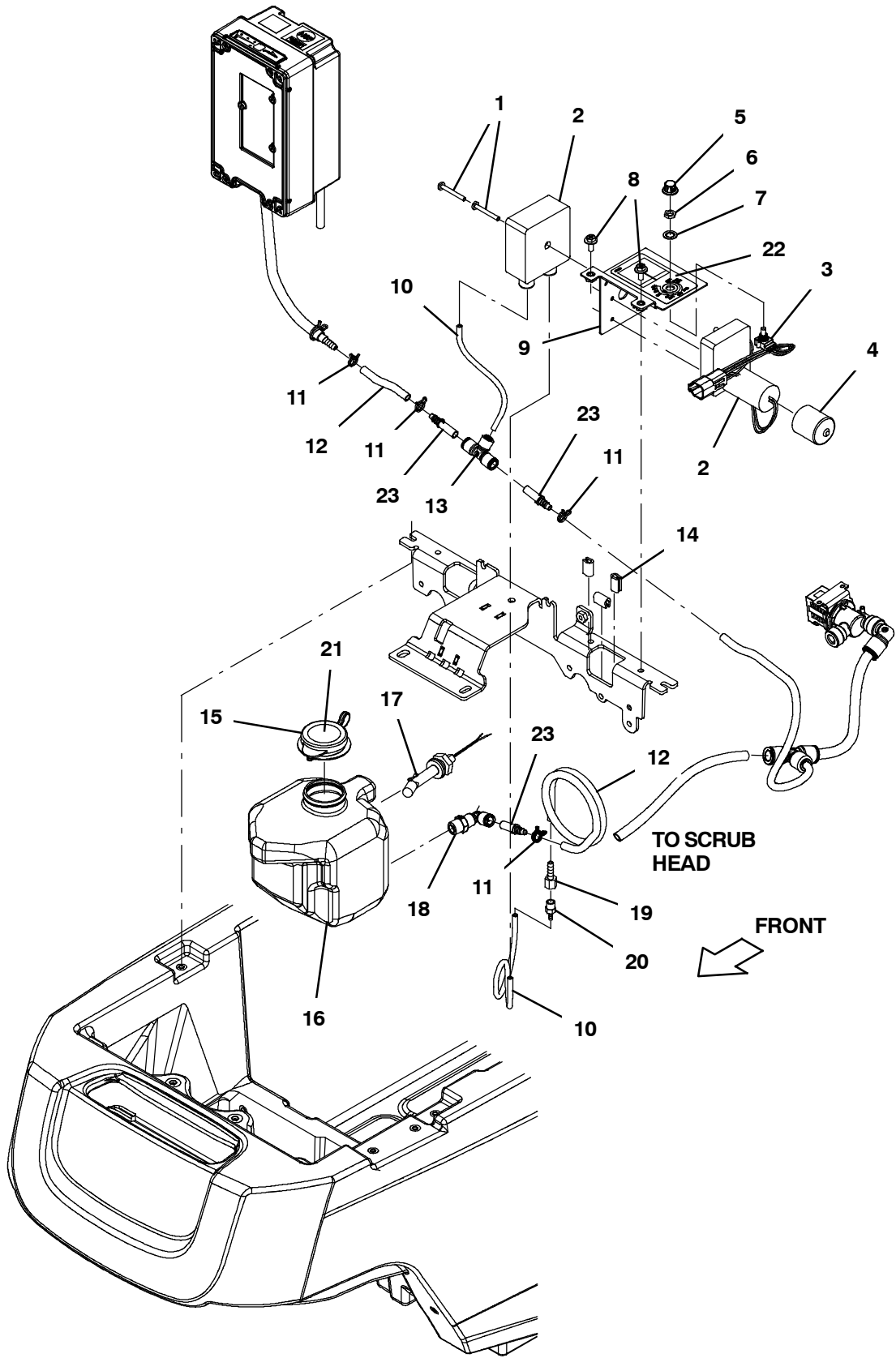
Ref.	Part No.	Serial Number	Description	Qty.
▽	1	9011810	(00001-) Module Kit, Replmt [Ec- H2o, B 02] (See Breakdowns)	1
▲	2	9013646	(00001-) Cartridge, Ec- H2o Nanoclean Wcm, 270ml	1
	3	1034731	(00001-) Screw, Hex, M6 X 1.00 X 16, Sems, Ss	4
	4	1215186	(00001-) Fitting, Plstc, E90, Qf06/Qm06	1
	5	9014146	(00001-) Hose, Afrmkt, Pvc, 0.06id .38od, 05ft	1
	6	1214339	(00001-) Fitting, Plstc, E90, Qfo4/Qm04	1
	7	9014147	(00001-) Hose, Afrmkt, Pvc, 0.06id .25od, 05ft	1
	8	1221926	(00001-) Bracket Wldt, Mtg, Ec- H20 [T500]	1
	9	1216973	(00001-) Pump Assy, Dispenser	1
	10	130773	(00001-) Tie, Cable, Nyl, 11.0l, .14w, 3.0 Max. D	3
	11	1212573	(00001-) Fitting, Plstc, Tee, Qf06/Qf06/Qf06	1
	12	9014148	(00001-) Hose, Afrmkt, Nat, 0.25id 0.375od, 06ft	1
	13	1212855	(00001-) Fitting, Plstc, Tee, Qf04/Qf06/Qf06	2
	14	1212856	(00001-) Fitting, Plstc, E90, Qf06/Qf06	1
	15	1215186	(00001-) Fitting, Plstc, E90, Qf06/Qm06	1
	16	1216185	(00001-) Fitting, Plstc, Str, Qm04/Pm02	1
	17	150307	(00001-) Fitting, Brs, Cplg, Pf02/Pf02	1
	18	1044414	(00001-) Switch, Press, 15psi, Pm02	1
	19	1215527	(00001-) Valve, Check, 1.0 Psi Qf06/Qf06	1
	20	1212809	(00001-) Fitting, Plstc, E90, Qf08/Qm08	1
	21	9014145	(00001-) Hose, Afrmkt, Pe, .375id .50od, 05ft	1
	22	1212875	(00001-) Fitting, Plstc, Tee, Qf06/Qf08/Qf08	1
	23	1014985	(00001-) Hose, Afrmkt, Pvc, Clr, 0.25id, 08ft	1
	24	1210517	(00001-) Pump, Soltn, Ele, 24vdc, 35 Psi	1
	25	43555	(00001-) Clamp, Hose, Wormdrive, 2.62- 3.50d	1
	26	1212812	(00001-) Fitting, Plstc, E90, Qf06/Pm06, Swivel	2
	27	1212875	(00001-) Fitting, Plstc, Tee, Qf06/Qf08/Qf08	1
	28	613735	(00001-) Clamp, Hose, Wir, .40 - .42, Yel	3
	29	1039557	(00001-) Fitting, Plstc, Str, Bm04/Bm06	1
	30	607775	(00001-) Clamp, Hose, Wir, .63 - .66, Blk	1
	31	1044393	(00001-) Switch, Rocker, Spst, Mom	1
	32	1064187	(00001-) Circuitbreaker, 10.0a, Resetable	1
	33	1064191	(00001-) Boot, Circuitbreaker	1
	34	1212857	(00001-) Fitting, Plstc, Str, Qm06/Bm04	2

▽ ASSEMBLY

▲ INCLUDED IN ASSEMBLY

SEVERE ENVIRONMENT SOLUTION GROUP

355436



SEVERE ENVIRONMENT SOLUTION GROUP

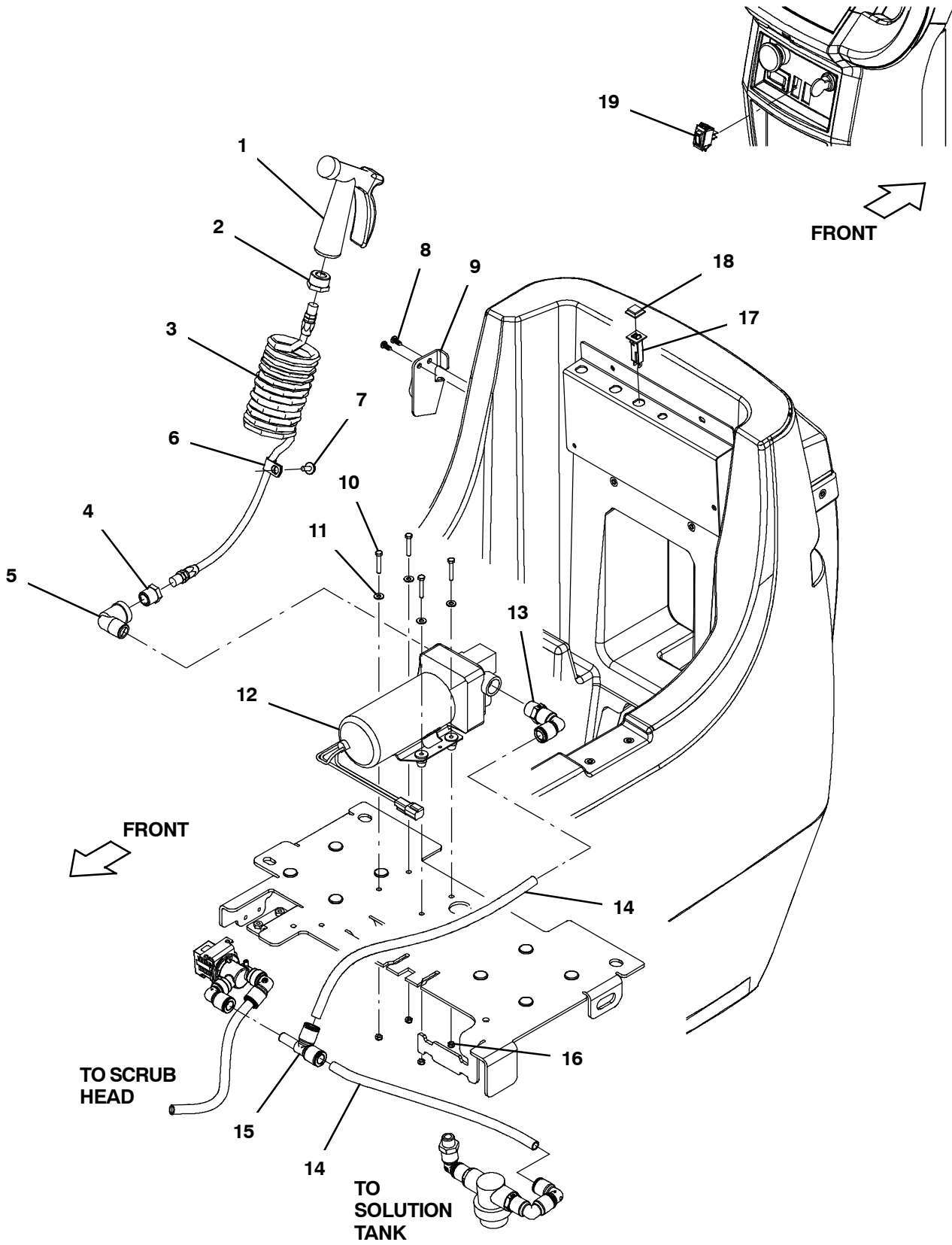
Ref.	Part No.	Serial Number	Description	Qty.
	1	17185	(00001-) Screw, Pan, Phl, M5 X 0.80 X 40, Ss	2
▽	2	1215698	(00001-) Pump Assy, Detgt, 24 Vdc [T300]	1
▲		1208721	(00001-) Pump, Detgt, 24vdc, 120rpm	1
▲		1219077	(00001-) Hose Kit, Detgt [0.5cc]	1
▲	3	1211775	(00001-) Potentiometer [5k, W/Leads And Conn.]	1
	4	605064	(00001-) Cap, Vinyl, 1.38 D 1.6l	1
	5	630265	(00001-) Knob, Rnd, 0.75d 0.50l 0.25b, Plstc	1
	6	222607	(00001-) Nut, Hex, Thin, .38- 32	1
	7	43953	(00001-) Washer, Lock, Int, 0.38, Ss	1
	8	1034731	(00001-) Screw, Hex, M6 X 1.00 X 16, Sems, Ss	2
	9	1221487	(00001-) Bracket Wldt, Pump, Detgt [T500]	1
	10	613461	(00001-) Hose, Pvc, Clr, 0.12id 0.25od 048.0l	1
	11	613735	(00001-) Clamp, Hose, Wir, .40 - .42, Yel	4
	12	1006415	(00001-) Hose, Afrmkt, Pvc, Clr, 0.25id, 03ft	1
	13	1212855	(00001-) Fitting, Plstc, Tee, Qf04/Qf06/Qf06	1
	14	1020168	(00001-) Molding, Afrmkt, Trim, Pvc, .08 .11, 01ft	1
	15	1224600	(00001-) Cap, Snap, 2.17d [Blue]	1
	16	1217453	(00001-) Tank [2.5 Liter]	1
	17	1212430	(00001-) Sensor, Level, Liq, 30watt, Spst	1
	18	1212812	(00001-) Fitting, Plstc, E90, Qf06/Pm06, Swivel	1
	19	150520	(00001-) Fitting, Brs, Str, Bm04/Pf02	1
	20	150524	(00001-) Fitting, Brs, Str, Bm02/Pm02	1
	21	1224989	(00001-) Label, Detergent Metering Tank	1
	22	1210440	(00001-) Label, Opertnl, Detergent Metering	1
	23	1212857	(00001-) Fitting, Plstc, Str, Qm06/Bm04	3

▽ ASSEMBLY

▲ INCLUDED IN ASSEMBLY

RECOVERY TANK RINSE KIT

355431



RECOVERY TANK RINSE KIT

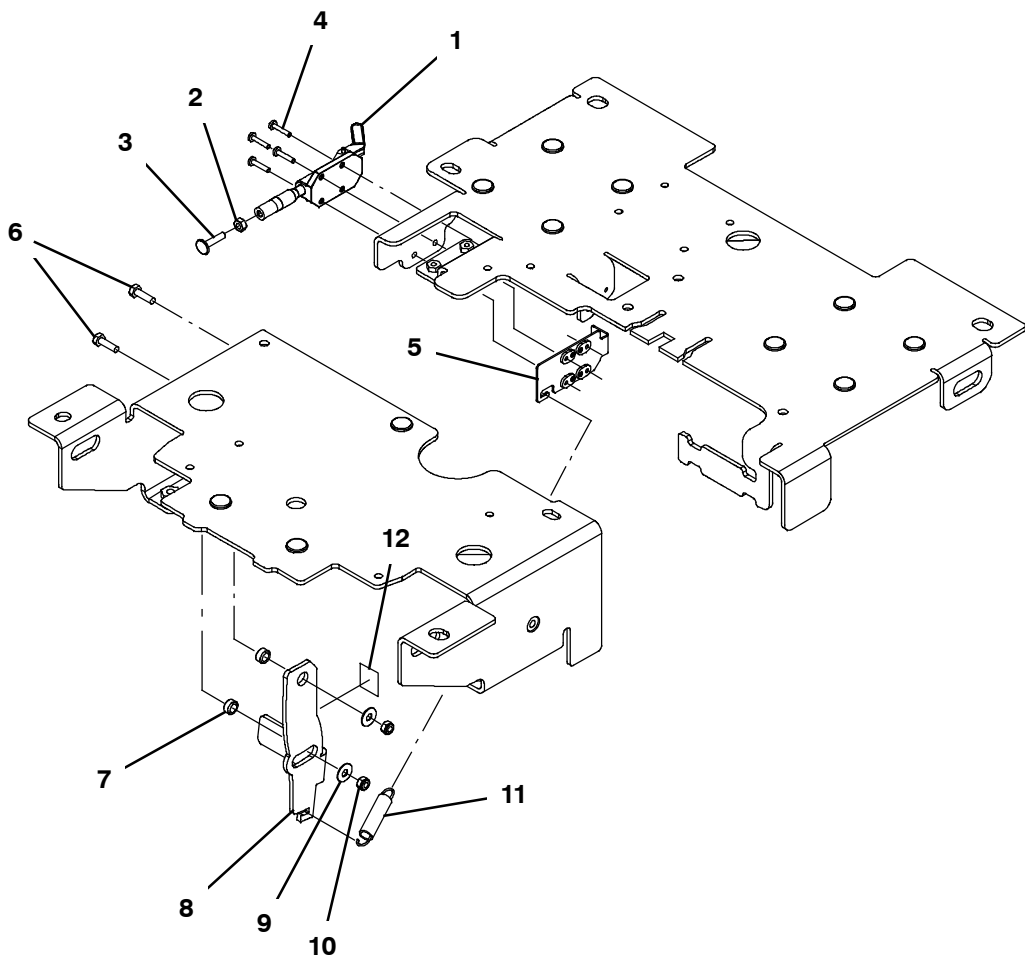
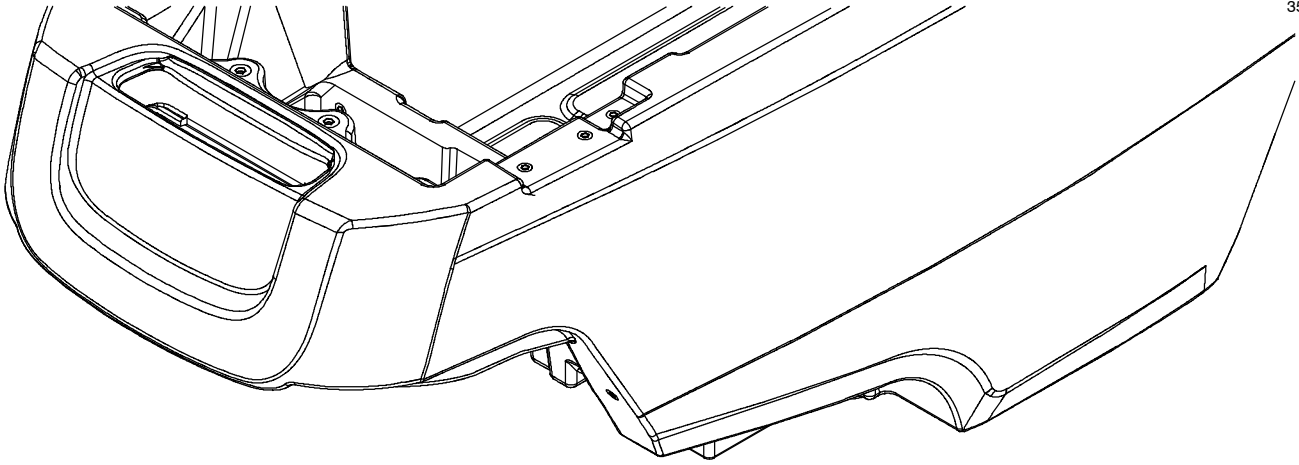
Ref.	Part No.	Serial Number	Description	Qty.
▽	9015481	(00001-) Rinse Kit, Tank, Rec [T500] , Ci	1
▲	1 769785	(00001-) Nozzle, Spray, Hand	1
▲	2 1220554	(00001-) Fitting, Brs, Str, Pf04/Garden Hose	1
▲	3 160132	(00001-) Hose Assy, 0.25id X 12ft Coil	1
▲	4 1220546	(00001-) Fitting, Brs, Str, Pm08/Pf04	1
▲	5 1220131	(00001-) Fitting, Plstc, E90, 1/2" Npt Male- Femal	1
▲	6 40678	(00001-) Clamp, Cable, Stl, 0.44d X 0.62w, 1hole	1
▲	7 1034731	(00001-) Screw, Hex, M6 X 1.00 X 16, Sems, Ss	1
▲	8 1018155	(00001-) Screw, Pan, Phl, M5 X 0.80 X 16, Tcut,Ss	2
▲	9 1227293	(00001-) Bracket, Hanger, Hose	1
▲	10 1228033	(00001-) Screw, Hex, M5 X 0.80 X 30, Ss	4
▲	11 01683	(00001-) Washer, Flat, 10, Ss	4
▲	12 1220123	(00001-) Pump, Soltn, Ele, 24 Vdc, 60 Psi, 4 Gpm	1
▲	13 1212764	(00001-) Fitting, Plstc, E90, Qf08/Pm08, Swivel	1
▲	14 9014145	(00001-) Hose, Afrmkt, Pe, .375id .50od, 05ft	1
▲	15 1212806	(00001-) Fitting, Plstc, Tee, Qf08/Qf08/Qm08	1
▲	16 09739	(00001-) Nut, Hex, Lock, M5 X 0.80, NI, Ss	4
▲	17 1064188	(00001-) Circuitbreaker, 15.0a, Resetable	1
▲	18 1064191	(00001-) Boot, Circuitbreaker	1
▲	19 1044393	(00001-) Switch, Rocker, Spst, Mom	1

▽ ASSEMBLY

▲ INCLUDED IN ASSEMBLY

PARKING BRAKE GROUP

355420

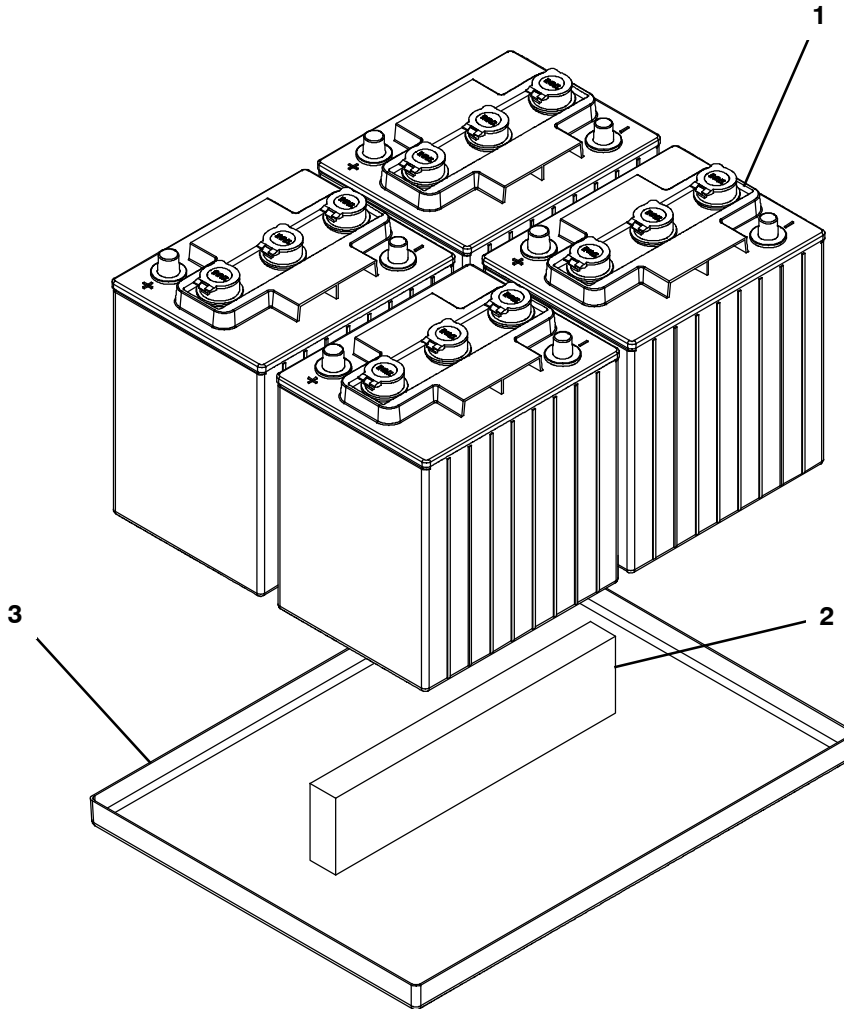


PARKING BRAKE GROUP

Ref.	Part No.	Serial Number	Description	Qty.
1	1221694	(00001-) Clamp, Brake, Parking [T500]	1
2	07785	(00001-) Nut, Hex, Std, M6 X 1.00, Ss	1
3	1017416	(00001-) Screw, Weld, M6 X 1.00 X 25, Thru, Ss	1
4	12323	(00001-) Screw, Pan, Phl, M4 X 0.70 X 20, Ss	4
5	1221695	(00001-) Plate Wldt, Brake [T500]	1
6	08716	(00001-) Screw, Hex, M6 X 1.00 X 20, Ss	2
7	360801	(00001-) Sleeve, 0.32b 0.50d 0.3l, 2cham, Ss	2
8	1221423	(00001-) Shoe, Brake, Parking	1
9	01684	(00001-) Washer, Flat, 0.27b 0.69d .05, Ss	2
10	08712	(00001-) Nut, Hex, Lock, M6 X 1.00, NI, Ss	2
11	75575	(00001-) Spring, Extn, 0.50od 0.06wir 02.5l	1
12	1224990	(00001-) Label, Opertnl, Parking Brake	1

BATTERY GROUP, WET 210AH

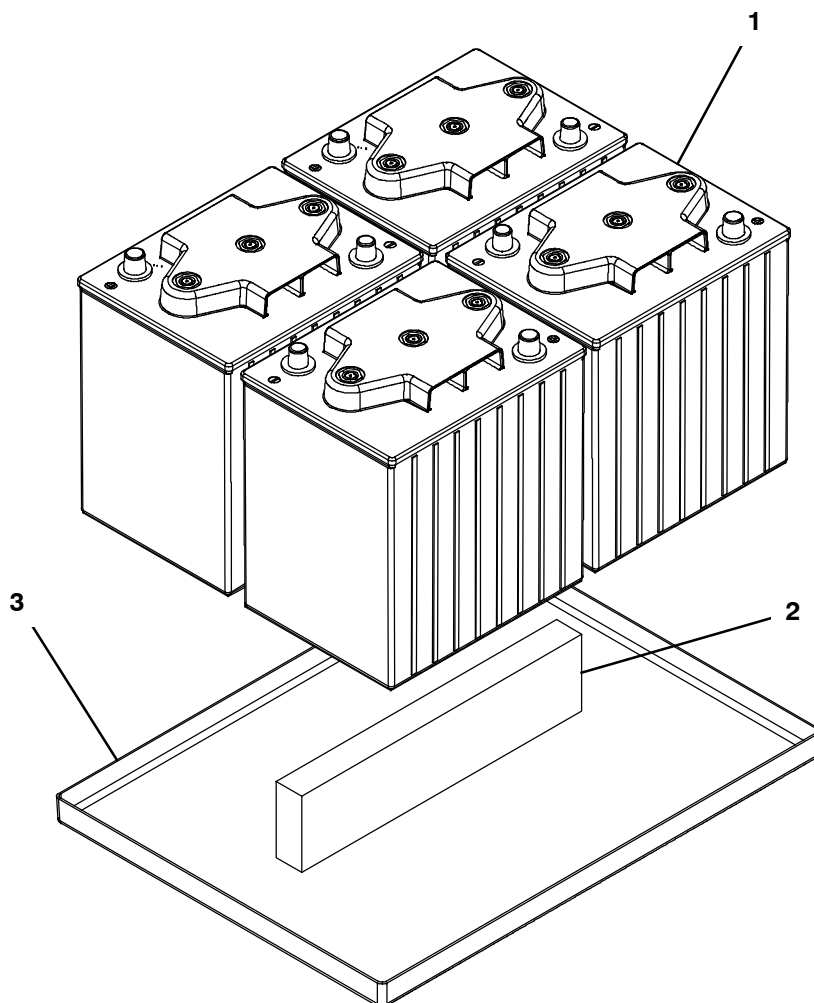
355451



Ref.	Part No.	Serial Number	Description	Qty.
1	1214519	(00001-) Battery, Wet, 6vdc, 210ah	4
2	630375	(00001-) Spacer, Battery, Foam, 1.25 X 3.3 X 13.7	1
3	1024874	(00001-) Tray, Battery [Eu, T5]	1

BATTERY GROUP, MAINTENANCE-FREE 180AH

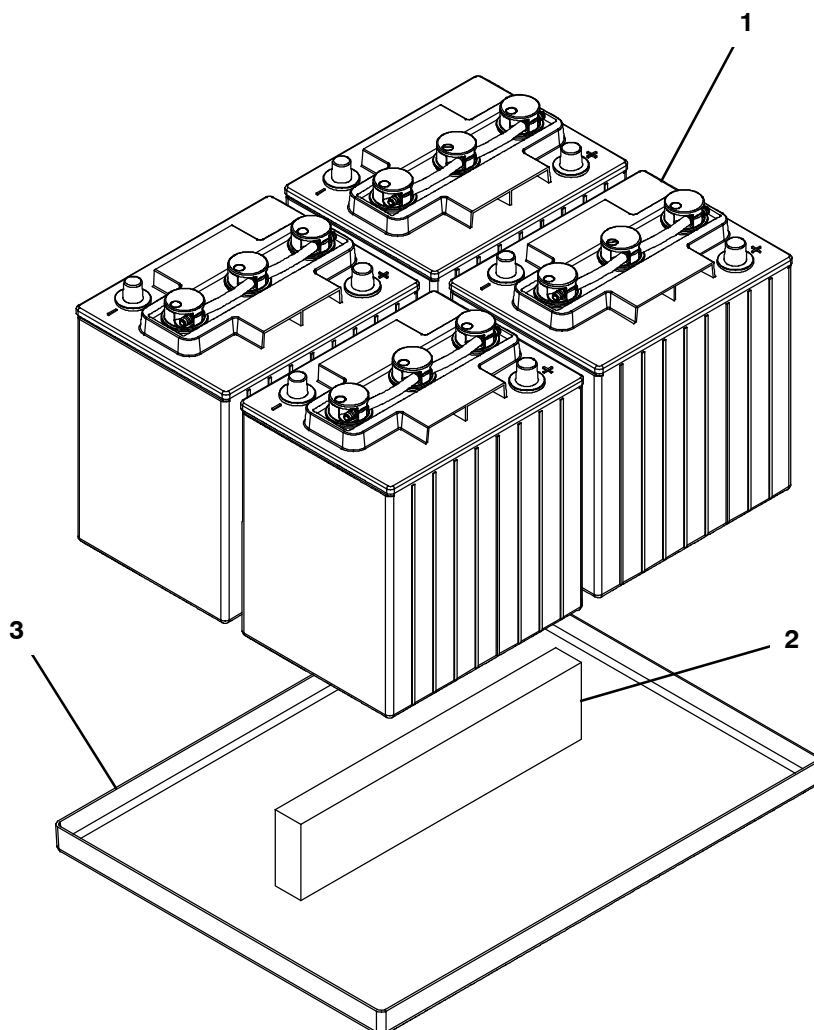
355449



Ref.	Part No.	Serial Number	Description	Qty.
1	994203	(00001-) Battery, 06vdc 0180ah [5h,Gf06180]	4
2	630375	(00001-) Spacer, Battery, Foam, 1.25 X 3.3 X 13.7	1
3	1024874	(00001-) Tray, Battery [Eu, T5]	1

BATTERY GROUP, WET 210AH BFS

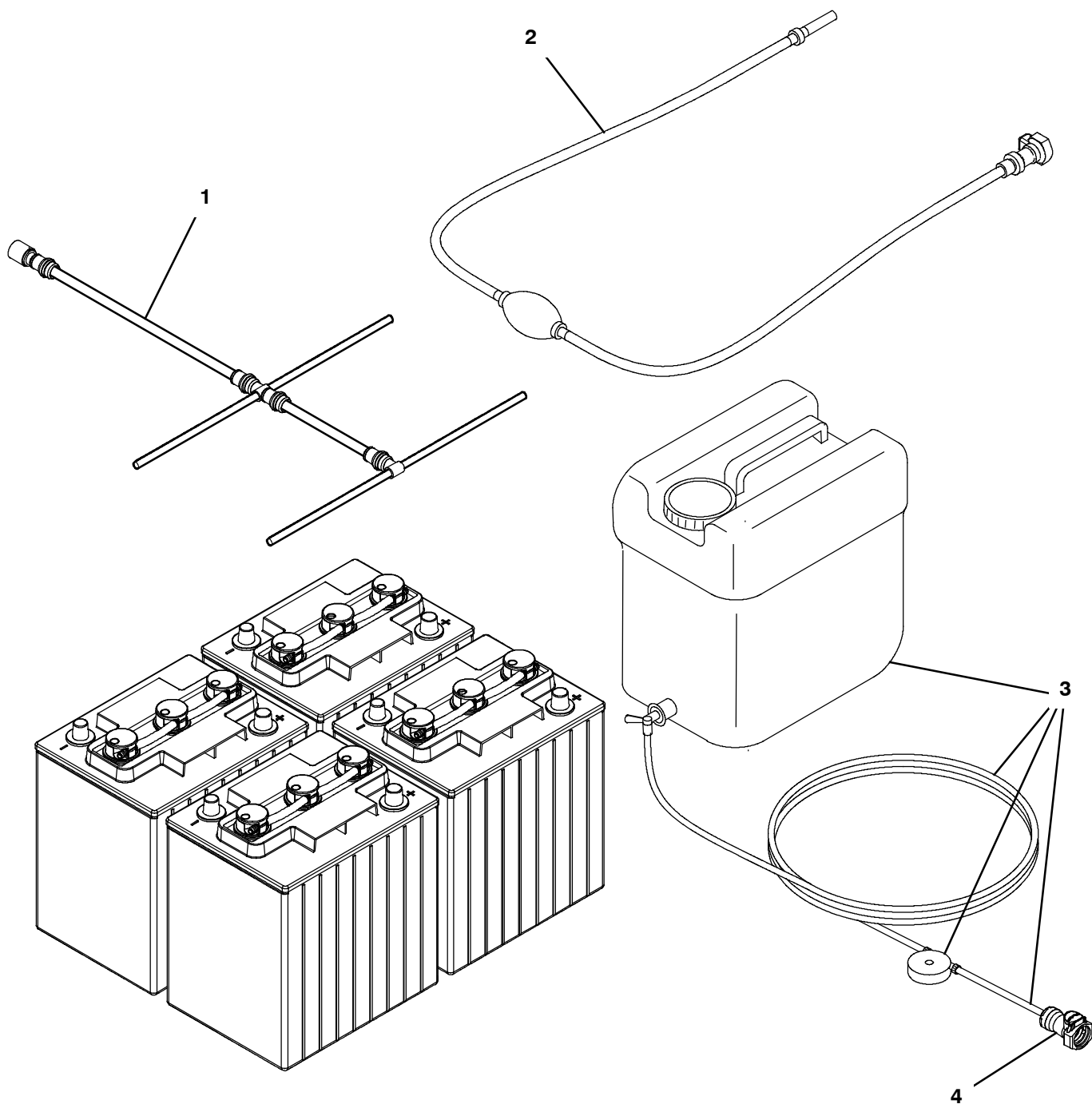
355532



Ref.	Part No.	Serial Number	Description	Qty.
1	1226484	(00001-) Battery, Wet, 6vdc, 210 Ah C/5, Bfs	4
2	630375	(00001-) Spacer, Battery, Foam, 1.25 X 3.3 X 13.7	1
3	1024874	(00001-) Tray, Battery [Eu, T5]	1

MANUAL BATTERY WATERING GROUP

355531

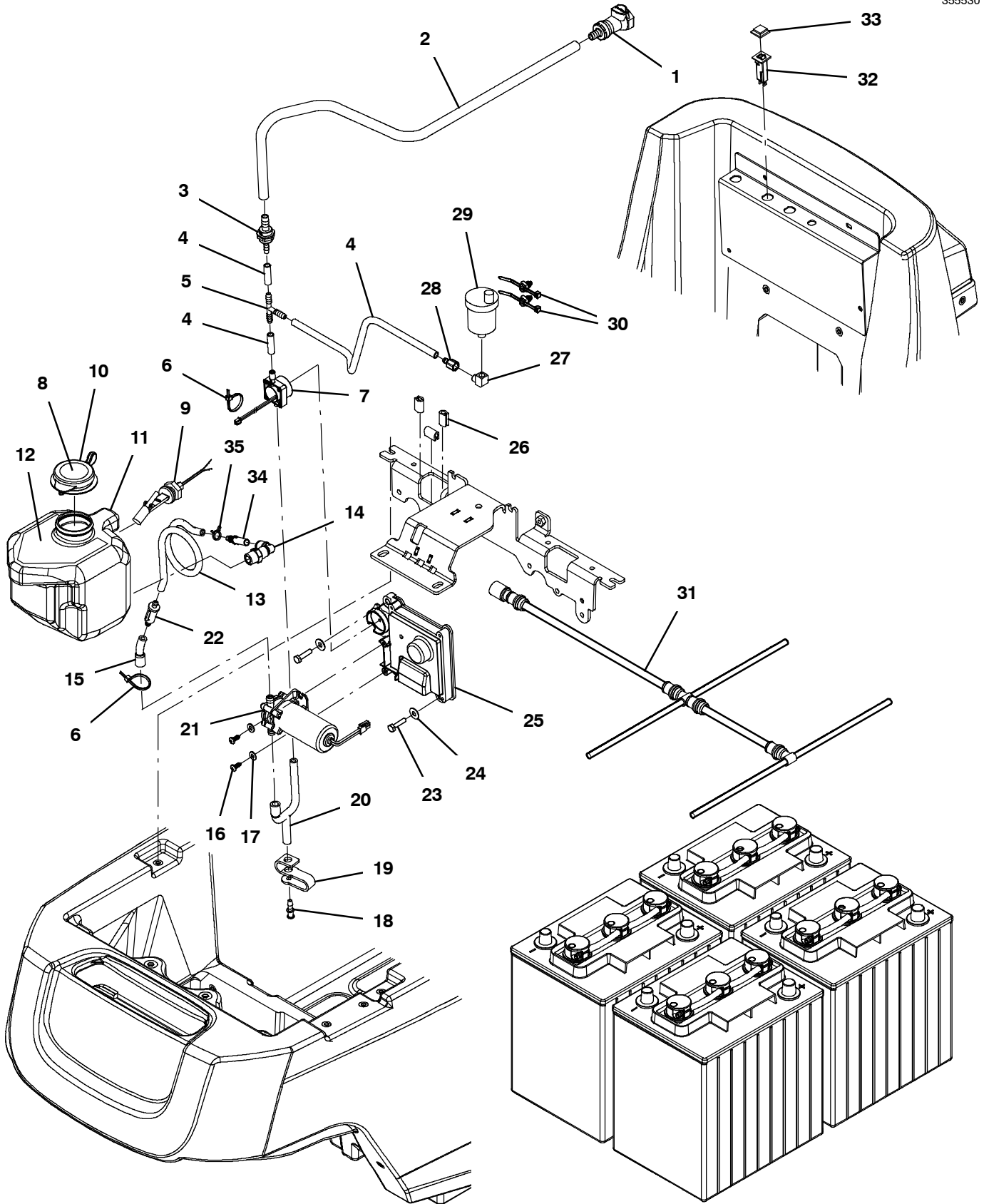


Ref.	Part No.	Serial Number	Description	Qty.
1	1228003	(00001-) Battery Watering Kit, Bfs, Tab	1
2	1058939	(00001-) Pump Kit, Fill, Hand, Battery	1
3	1072526	(00001-) Tank, Water, 30.0l, Battery Fill Sys (Note: Also Order Item #4 - Fitting Not Included)	1
4	1221589	(00001-) Fitting, Plstc, Str, Bm06, Cplg, Fem[HI]	1

NOTE: FOR USE WITH 1226484 WET BFS BATTERIES ONLY.

SMART-FILL™ AUTOMATIC BATTERY WATERING GROUP

355530



SMART-FILL™ AUTOMATIC BATTERY WATERING GROUP

Ref.	Part No.	Serial Number	Description	Qty.
1	1221589	(00001-) Fitting, Plstc, Str, Bm06, Cplg, Fem[HI]	1
2	1006416	(00001-) Hose, Afrmkt, Pvc, Clr, 0.38id, 03ft	1
3	1225185	(00001-) Valve, Check, 0002psi Bm04/Bm06	1
4	1006415	(00001-) Hose, Afrmkt, Pvc, Clr, 0.25id, 03ft	1
5	150713	(00001-) Fitting, Plstc, Tee, Bm04/Bm04/Bm04	1
6	130773	(00001-) Tie, Cable, Nyl, 11.0l, .14w, 3.0 Max. D	2
7	1222371	(00001-) Sensor, Flow, Hall Effect, 5- 24vdc	1
8	1224988	(00001-) Label, Automated Battery Watering	1
9	1212430	(00001-) Sensor, Level, Liq, 30watt, Spst	1
10	1224600	(00001-) Cap, Snap, 2.17d [Blue]	1
11	1217453	(00001-) Tank [2.5 Liter]	1
12	1228813	(00001-) Label, Warning, No Detgt	1
13	1006415	(00001-) Hose, Afrmkt, Pvc, Clr, 0.25id, 03ft	1
14	1212812	(00001-) Fitting, Plstc, E90, Qf06/Pm06, Swivel	1
15	1224108	(00001-) Hose, Mold, Bm04/Bm06	1
16	1018155	(00001-) Screw, Pan, Phl, M5 X 0.80 X 16, Tcut, Ss	2
17	01683	(00001-) Washer, Flat, 10, Ss	2
18	1228042	(00001-) Fitting, Plstc, Cap, Bm03 [T500]	1
19	1228043	(00001-) Strap, Retaining, Cap [T500]	1
20	1224016	(00001-) Hose, Molded, Bm04/Bm06	1
21	1220042	(00001-) Pump, Fill, Battery	1
22	1222924	(00001-) Filter, In- Line, Bm04/Bm04, 100mic, 2.0l	1
23	1016005	(00001-) Screw, Hex, M6 X 1.00 X 25, NI, FI, Ss	2
24	01684	(00001-) Washer, Flat, 0.27b 0.69d .05, Ss	2
25	9018008	(00001-) Kit, Module, Abw, Ci (See Breakdowns)	1
26	1020168	(00001-) Molding, Afrmkt, Trim, Pvc, .08 .11, 01ft	1
27	150407	(00001-) Fitting, Brs, E90, Pf02/Pm02 [Street]	1
28	1040254	(00001-) Fitting, Brs, Str, Bm04/Pf02	1
29	1017386	(00001-) Valve, Vent, Air, Float Type	1
30	1210807	(00001-) Wire, Tie [W/.25" Fir Tree Clip]	2
31	1228003	(00001-) Battery Watering Kit, Bfs, Tab	1
32	1064187	(00001-) Circuitbreaker, 10.0a, Resetable	1
33	1064191	(00001-) Boot, Circuitbreaker	1
34	1212857	(00001-) Fitting, Plstc, Str, Qm06/Bm04	1
35	613735	(00001-) Clamp, Hose, Wir, .40 - .42, Yel	1

NOTE: FOR USE WITH 1226484 WET BFS BATTERIES ONLY.

OPTIONS

DOCUMENTATION GROUP

Ref.	Part No.	Serial Number	Description	Qty.
	9015530	(00001-) Manual, Parts [T500, Ce]	1
	9015531	(00001-) Manual, Oprtr [T500, En, Ce/Intl]	1
	9015532	(00001-) Manual, Oprtr [T500, De, Ce]	1
	9015533	(00001-) Manual, Oprtr [T500, Fr, Ce]	1
	9015534	(00001-) Manual, Oprtr [T500, Ni, Ce]	1
	9015535	(00001-) Manual, Oprtr [T500, Es, Ce]	1
	9015536	(00001-) Manual, Oprtr [T500, It, Ce]	1
	9015537	(00001-) Manual, Oprtr [T500, Se, Ce]	1
	9015538	(00001-) Manual, Oprtr [T500, Dk, Ce]	1
	9015539	(00001-) Manual, Oprtr [T500, No, Ce]	1
	9015540	(00001-) Manual, Oprtr [T500, Fi, Ce]	1
	9015541	(00001-) Manual, Oprtr [T500, Pt, Ce]	1
	9015542	(00001-) Manual, Oprtr [T500, Pl, Ce]	1
	9015543	(00001-) Manual, Oprtr [T500, Cz, Ce]	1
	9015544	(00001-) Manual, Oprtr [T500, Hu, Ce]	1
	9015545	(00001-) Manual, Oprtr [T500, Gr, Ce]	1
	9015546	(00001-) Manual, Oprtr [T500, Ru, Ce]	1
	9015547	(00001-) Manual, Oprtr [T500, Tr, Ce]	1
	9015548	(00001-) Manual, Oprtr [T500, Sk, Ce]	1
	9015549	(00001-) Manual, Oprtr [T500, Sl, Ce]	1
	9015550	(00001-) Manual, Oprtr [T500, Lv, Ce]	1
	9015551	(00001-) Manual, Oprtr [T500, Lt, Ce]	1
	9015552	(00001-) Manual, Oprtr [T500, Ee, Ce]	1
	9015553	(00001-) Manual, Oprtr [T500, Bg, Ce]	1
	9015554	(00001-) Manual, Oprtr [T500, Ro, Ce]	1
	9015555	(00001-) Manual, Oprtr [T500, Hr, Ce]	1
	9015524	(00001-) Instr, Wall Chart [T500, Ce/Intl]	1
	9015504	(00001-) Manual, Service [T500, En]	1

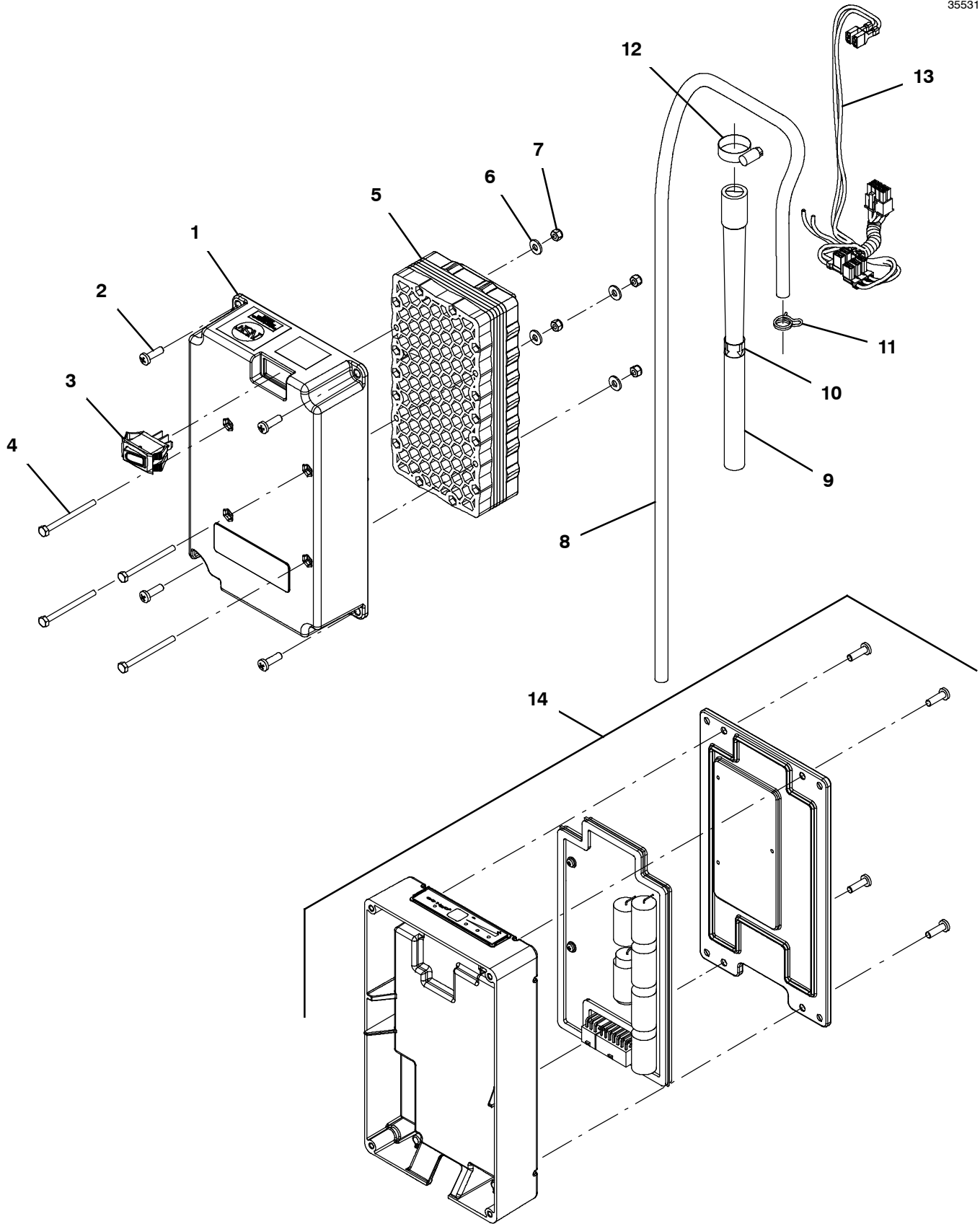


To view, print, order, download the latest Parts manual, other language Operator manuals, and Use and Care Guides (wall charts), visit:

www.tennantco.com/manual

ec- H2O NANOCLEAN MODULE BREAKDOWN

355317



ec- H2O NANOCLEAN MODULE BREAKDOWN

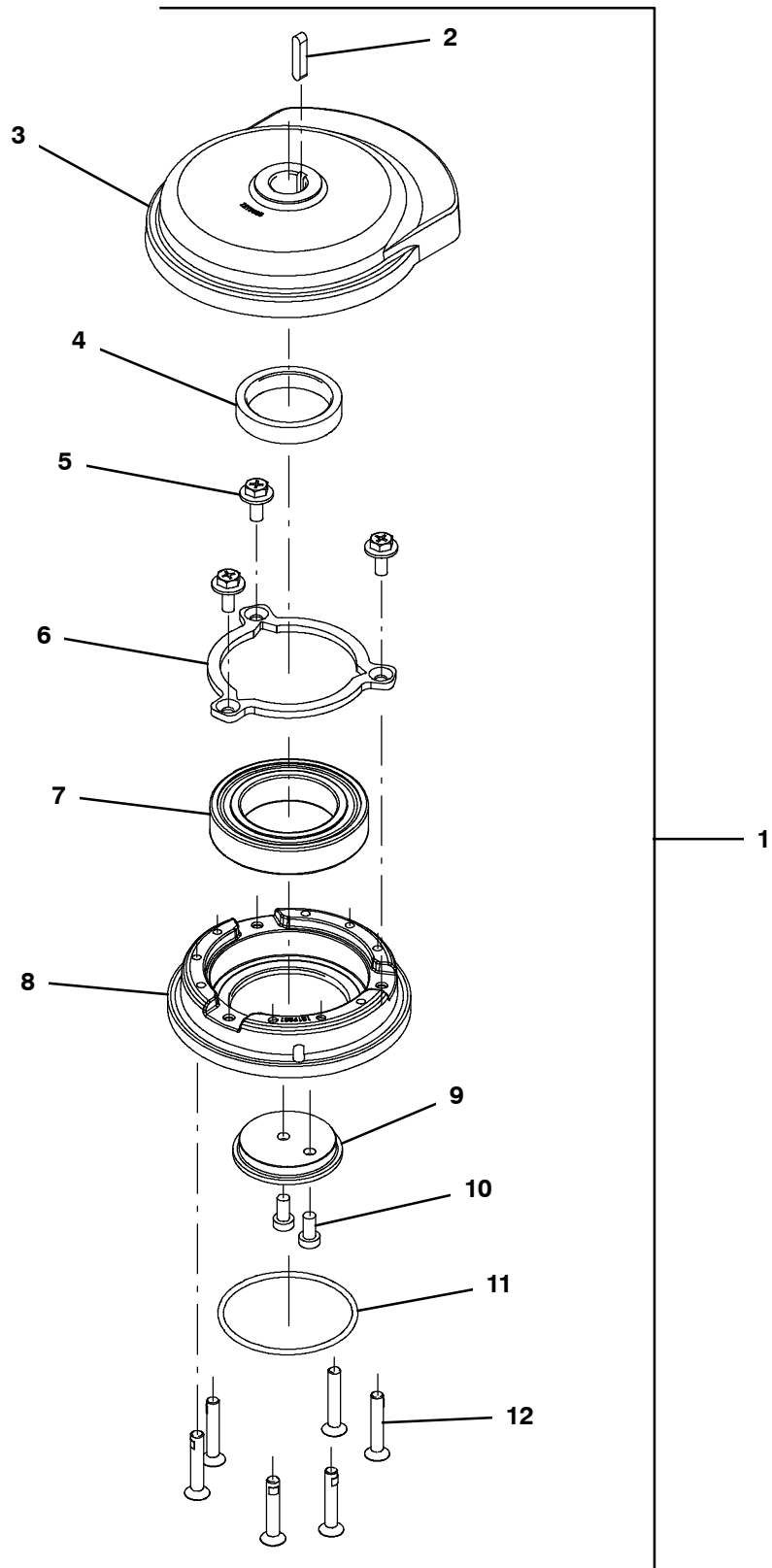
Ref.	Part No.	Serial Number	Description	Qty.
▽	9011810	(00001-) Module Kit, Replmt [Ec- H2o, B 02] (Includes ec- H2O NanoClean Cartridge)	1
▲▽	9014126	(00001-) Ec- H2o Nc Kit [Module B, Plumbing]	1
▲▲	1 1208823	(00001-) Housing, Module, Upper, Ec- H2o	1
▲▲	2 1015506	(00001-) Screw, Pan, Phl, M5 X 16, Tcut [Plastic]	4
▲▲	3 1044393	(00001-) Switch, Rocker, Spst, Mom	1
▲▲	4 32509	(00001-) Screw, Hex, M4 X 0.70 X 50, Ss	4
▲▲	5 1208164	(00001-) Electrode, 5 Plate, High Flow	1
▲▲	6 41579	(00001-) Washer, Flat, 08, Ss	4
▲▲	7 33932	(00001-) Nut, Hex, Lock, M4 X 0.70, NI, Ss	4
▲▲	8 1006415	(00001-) Hose, Afmkt, Pvc, Clr, 0.25id, 03ft	1
▲▲	9 1208526	(00001-) Hose, Molded, Bm08/Bm06	1
▲▲	10 1049637	(00001-) Label, Direction [Ec- H2o]	1
▲▲	11 613735	(00001-) Clamp, Hose, Wir, .40 - .42, Yel	1
▲▲	12 54333	(00001-) Clamp, Hose, Wormdrive, 0.31- 0.88d, .31w	1
▲▲	13 1073286	(00001-) Harness, Ele, Module B2 [Ec- H2o]	1
▲	14 9014127	(00001-) Controller Kit, Replmt [Ec- H2o Nc] (Includes ec- H2O NanoClean Cartridge)	1

▽ ASSEMBLY

▲ INCLUDED IN ASSEMBLY

ORBITAL HEAD ECCENTRIC DRIVE BREAKDOWN

355477



ORBITAL HEAD ECCENTRIC DRIVE BREAKDOWN

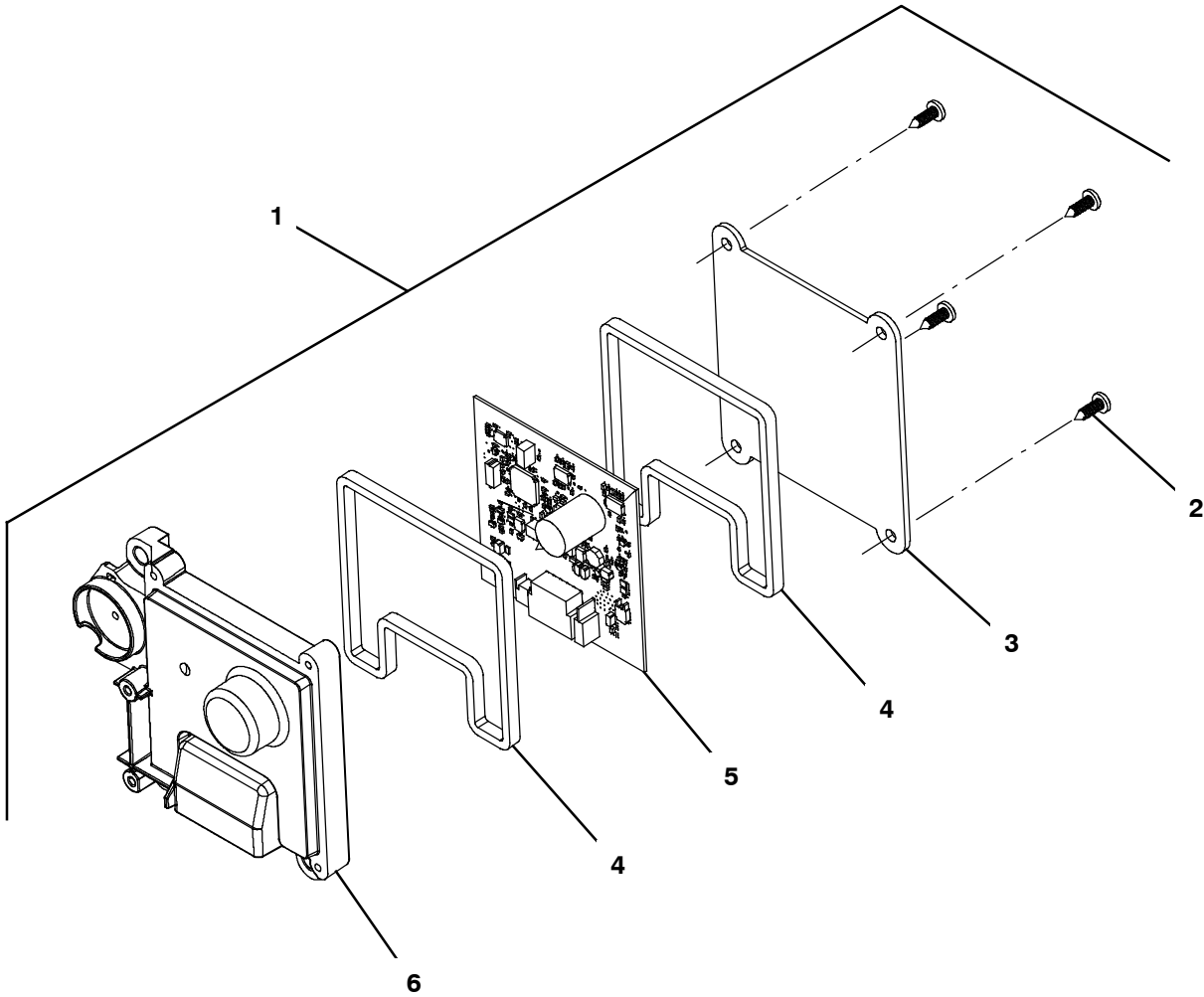
Ref.	Part No.	Serial Number	Description	Qty.
▽	1	9015774	(00001-) Eccentric Drive Kit, Orbital	1
▲	2	1231238	(00001-) Key, Sq, 5mm X 5mm X 22mm	1
▲	3	N/A	(00001-) Balance, Eccentric, Step [Machined]	1
▲	4	N/A	(00001-) Spacer, Eccentric	1
▲	5	N/A	(00001-) Screw, Hex, M6 X 1.00 X 16, Sems	3
▲	6	N/A	(00001-) Plate, Retainer, Brg, Outer	1
▲	7	1220452	(00001-) Bearing, Ball, 2.17b 3.54d .71w	1
▲	8	N/A	(00001-) Housing, Bearing, Outer [Machined]	1
▲	9	N/A	(00001-) Retainer, Bearing, Inner [Qpq]	1
▲	10	N/A	(00001-) Screw, Soc, M6 X 1.00 X 12, 8.8, Low	2
▲	11	1221394	(00001-) Seal, Org, .125 X 02.63id	1
▲	12	1212710	(00001-) Screw, Flt, Soc, M6 X 1.00 X 35, 10.9,NI	6

▽ ASSEMBLY

▲ INCLUDED IN ASSEMBLY

AUTOMATIC BATTERY WATERING MODULE BREAKDOWN

355564



Ref.	Part No.	Serial Number	Description	Qty.
▽ 1	9018008	(00001-) Kit, Module, Abw, Ci	1
▲ 2	1018155	(00001-) Screw, Pan, Phl, M5 X 0.80 X 16, Tcut,Ss	4
▲ 3	1223055	(00001-) Panel, Mtg, Fill, Auto, Battery	1
▲ 4	1223286	(00001-) Seal, Cover, Board, Battery Watering	2
▲ 5	1220931	(00001-) Circuitboard Assy [Abw Module]	1
▲ 6	1223261	(00001-) Cover, Circuitboard, Battery Watering	1

▽ ASSEMBLY

▲ INCLUDED IN ASSEMBLY

